

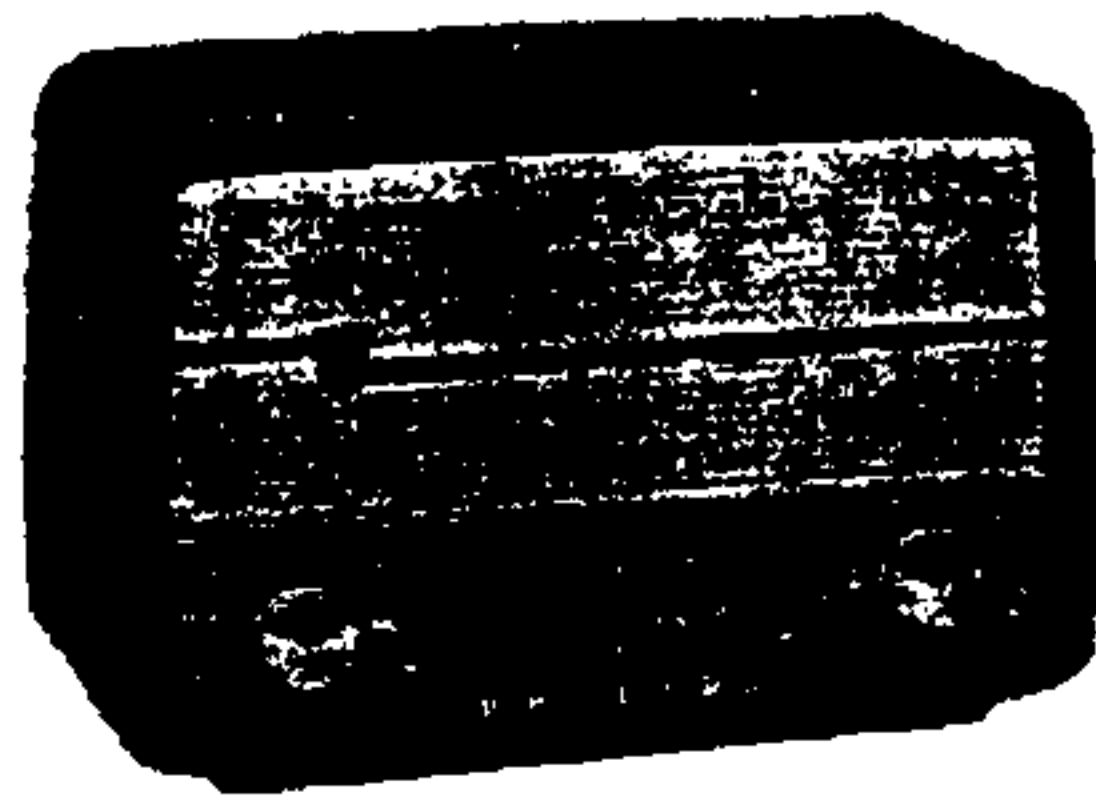
# PHILIPS RADIOPLAYER

## MODEL 166

### SPECIFICATIONS

(Subject to alteration without notice)

Power Supply	.....	200-250V, 40-50 c/s.
Tuning Range	.....	530-1620 kc/s.
Intermediate Frequency	.....	455 kc/s.
Cabinet	.....	Bakelite mantel



### VALVE EQUIPMENT AND VOLTAGE ANALYSIS

Valve Function	Valve No.	Valve Type	Plate Volts	Screen Volts	Osc. P. Volts
Frequency Converter	V1	6AN7	210	55	55
I.F. Amplifier, Demodulator and A.V.C.	V2	6N8	210	55	—
Power Amplifier	V3	6M5	208	210	—
Rectifier	V4	6V4	V4 cathode — L13 C.T., 232V.		
Dial Lamp	V11	6.3V, 0.32A tubular screw			
Voltage across R13, -6.7V					

NOTE: These voltages are measured with an "1,000 ohms per volt" meter and may vary  $\pm 10\%$  from the figures quoted. They are measured from the socket points indicated to chassis or across the resistors listed. The receiver should be in a "no signal" condition.

#### TO REMOVE CHASSIS FROM CABINET.

Remove the power plug from the wall outlet socket. Pull the control knobs from their spindles. Remove the combined back and bottom cover. Unsolder the speaker voice coil connections from the lug strip alongside the output transformer. Unwind the dial cursor from the dial drive cord.

The chassis is held to the cabinet by two screws at the rear. Removal of these two screws and the associated mounting brackets and packing pieces allows the chassis to be withdrawn from the cabinet leaving the speaker and dial scale in the cabinet.

The chassis may be replaced by a reversal of the above procedure.

#### DIAL SCALE REMOVAL.

The dial scale is removed from the front of the cabinet. The control knobs must first be withdrawn. In removing the dial scale securing screws, care must be taken to ensure that damage is not caused to the scale by tools.

#### ALIGNMENT.

By making use of short length tools, alignment can be undertaken with the chassis in the cabinet.

I.F. transformer adjustments are:—

2nd I.F.T.—

Secondary — front screw

Primary — rear screw

1st I.F.T.—

Secondary — screw nearer 6N8

Primary — screw nearer 6AN7

Before commencing R.F. alignment, fully close the tuning capacitor and set the dial cursor to the stop mark which will be found at the bottom of the dial scale at the low frequency end. Use an 100 pF capacitor as dummy aerial for R.F. alignment. Trimming adjustments are: oscillator trimmer (1,420 kc/s, 3XY) front of tuning capacitor, aerial trimmer (1,420 kc/s) rear of tuning capacitor, padding 600 kc/s, 7ZL) iron core in oscillator coil.

In the event of replacement of the oscillator coil, it is advisable to make a preliminary peaking of the iron core at 600 kc/s before commencing alignment.

No attempt should be made to adjust the aerial coil iron core.

#### MAINS VOLTAGE ADJUSTMENT.

The power transformer is provided with two primary winding tapings—200/230 volts and 240/250 volts—for adjustment of the receiver to the supply voltage at the point of installation. The receiver is adjusted at the factory to the 240/250 volts tapping.

#### DIAL CALIBRATION ADJUSTMENT.

If dial calibrations are incorrect over the dial scale by an equal amount, the error can be corrected by sliding the cursor on the dial cord to the correct position.

Published by Philips Electrical Industries Pty. Limited

Sydney — Melbourne — Brisbane — Adelaide — Perth — Hobart

## CAPACITORS

No.	Description	Code No.
C1	100pF mica	
C2, 3, 4, 5	2 gang tuning and trimmers	CZ.107.756
C6	330 pF mica 2%	CZ.066.124
C7, 8, 11, 12	Part of I.F. transformers	
C9	0.047 mF 400V paper	
C10, 14	0.047 mF 200V paper	
C13	220 pF mica	
C15	0.22 mF 100V paper	
C16	0.01 mF 400V paper	
C17, 18	24 mF 350V electrolytic	

All tolerances are 20% unless otherwise stated.

## RESISTORS

No.	Description	Code No.
R1	22,000 ohms 1/2W carbon	
R2, 3	47,000 ohms 1W carbon	
R4, 8	2.2 megohms 1/2W carbon	
R5	560,000 ohms 1/2W carbon 10%	
R6, 7	0.5 megohm carbon potentiometer with stop at 100,000 ohms and S.P.S.T. switch	CZ.032.019
R9, 10	470,000 ohms 1/2W carbon	
R11	47,000 ohms 1/2W carbon	
R12	1,000 ohms 1W carbon	
R13	160 ohms 1W W/W 10%	

All tolerances are 20% unless otherwise stated.

## COILS

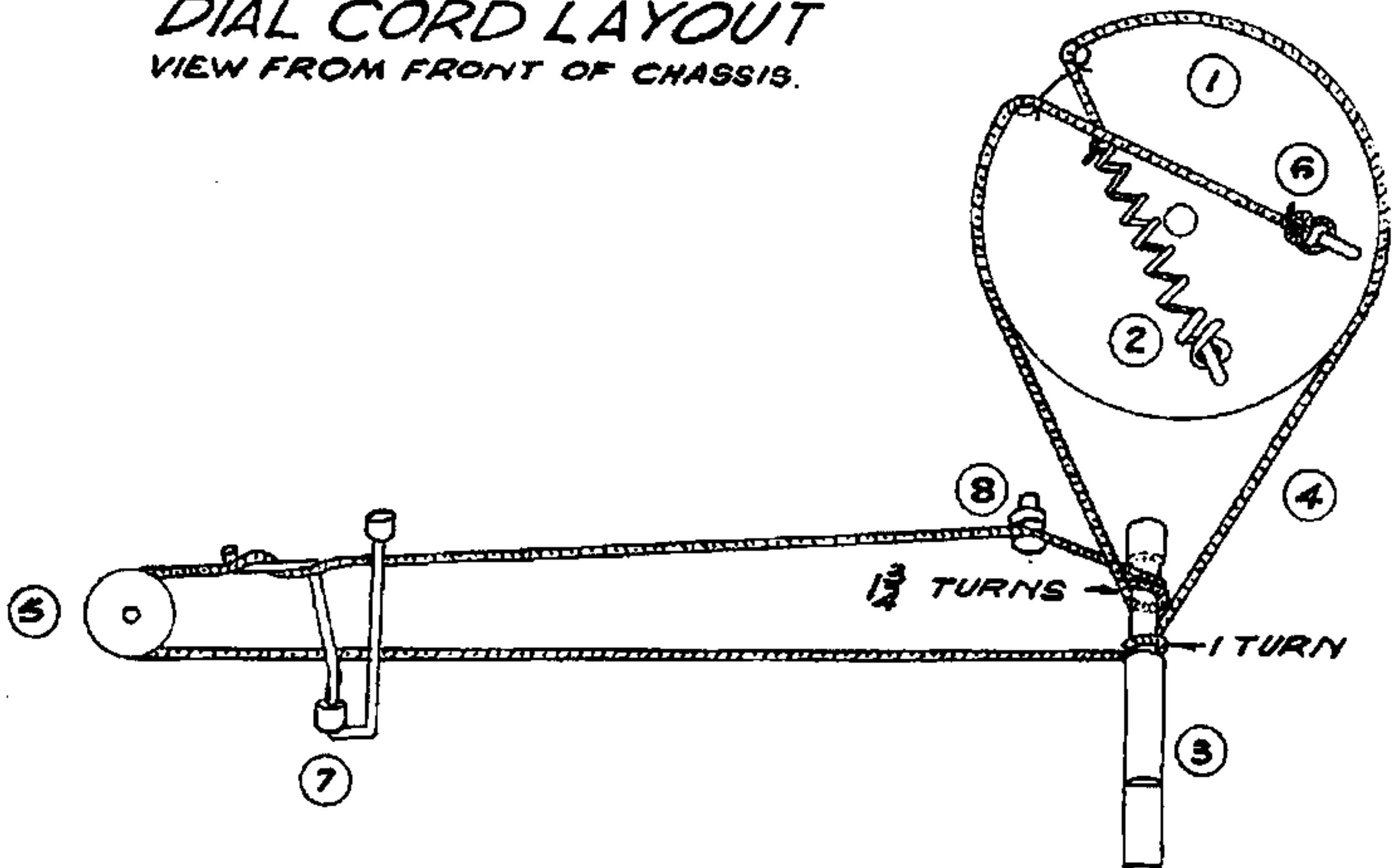
No.	Ohms	Description	Code No.
L1	24.0-32.5	Aerial coil	CZ.323.019
L2	2.0-3.0		
L3	1.0-2.0	Oscillator coil	CZ.330.606
L4	3.5-5.0		
L5	8.0-9.0	1st I.F. transformer	A3.126.84
L6	4.7-5.2		
L7	8.0-9.0	2nd I.F. transformer	A3.126.84
L8	4.7-5.2		
L9		Output transformer 7,000 ohms	Type E8G96
L10			
L11		Speaker	Type 5C, F87
L12	55-75	Power transformer	CZ.344.084
L13	630-850		
L14	<1		

**IMPORTANT!** When ordering spare parts, quote **CODE NUMBER** of part and **MODEL NUMBER** of Receiver. In claiming free replacement under **GUARANTEE**, return defective part **PROMPTLY** and quote **MODEL** and **SERIAL NUMBER** of Receiver and **DATE OF PURCHASE**.

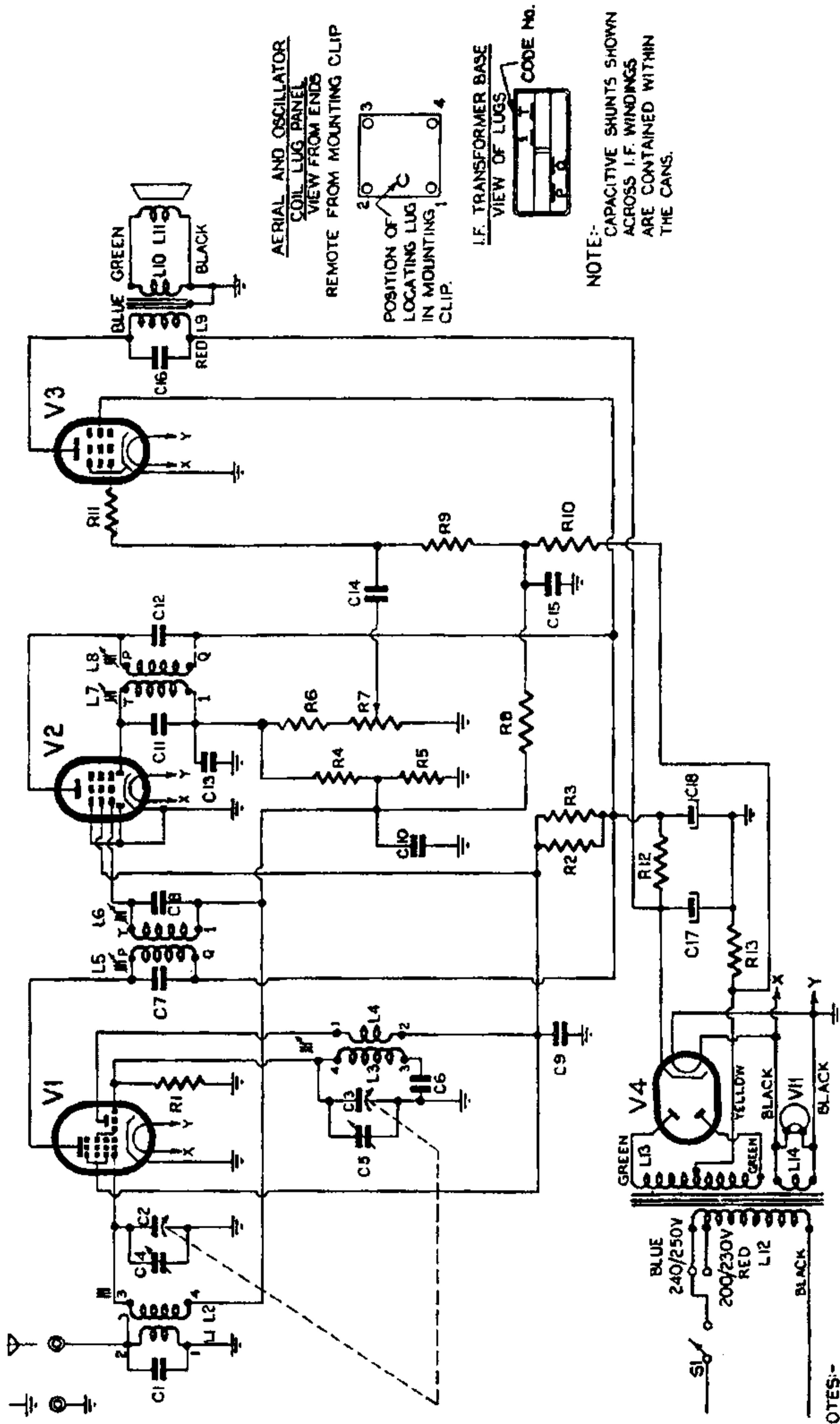
## MISCELLANEOUS COMPONENTS

No. on Dial Cord Layout Drawing	Description	Code No.	No. on Dial Cord Layout Drawing	Description	Code No.
7	Assembly, cursor	CR.480.662	—	Clip, spring, I.F.T. mtg., x2	A3.652.58
—	Assembly, lampholder	CZ.367.920	4	Cord, dial drive	37" of cord required
—	Back, cabinet, coral	CS.462.681	1	Drum, dial	CS.359.810
—	Back, cabinet, grey	CS.462.680	—	Knob, control, x2	CR.523.731
—	Back, cabinet, ivory	CS.462.624	—	Lug strip, speaker transformer	C/F 245-2-6
—	Back, cabinet, red	CS.462.679	—	Philips name	CS.436.446
—	Badge, Philips	CR.531.422	8	Post	CS.237.019
—	Bracket, cabinet back mtg., x3	CS.244.602	—	Prism, dial scale	23.678.74
—	Bracket, chassis retaining, x2	CS.225.229	5	Pulley, dial	CS.359.618
—	Bracket, speaker mounting, x3	CS.233.505	—	Ring "C," tuning spindle, x2	CS.281.802
—	Cabinet, with grille, badge, dec. strip and Philips name—		6	Ring, dial cord	CS.281.807
	Coral	CR.573.513	—	Scale, dial	CS.412.393
	Grey	CR.573.516	—	Screw, dial scale mtg., x2	CS.258.856
	Ivory	CR.573.515	3	Spindle, tuning	CS.351.359
	Red	CR.573.517	2	Spring, dial drum	CS.210.029
			—	Spring, knob retaining, x2	CS.281.832
			—	Strip, decorative	CS.430.920

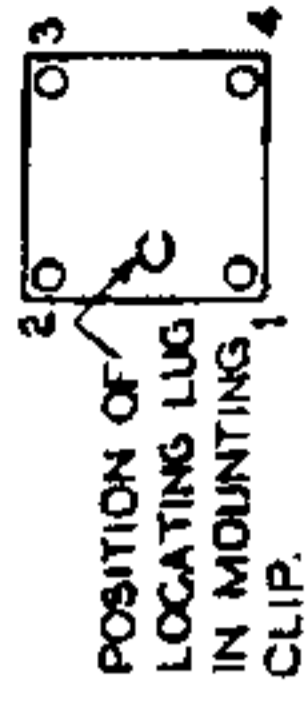
**DIAL CORD LAYOUT**  
VIEW FROM FRONT OF CHASSIS.



L	1	2	12, 13, 14,	3,	4,	5	6	7	8	9,	10,	11	L
C	1	4,	2,	3, 6,	9,	7	17, 8, 10, 18	13	11	12,	14, 15,	16	C
R		5	1	1,	13	13	12, 2, 3, 4, 5, 6, 7, 8,	2		9, 10,	11		R
V				1, 4, 11,									V



AERIAL AND OSCILLATOR COIL LUG PANEL VIEW FROM ENDS  
 REMOTE FROM MOUNTING CLIP



NOTE:- CAPACITIVE SHUNTS SHOWN ACROSS I.F. WINDINGS ARE CONTAINED WITHIN THE CANS.

NOTES:-  
 (i) SWITCH S1 IS MOUNTED ON VOLUME CONTROL (R6, R7).  
 (ii) R6 IS INCLUDED IN POTENTIOMETER R7.