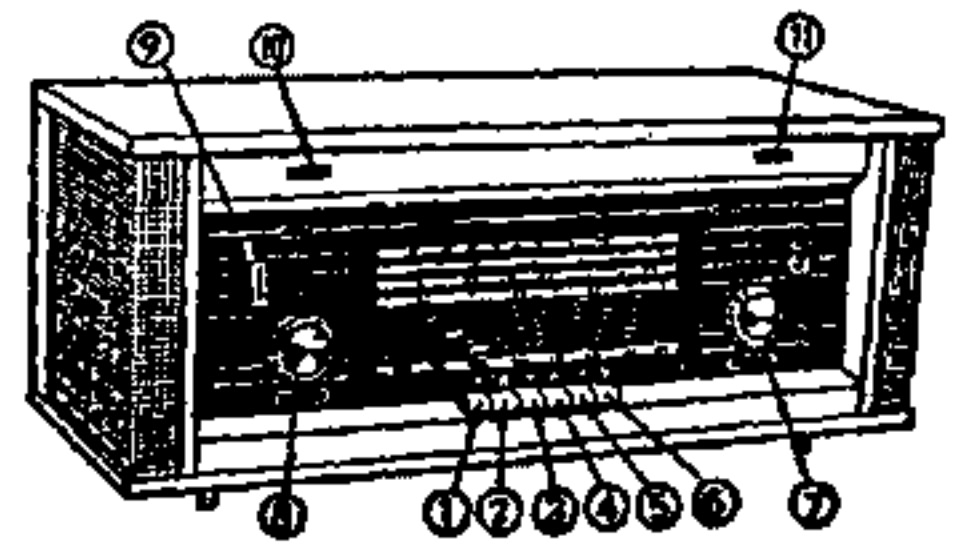


PHILIPS

Service

Compliments Pandu Rajan

**RADIO
15RB677
15RB677/01S**

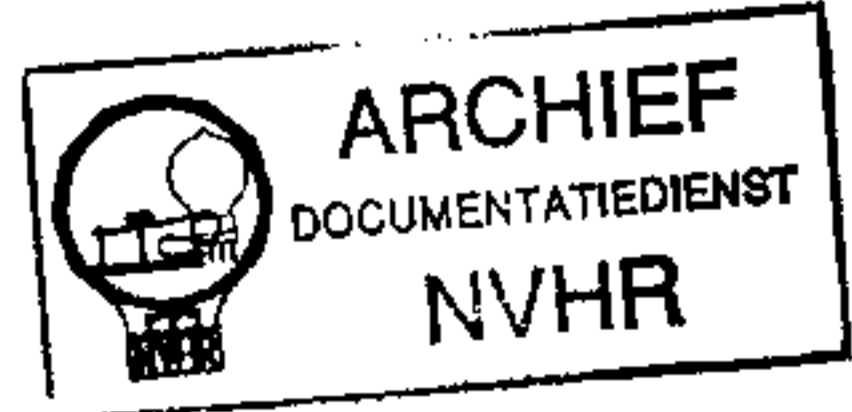


Ned. Ver. v. Historie v/d Radio

of release 1967
1969



For AC Mains Supply



Frequency Ranges

- : 11.3 - 17.8 m (16.8 - 26.4 Mc/s)
- : 18.8 - 26.5 m (11.3 - 16.0 Mc/s)
- : 29.5 - 44.0 m (6.8 - 10.15 Mc/s)
- : 46.5 - 100.0 m (3.0 - 6.45 Mc/s)
- : 185 - 580 m (517 - 1620 Kc/s)

Controls and Indicators

Power button switch:— Press buttons — (1) Off
MW (3) SW4 (4) SW3 (5) SW2 (6) SW1
as button 2 & 3 are to be pressed to play Pick
up tape recorder)

Tuning (8) Volume control
Tuning indicator (10) Low note control
High note control

Valves and Lamps

- : ECH81 B6 : EM84
- : EE89 B7 : EZ80
- B4 : EBC81 L1, L2 : CR 358 52
- : EL84

Loudspeakers

: AD 3700 X (Z = 5 ohms)

Consumption

approximately 55 watts

Dimensions

1) x 240 x 252 mm

Built-in Aerial

built-in-plate aerial is provided for short wave
bands and ferroceptor for medium wave band.

TRIMMING THE RECEIVER:—

Refer circuit diagram for trimming data.

General

Adjust the pointer to left mark 1 with tuning
condenser in minimum capacity position. Dis-
connect speakers and connect a dummy load
(50 ohms) across the external loudspeaker socket.
Connect an output meter across the dummy load.

Set the volume control to maximum and tone
controls to Bass max and Treble max. Trim IF
and RF circuits with lowest possible input signal
follows:—

Circuit

Switch on the receiver by pressing MW button.
Screw out cores of IF coils S17, S18 & S19 as far
possible. Apply modulated signal of 452 Kc/s
to the grid g1 of valve B1 (ECH81) through a
capacitor 33000 pF and successively trim S20, S19,
S17, S18 and S19 for maximum output.

RF Circuit

Apply modulated signal to aerial socket via a dummy aerial and trim for
maximum output for frequencies at points 3 and 2 of each waverange
MW—SW4—SW1—SW3—SW2 as shown in trimming data.

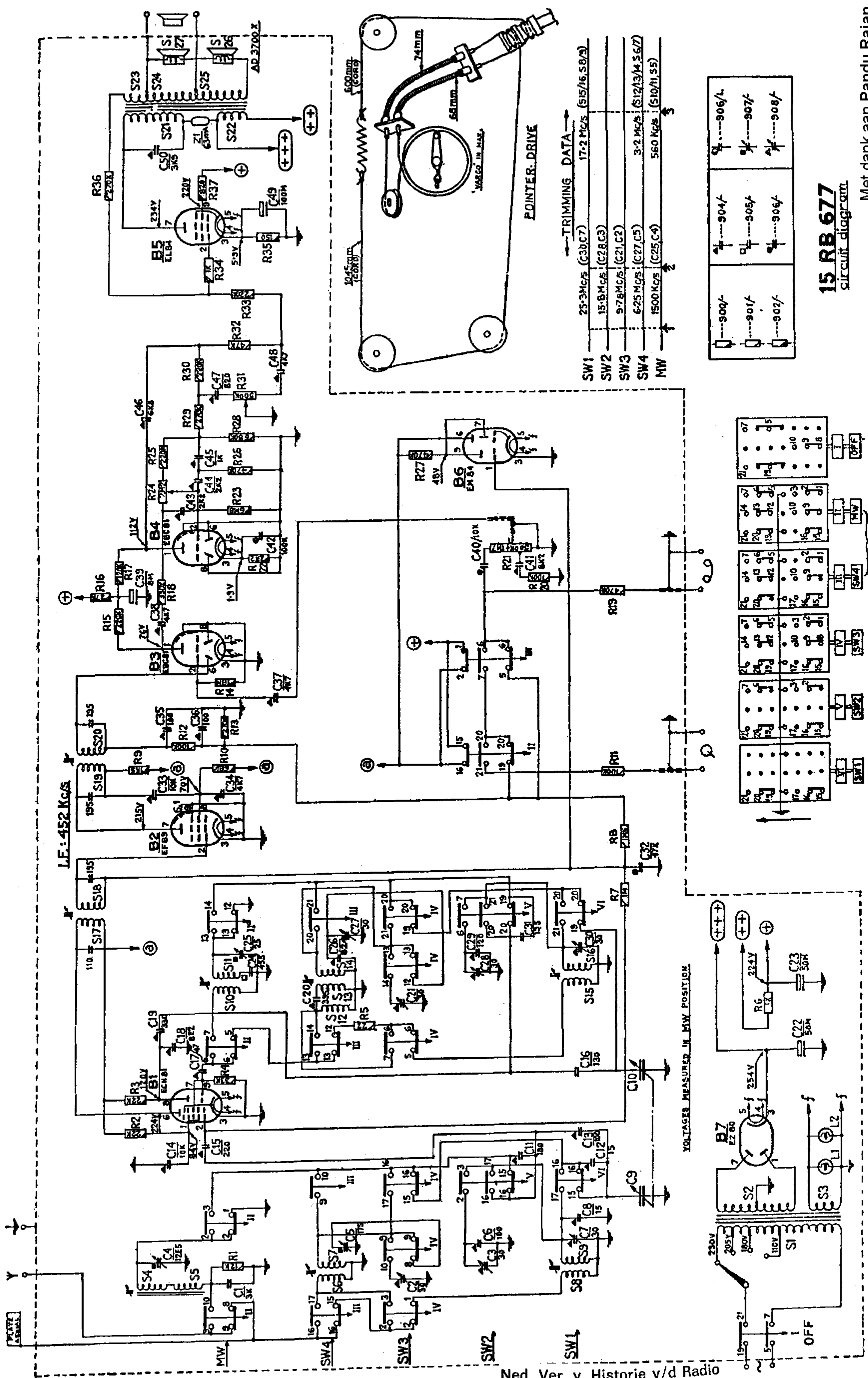
MECHANICAL PARTS

Description	Code No.	Description	Code No.
Cabinet	3115 109 00181	Press key x 6	3115 104 00330
Leg	3115 104 00200 (CR 309 98)	Fuse holder	3115 100 10030
Back plate	3115 103 00020	Lamp holder	3115 100 10050
Bottom plate	3115 103 00030	Mains cord	CR 357 19
Side grill	3122 108 07730	Spring (drive cord)	A3 646 82
Dial	3115 105 00030	Drum for gang condenser	CR 374 02
Pointer	3115 108 70100	Spindle for volume control	CR 426 41
Dial Shade	3115 108 00600	Fixing spring (vol. control & tuning knobs)	A3 522 08
Knob (bass+ treble) x 2	3115 104 00340	Screw (tone control knobs)	B 061 ED/4 x 5
Knob (tuning+ volume) x 2	3115 108 00590	Back plate fixing screw x 4	2522 123 07009
Ornamental profile (top)	3115 105 10110	Bracket for fixing back plate	3115 101 21120
Press button switch assy	3115 108 40060		

ELECTRICAL PARTS

Part No.	Code No.	Part No.	Code No.
S1, S2, S3	3115 208 30031	R24	2315 350 00135 or E 098 AG/00B19
S4, S5	3115 208 24031 (CR 130 11)	R31	E 098 AG/00B13
S6, S7	3115 208 24021 (CR 110 08)	C1	C 885 AB/B3K
S8, S9	3115 208 24011 (CR 110 07)	C9, C10	CR 730 08
S10, S11	3115 208 22031 (CR 120 10)	C16	2015 300 96002 (Styroflex)
S12, S13, S14	3115 208 22021 (CR 120 09)	C22, C23	2015 199 00001 (CR 722 00)
S15, S16	3115 208 22041 (CR 120 22)	C31	2015 300 96001 (Styroflex)
S17, S18	3115 208 20051 (CR 120 16)	C39	C 851 AR/P8
S19, S20	3115 208 20041 (CR 120 15)	C49	C 826 AB/E100
S21 to S25	3115 208 30011	Z1	2422 086 00004 (08 141 46)
S26, S27	AD 3700 X	(fuse 63mA)	
R6	E 800 AK/A1K		
R21	2315 350 00184 or E 098 AG/00B20		

For other electrical parts refer circuit diagram. While ordering for replace-
ment parts, description and code number with value are to be given.



LF: 452 KCS

TRIMMING DATA

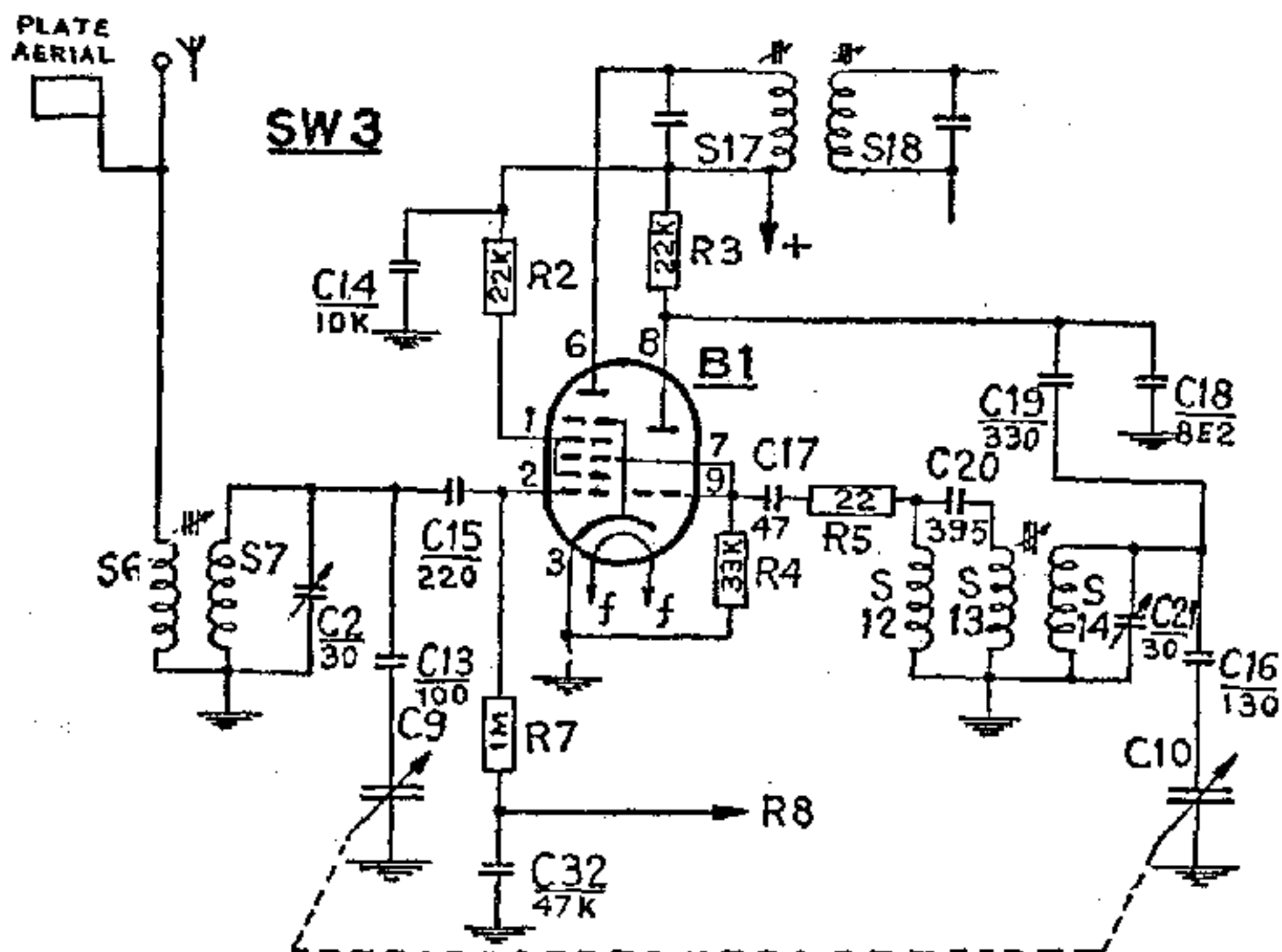
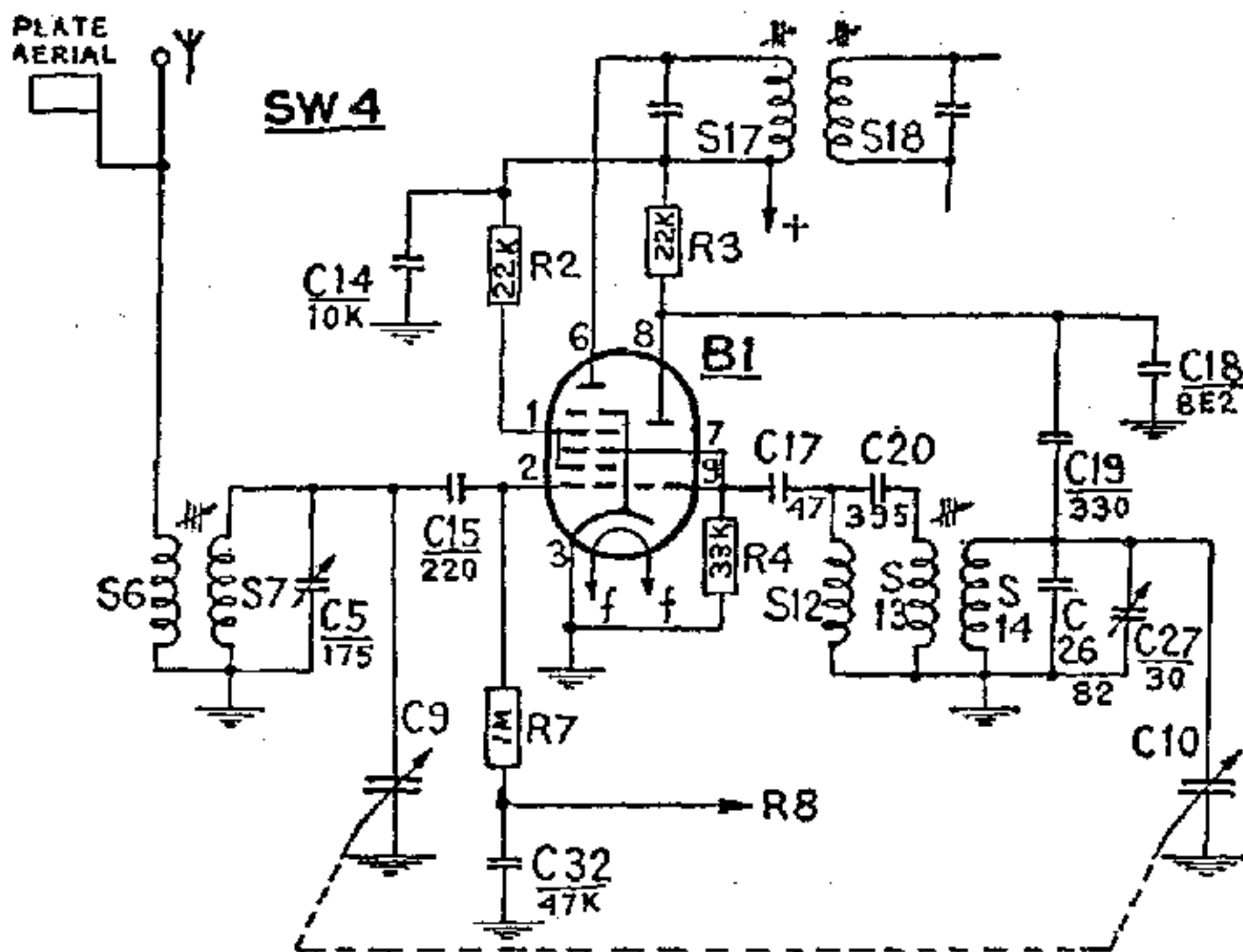
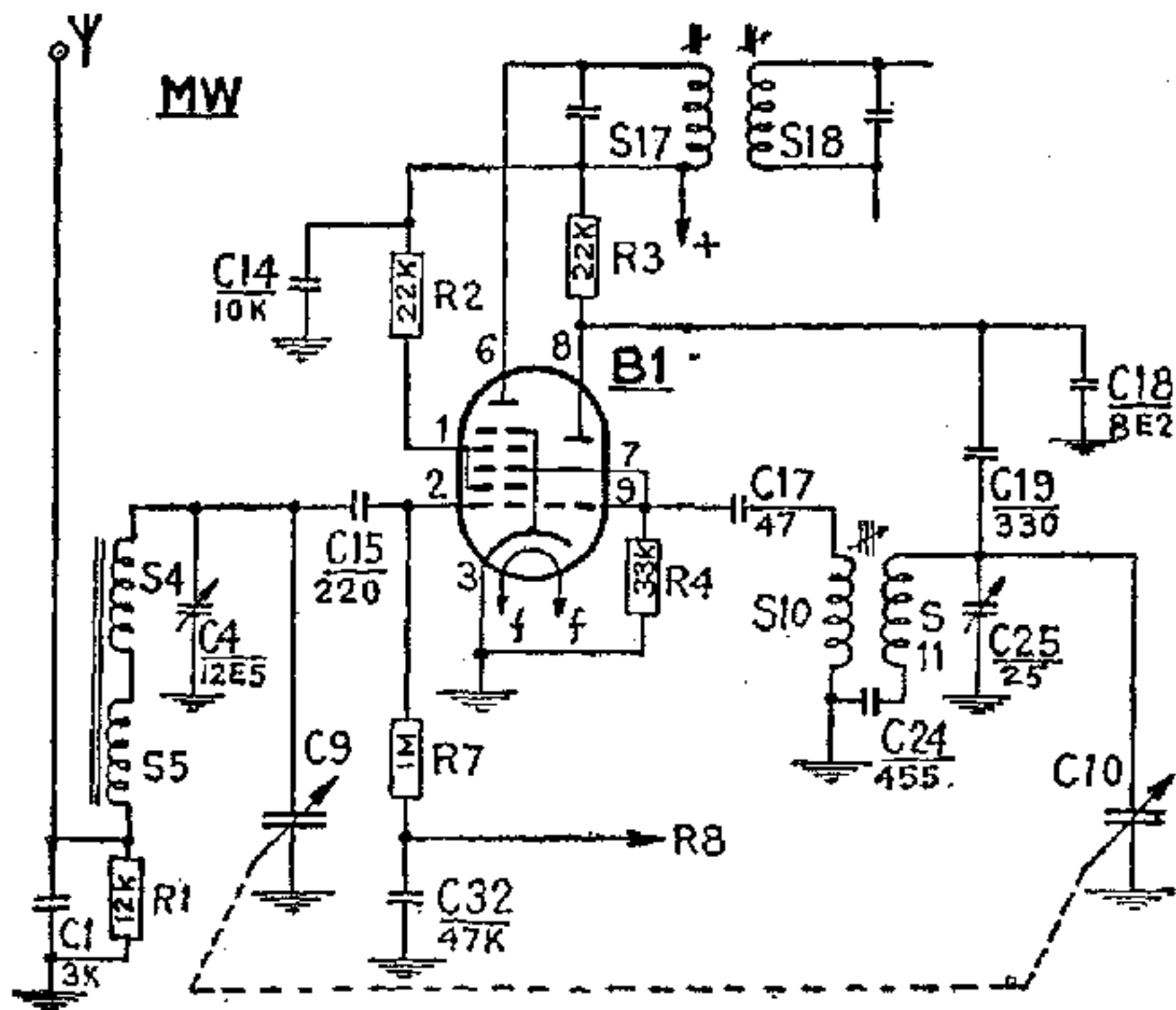
SW1	25-3 Mc/s (C30, C7)	17.2 Mc/s (S15/16, S8/9)
SW2	15.8 Mc/s (C28, C3)	
SW3	9.7 Mc/s (C21, C2)	
SW4	6.25 Mc/s (C27, C5)	3-2 Mc/s (S12/13/14, S6/7)
MW	1500 Mc/s (C25, C4)	560 Mc/s (S10/11, S5)

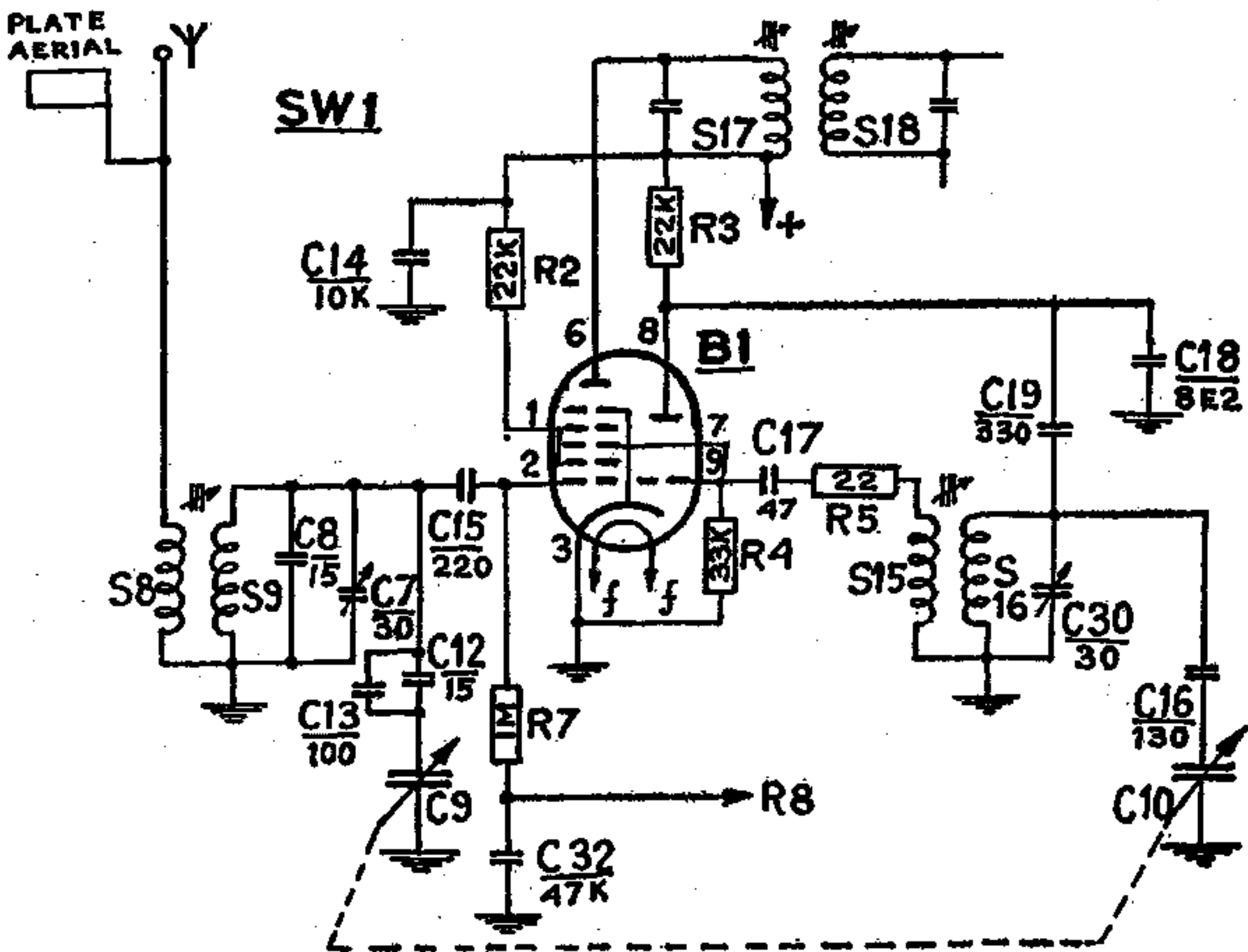
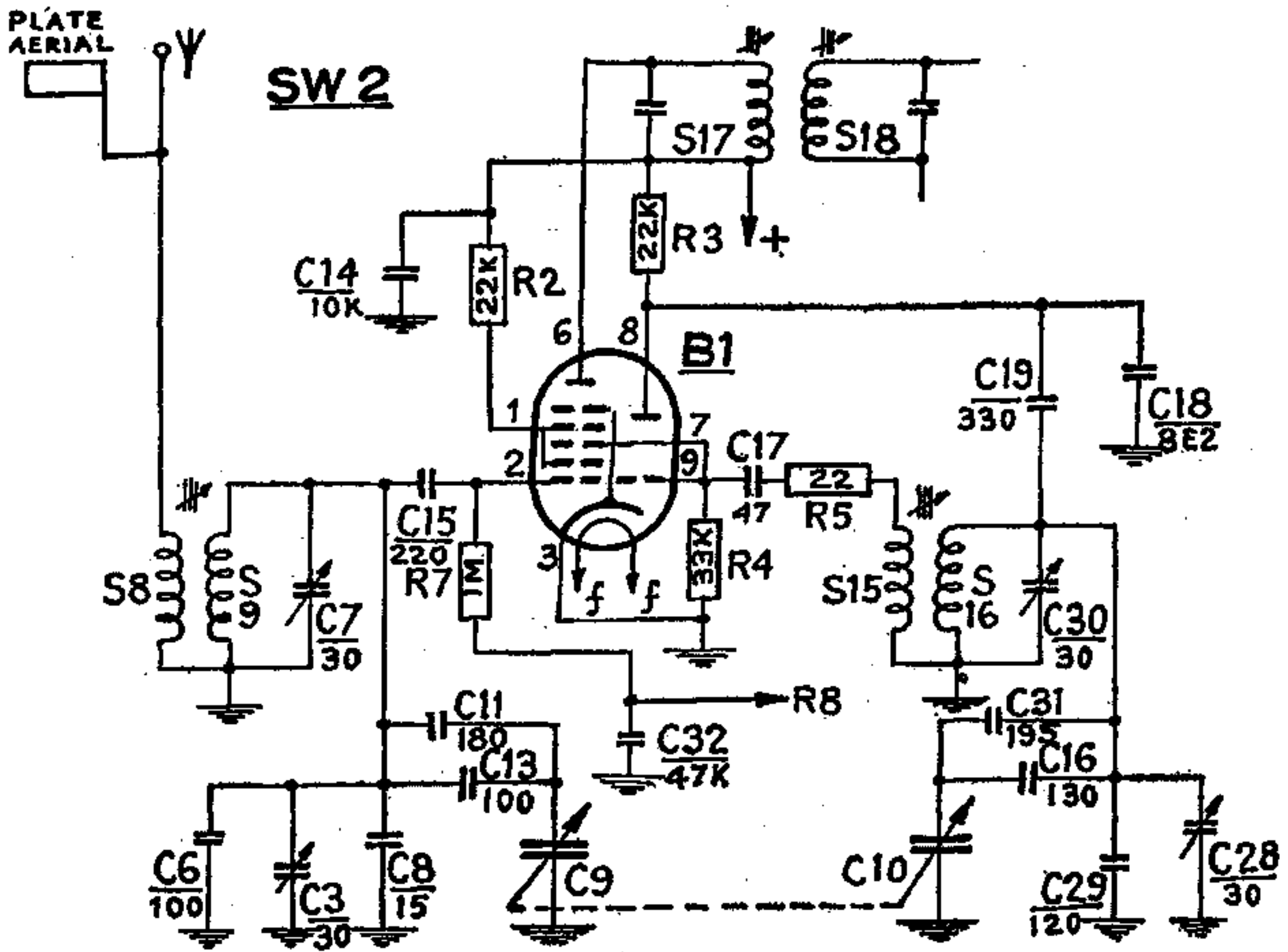
900/-	904/-	906/L
901/-	905/-	907/-
902/-	906/-	908/-

15 RB 677
circuit diagram

Met dank aan Pandu Rajan

R.F. CIRCUITS





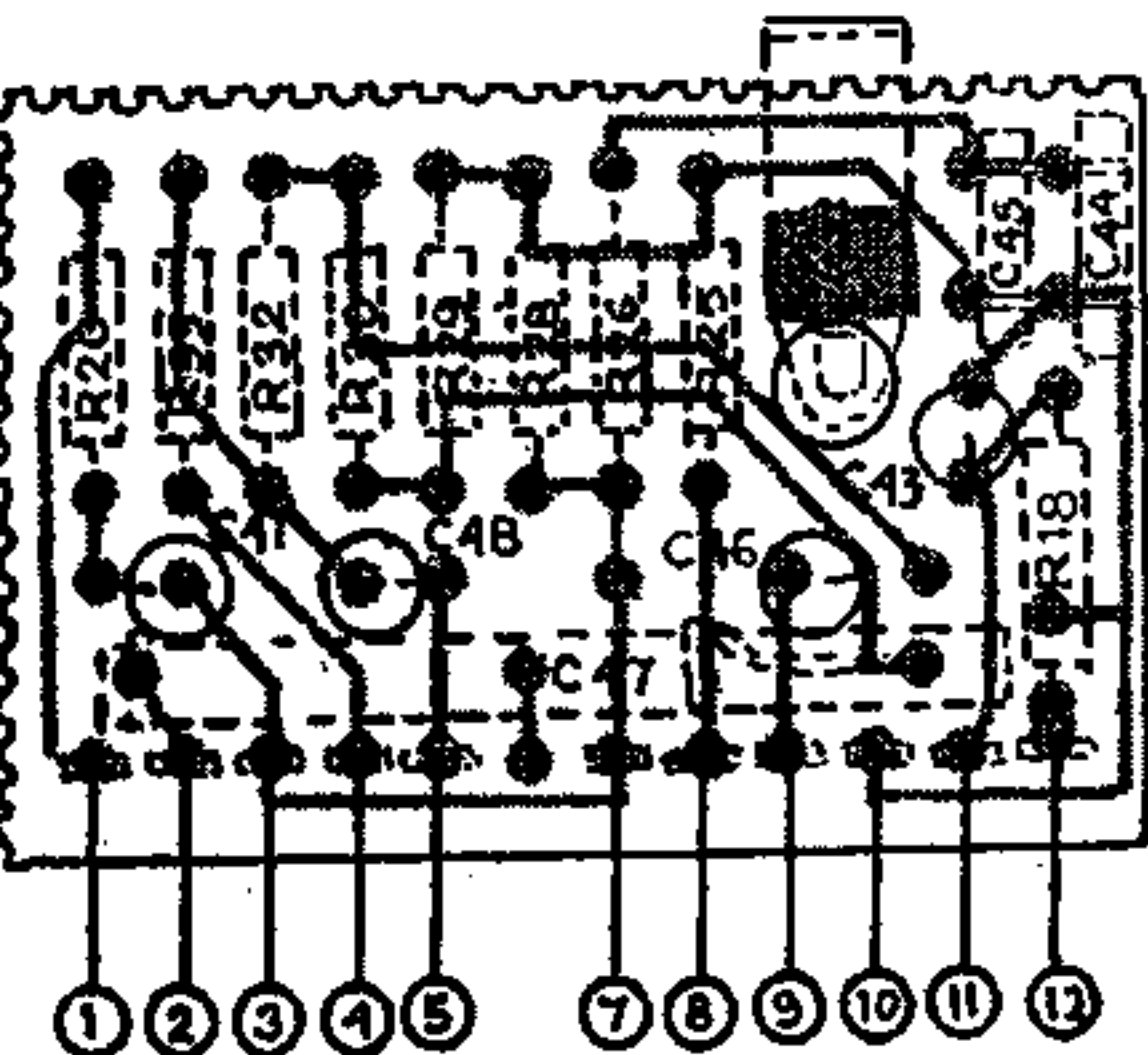
15RB 677 / 015

With

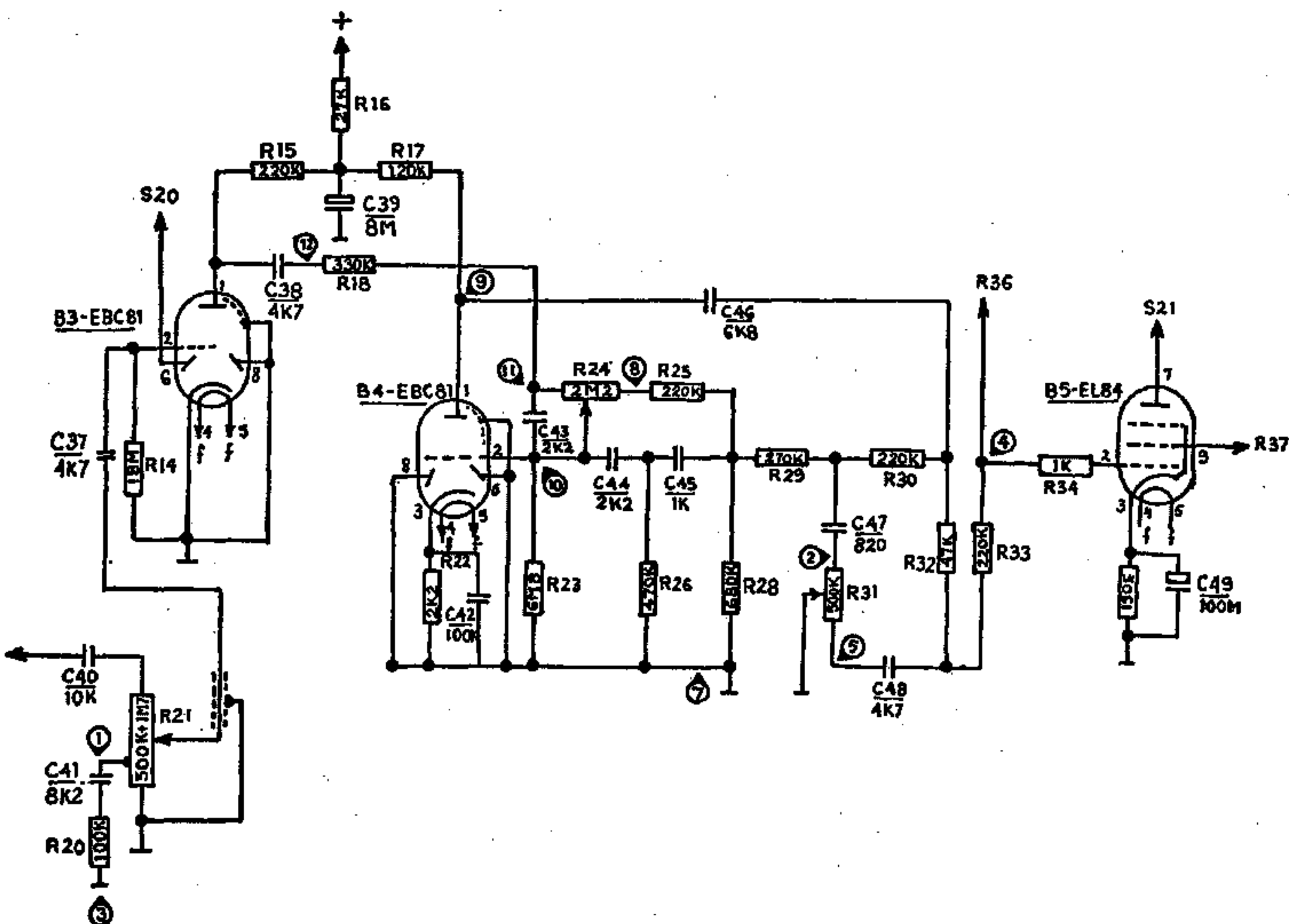
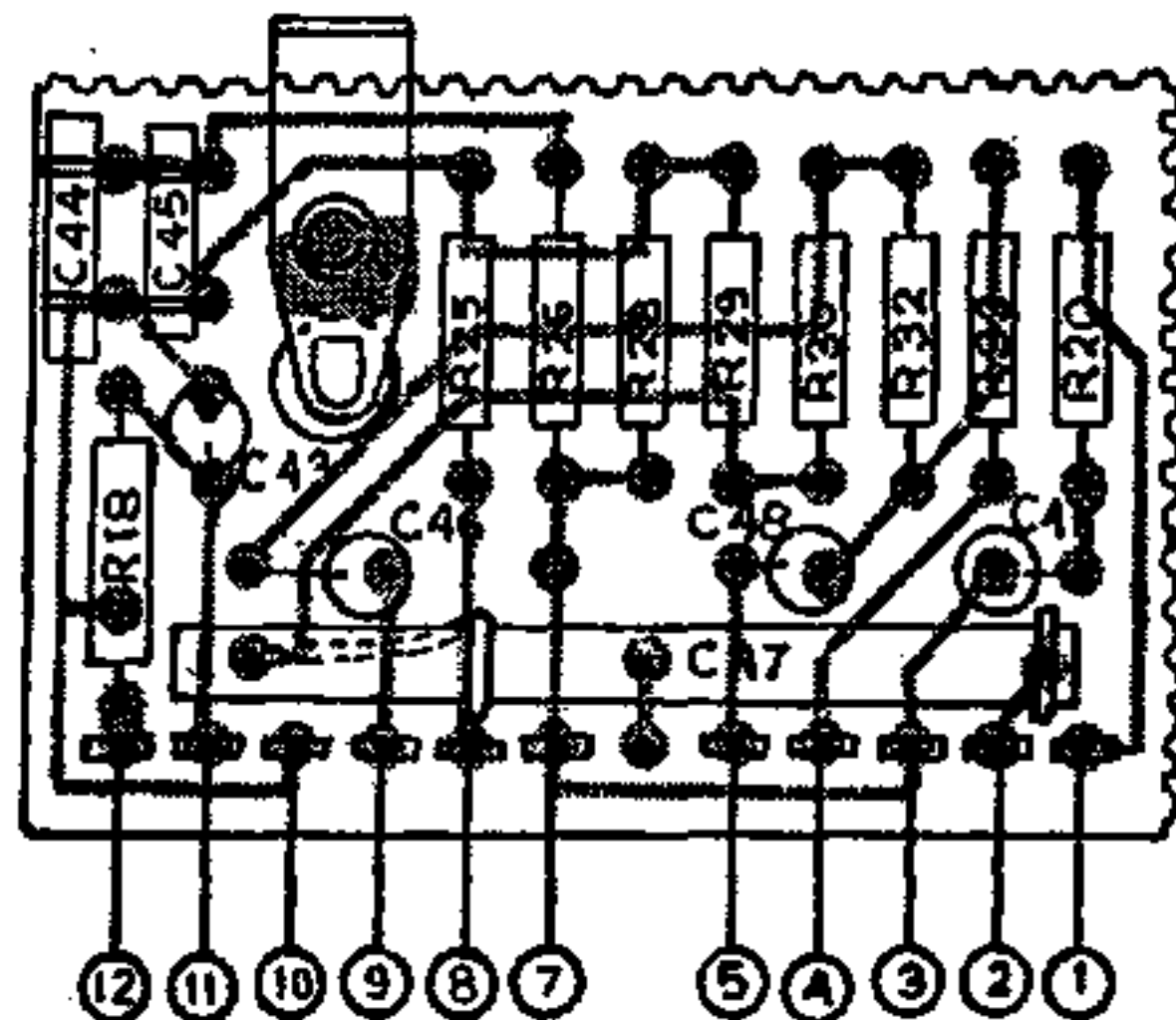
1. Printed circuit for Tone Control
2. New Mains Transformer

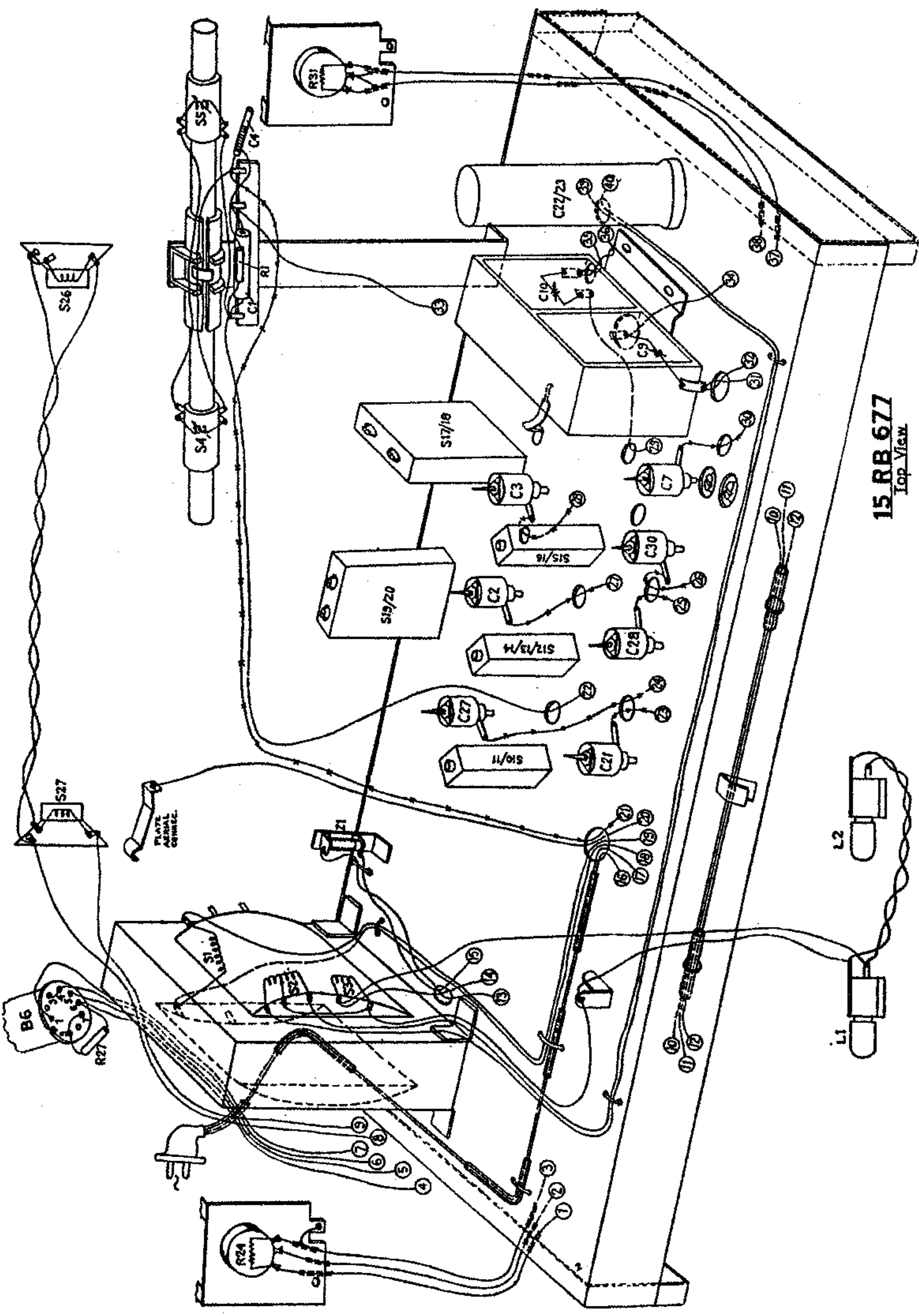
(For full details, refer service note
on 15RB677)

PRINTED SIDE LAYOUT



COMPONENT SIDE LAYOUT





15 RB 677
Top View

S: 21,22,23,24,25

C: 30

R: 21 6

6 A

24 25 35,36

33

C

5,20 26,29,6,11,34,32,31,13,12,16,19

4 7,3

B

3 5,10 8

2 3,3

D

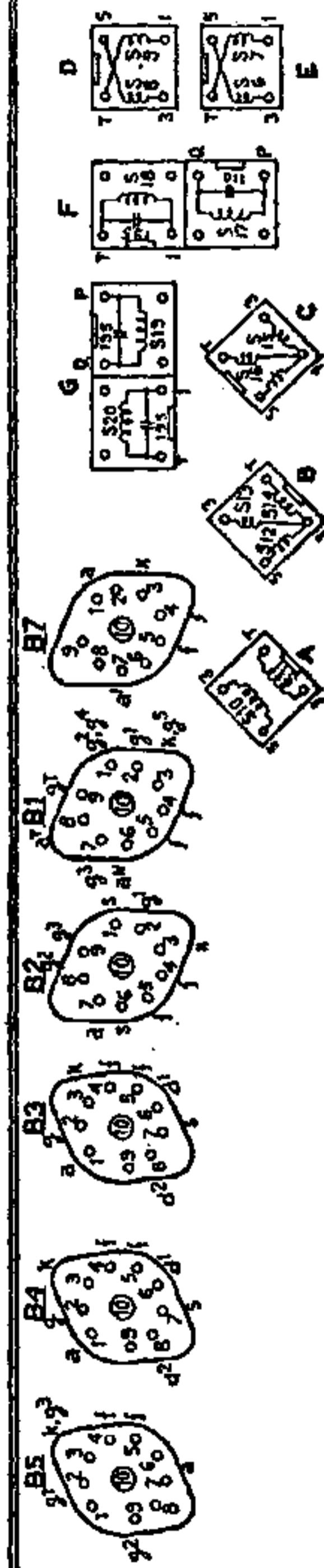
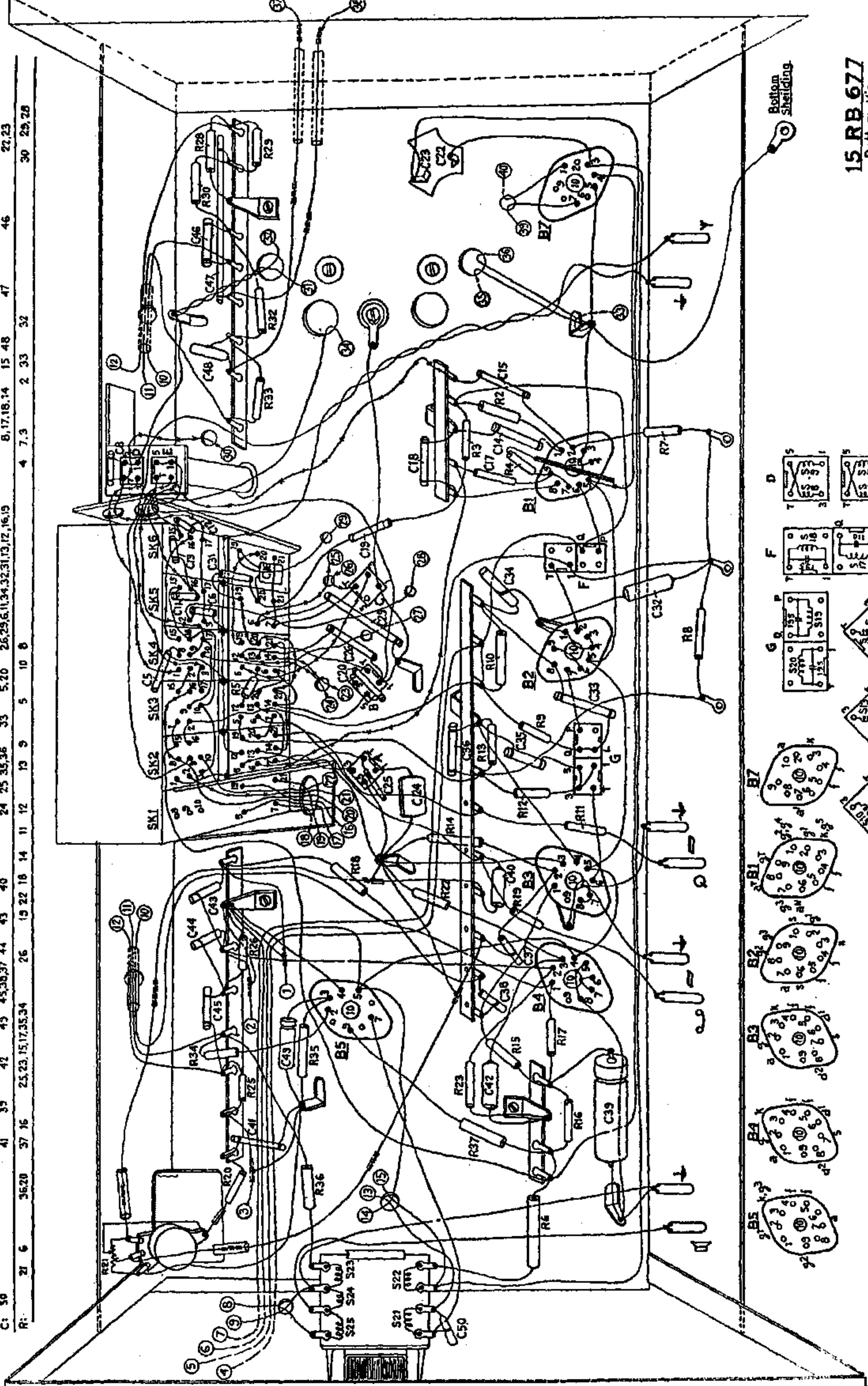
8,17,18,14 15 48

47

E

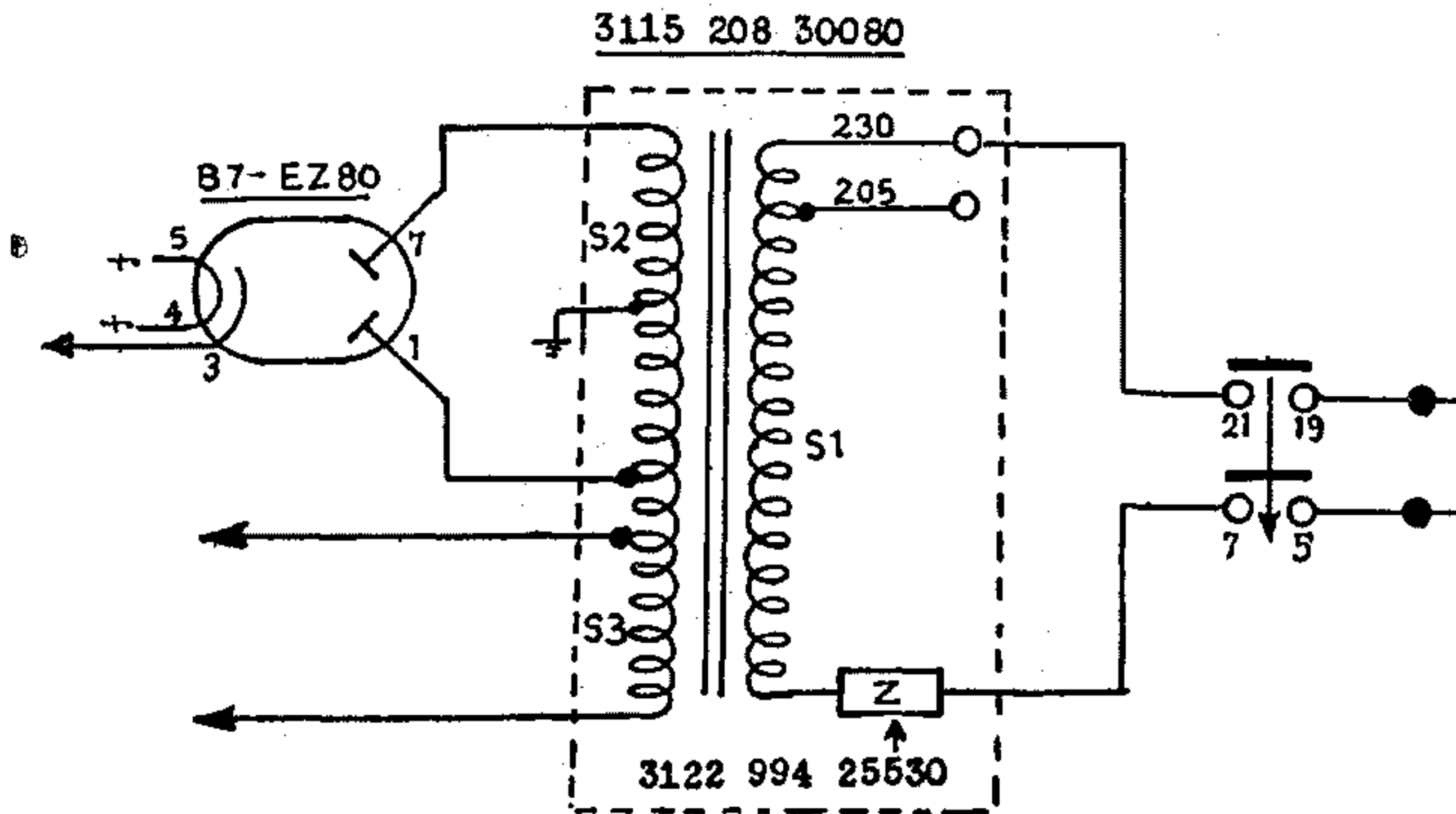
27,23

30 29,28



15 RB 677
Bottom View

Bottom Shielding



15RB677/01S is similar to 15RB677 except for the new mains Transformer and printed Board Assembly for Bass and Treble Control. This alteration is applicable to chassis with Serial Number 1211500 onwards.