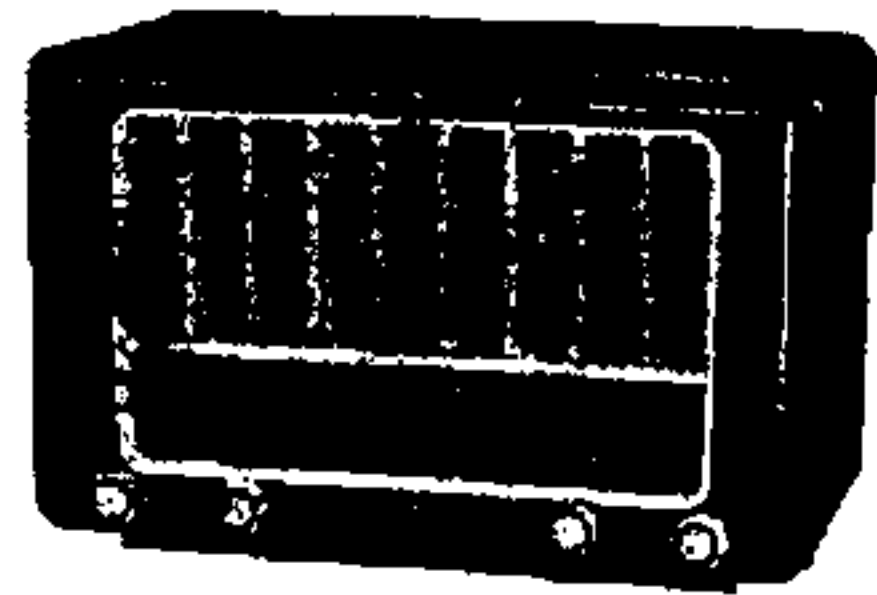


PHILIPS RADIOPLAYER



v. Historie v/d Radio

ARCHIEF
DOCUMENTATIEDIENST
NVHR

MODEL 132

SPECIFICATIONS

(Subject to alteration without notice)

Power Supply	220-260 volts 40-60 c/s.
Tuning Ranges	530-1,620 kc/s. 5.9-18.4 Mc/s.
Intermediate Frequency	455 kc/s.
Cabinet	Bakelite table.

VALVE EQUIPMENT AND VOLTAGE ANALYSIS

Valve Function	Valve No.	Valve Type	Plate Volts	Screen Volts	Bias Volts
Frequency Converter	V1	6AN7	225	30	80
I.F. Amplifier	V2	6N8	225	72	—
Demodulator and A.V.C. Audio Amplifier	V3	6N8	50	—	—
Power Amplifier	V4	6M5	210	225	—
Rectifier	V5	6X5GT	Cathode — L17 C.T., 261V.		
Dial Lamps	V11, V12	6.3V. 0.32A. tubular screw			

Voltage across R23 - 2.0V.; across R23 and 24 - 6.4V.

NOTE: These voltages are measured with an "1,000 ohms per volt" meter and may vary \pm 10% from the figures quoted. They are measured from the socket points indicated to chassis or across the resistors listed. The receiver should be in a "no signal" condition.

TO REMOVE CHASSIS FROM CABINET.

Remove the power plug from the supply outlet socket. Remove the four control knobs (a firm pull is all that is necessary) and the cabinet back. The chassis is held to the cabinet by three screws in the baffle—two along the top and one on the right-hand side—and four screws through the bottom of the cabinet. Removal of these seven screws allows the chassis to be withdrawn from the cabinet.

The chassis may be replaced by a reversal of the above procedure.

DIAL CALIBRATION.

If it is required to correct dial calibration for an equal error on all stations, provision is made for moving the cursor assembly with respect to the dial cord. Loosen the clamping screw, make the necessary adjustment to the cursor position and securely retighten the clamping screw.

MAINS VOLTAGE ADJUSTMENT.

The power transformer is provided with two mains voltage tapplings—220/240 volts and 250/260 volts—for adjustment to the supply voltage at the point of installation. This Radioplayer is adjusted at the factory to the 220/240 volts tapping.

ALIGNMENT.

The iron cores for the secondaries of the I.F. transformers are in the top of the cans; those for the primaries are in the bottom.

Broadcast band alignment frequencies are 1,420 kc/s. and 600 kc/s., short wave band alignment frequencies are 18.4 Mc/s. (tuning gang fully open) and 17.8 Mc/s. Do not attempt to adjust the iron cores of the serial coils.

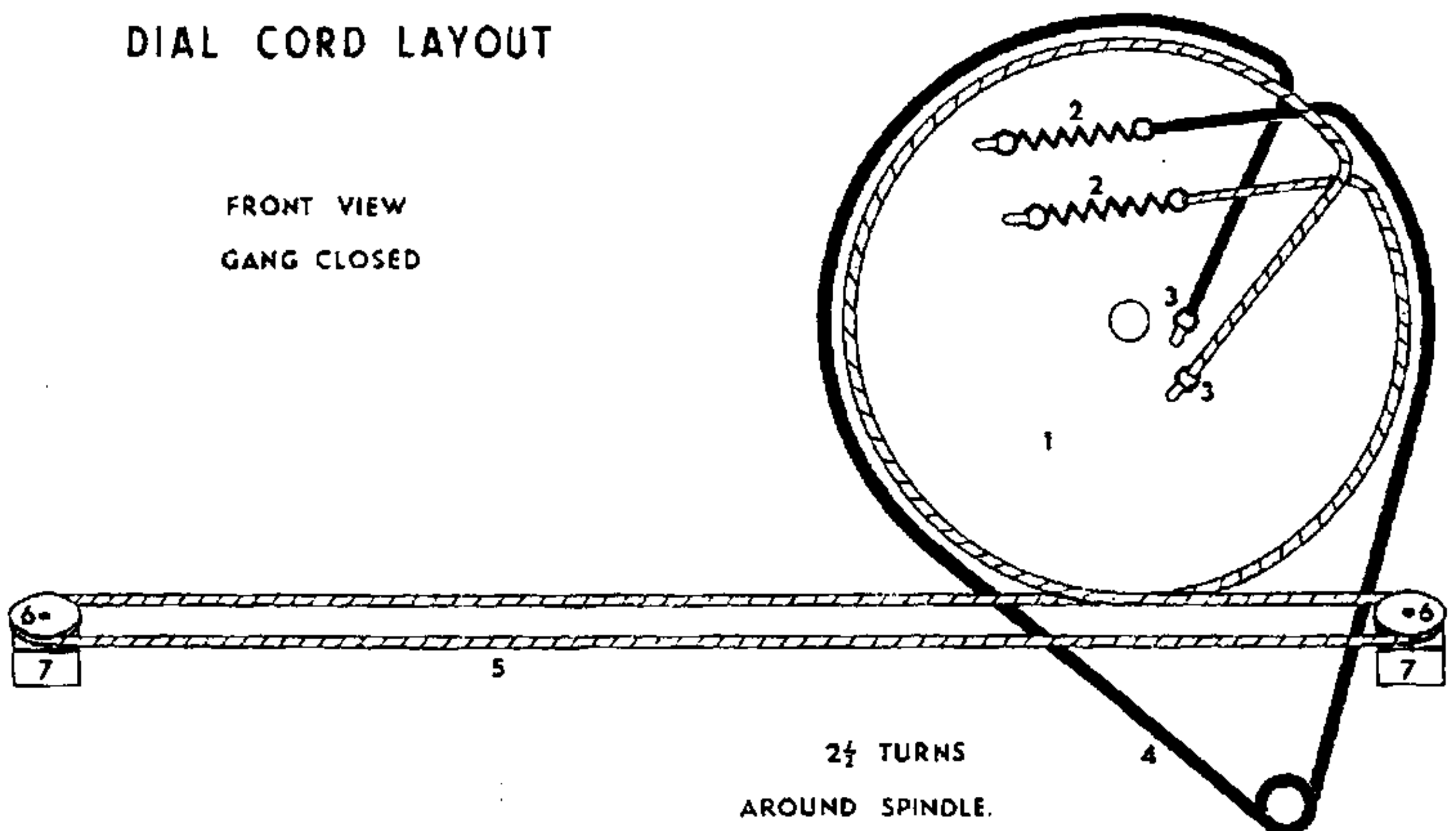
Before commencing alignment, set the dial cursor, with the tuning gang fully closed, to the letter "S" at the extreme right-hand end on the bottom of the dial scale.

MISCELLANEOUS COMPONENTS

No. on Dial Parts Diagram	Description	Code No.	No. on Dial Parts Diagram	Description	Code No.
—	Assembly, baffle (ivory cabinet)	CR.005.234	—	Clamp, dial mtg.	CS.228.569
—	Assembly, baffle (walnut cabinet)	CR.005.226	—	Clip, coil can mtg.	CS.235.833
—	Assembly, cursor	CR.480.630	—	Cloth, baffle (ivory cabinet)	CE.081.14
1	Assembly, dial drum	CR.382.815	—	Cloth, baffle (walnut cabinet)	CE.081.81
—	Assembly, lampholder	CZ.367.900	5	Cord, dial	CS.361.828
7	Assembly, pulley spindle	CR.436.206	4	Cord drum	CS.361.826
—	Assembly, P/U socket	CZ.370.106	—	Glass, dial, printed	CS.412.311
—	Assembly, tuning spindle	CR.371.317	—	Knob, brown (ivory cabinet)	CS.432.615
—	Assembly, T/C—on/off switch	CZ.200.415	—	Knob, ivory (walnut cabinet)	CS.432.623
—	Assembly, W/C switch	CZ.200.036	—	Nipple, slide rod adj.	CS.274.603
—	Assembly, terminal	CZ.376.200	—	Plate, lampholder mtg.	CS.241.641
—	Assembly, T/C clicker	CR.450.034	6	Pulley, wooden	CS.360.201
—	Assembly, W/C clicker	CR.450.035	—	Ring, C (W/C & T/C switches)	CS.281.802
—	Back cabinet	CS.462.083	3	Ring, dial cord	CS.281.807
—	Badge, Philips	CR.531.406	—	Rod, dial slide	CS.382.213
—	Band, rubber (dial glass mtg.)	CS.433.406	—	Socket, noval, wafer	CZ.369.702
—	Bank, T/C switch	CZ.200.204	—	Socket, octal, moulded	CZ.369.515
—	Bank, W/C switch	CZ.200.039	2	Spring, dial drum	CS.210.010
—	Block, dial glass spacing	CS.424.054	—	Strip, masking (ivory cabinet)	CS.050.408
—	Bracket, cabinet back mtg.	CS.244.602	—	Strip, masking (walnut cabinet)	CS.050.409
—	Bracket, tuning spindle	CS.224.607	—	Switch, mains on/off	CZ.220.001
—	Cabinet, ivory	CS.460.503	—	Washer, felt (knobs)	CS.424.056
—	Cabinet, walnut	CS.460.485			

DIAL CORD LAYOUT

FRONT VIEW
GANG CLOSED



PARTS LISTS

CAPACITORS

No.	Description	Code No.
C1	5 pF mica	
C2	100 pF mica	
C3	0.1 mF 200V paper	
C4-5-13-14	30 pF air trimmer	CZ.113.700
C6-7	2 gang tuning	CZ.107.720
C8-18	0.01 mF 600V paper	
C9-10	50 pF mica	
C11	475 pF mica 2%	
C12	20 pF mica	
C15	0.008 mF mica	
C16-17-22-23	100 pF mica 5%	
C19-27	24 mF 350V electrolytic	
C20	100 pF ceramic	CZ.096.602
C21-29	30 pF mica	
C24	0.002 mF 600V paper	
C25	0.05 mF 200V paper	
C26-28-33	0.02 mF 400V paper	
C30	47 pF ceramic	CZ.096.604
C31	150 pF mica	
C32	10 mF 40V electrolytic	
C34	0.02 mF 600V paper	

RESISTORS

No.	Description	Code No.
R1-5	30,000 ohms 1W carbon	
R2-6	100,000 ohms 1W carbon	
R3-10-14-19	50,000 ohms ½W carbon	
R4	100 ohms ½W carbon	
R7-8	2 megohms ½W carbon	
R9	0.5 megohm ½W carbon	
R11	5,000 ohms ½W carbon	
R12	100,000 ohms ½W carbon	
R13	0.5 megohm carbon tapped potentiometer	CZ.029.129
R15	10 megohms 1W carbon	
R16	1 megohm 1W carbon	
R17	250,000 ohms 1W carbon	
R18	1 megohm ½W carbon	
R20	25 ohms ½W carbon	
R21	400 ohms ½W carbon	
R22	250,000 ohms ½W carbon	
R23	35 ohms 1W W/W	
R24	80 ohms 1W W/W	

COILS

No.	Ohms	Description	Code No.
L1	1.5	S/W Aerial Coil (white spot)	CZ.323.006
L2	<0.5		
L3	26.0	B/C Aerial Coil (black spot)	CZ.323.002
L4	1.7		
L5	<0.5	S/W Oscillator Coil (yellow spot)	CZ.330.601
L6	<0.5		
L7	1.2	B/C Oscillator Coil (red spot)	CZ.330.600
L8	3.4		
L9	12.0	1st I.F. Transformer	CZ.320.421
L10	12.0		
L11	12.0	2nd I.F. Transformer	CZ.320.420
L12	12.0		
L13	515	Filter Choke	CZ.341.000
L14	600	Speaker and Transformer 6,000 ohms	CZ.161.111
L15	<0.5		
L16	3.0		
L17	650	Power Transformer	CZ.344.035
L18	0.8		
L19	<0.5		
L20	55.0		

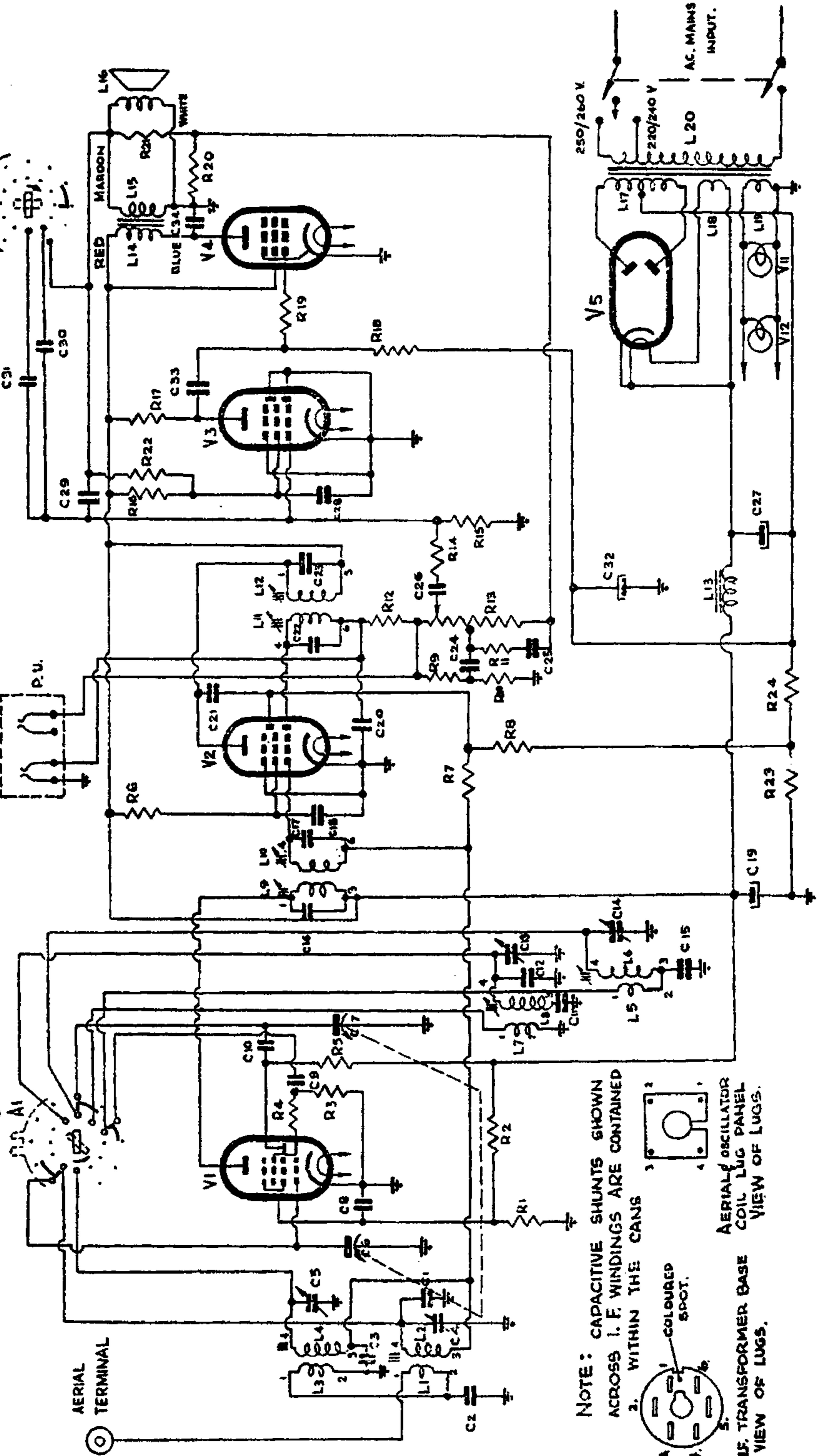
SERVICE DATA

IMPORTANT! In ordering spare parts, quote **CODE NUMBER** of part and **MODEL NUMBER** of Radioplayer. In claiming free replacement under **GUARANTEE**, return defective part **PROMPTLY** and quote **MODEL** and **SERIAL NUMBER** of Radioplayer and **DATE OF PURCHASE**.

L	1, 2, 3, 4,	7, 8, 5, 6,	9, 10	11, 12, 13,	14, 15, 17, 18, 19, 20, 16,
C	2, 3, 4,	1, 5,	6,	8	33, 31, 30,
R	1	2, 4, 3, 5,	6,	7, 25, 8,	24, 9, 10, 11, 12, 13,
V				3	12, 5, 11,

SWITCH A1 SHOWN IN 'SW' POSITION.

SWITCH B1 SHOWN IN 'OFF' POSITION.



NOTE: CAPACITIVE SHUNTS SHOWN ACROSS I. F. WINDINGS ARE CONTAINED WITHIN THE CANS

AERIAL OSCILLATOR COIL LUG PANEL VIEW OF LUGS.

I.F. TRANSFORMER BASE VIEW OF LUGS.

