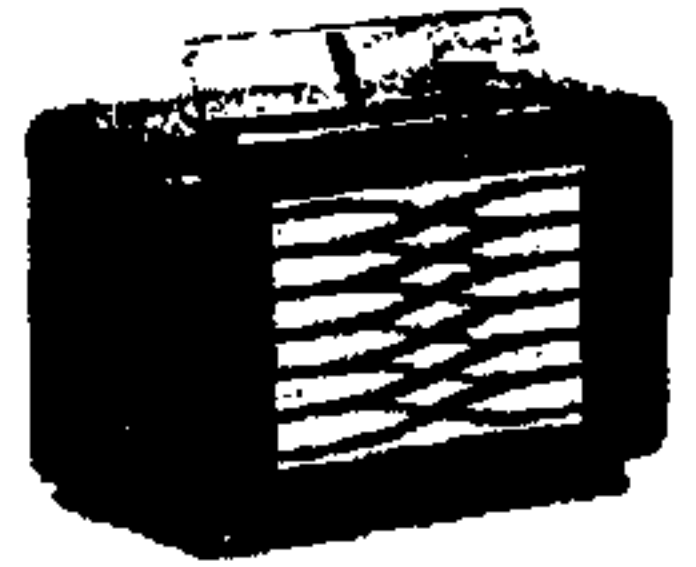


PHILIPS RADIOPLAYER

MODEL 115



SPECIFICATIONS

Subject to alteration without notice.

Power Supply	220-260 volts 40-60 C/s
Tuning Range	530-1620 Kc/s
Intermediate Frequency	455 Kc/s
Cabinet	De luxe bakelite table

VALVE EQUIPMENT AND VOLTAGE ANALYSIS

Valve Function	Valve No.	Valve Type	Plate Volts	Screen Volts	Osc. P. Volts	Bias Volts	Bias Resistor	
Frequency Converter	V1	ECH35	200	70	100	-1.25	R6	
I.F. Amplifier	V2	6SK7GT	200	75	—	-1.25	R6	
Demodulator, A.V.C. and 1st Audio	V3	6SQ7GT	95	—	—	0	—	
Power Amplifier	V4	6V6GT	185	200	—	-12.0	R5 & R6	
Rectifier	V5	5Y3GT	Unfiltered B + to L8 C.T. — 237V.					
Dial Lamps	V11 & V12	6.3V	0.32A tubular screw					

NOTE: These voltages are measured with a "1,000 ohms per volt" meter, and may vary \pm 10% from the figures quoted. They are measured from the socket points indicated to chassis, or across the resistors listed. The receiver should be in a "no signal" condition.

MAINS VOLTAGE ADJUSTMENT.

The power transformer is provided with two primary winding tappings, 220-240 volts and 250-260 volts, by means of which the Radioplayer may be adjusted to the mains voltage at the point of installation. The Radioplayer is adjusted to the 220-240 volts tapping before despatch from the factory.

REMOVAL OF CHASSIS FROM CABINET.

The incorporation of a removable chassis bottom cover or "service window" permits much service work being

carried out on this Radioplayer without the need to remove the chassis from the cabinet. If it is necessary that the chassis be removed, proceed as follows.

Remove the power plug from the mains outlet socket. Remove the cabinet back, the bottom cover, the plate aerial wire, the control knobs, speaker plug from its socket, and release the dial cursor from the dial cord. Removal of the four chassis mounting bolts permits the chassis to be withdrawn from the cabinet.

The chassis may be replaced by a reversal of the above procedure.

CAPACITORS

No.	Description	Code No.
C1	150 pfd mica	
C2	5 pfd glass	CZ.102.303
C3	30 pfd glass trimmer	CZ.117.600
C4-5	2 gang tuning	CZ.107.711
C6	30 pfd air trimmer	CZ.113.700
C7-11-12-15-18	125 pfd ceramic trimmer	CZ.118.200
C8	380 pfd mica	
C9-10-14-20-30	0.01 mfd 600V paper	
C13	0.1 mfd 200V paper	
C16	33 pfd ceramic	CZ.096.605
C17-21	24 mfd 350V electrolytic	
C19-22	100 pfd ceramic	CZ.096.602
C23	0.02 mfd 600V paper	
C25	0.05 mfd 400V paper	
C26	0.02 mfd 400V paper	
C27	0.004 mfd 600V paper	
C28	0.002 mfd 600V paper	
C29	0.04 mfd 600V paper	

RESISTORS

No.	Description	Code No.
R1-8-15-17	50,000 ohms $\frac{1}{2}$ W carbon	
R2	30,000 ohms 1W carbon	
R3-4	50,000 ohms 1W carbon	
R5	200 ohms 1W W/W	
R6	25 ohms 1W W/W	
R7	2,500 ohms $\frac{1}{2}$ W carbon	
R9	0.5 megohms tapped potentiometer	CZ.029.118
R10	5 megohms 1W carbon	
R11-12	1 megohm $\frac{1}{2}$ W carbon	
R13	250,000 ohms 1W carbon	
R14	0.5 megohms $\frac{1}{2}$ W carbon	
R18	10,000 ohms $\frac{1}{2}$ W carbon	
R19	1,000 ohms $\frac{1}{2}$ W carbon	
R20	100 ohms $\frac{1}{2}$ W carbon	
R21	25 ohms $\frac{1}{2}$ W carbon	

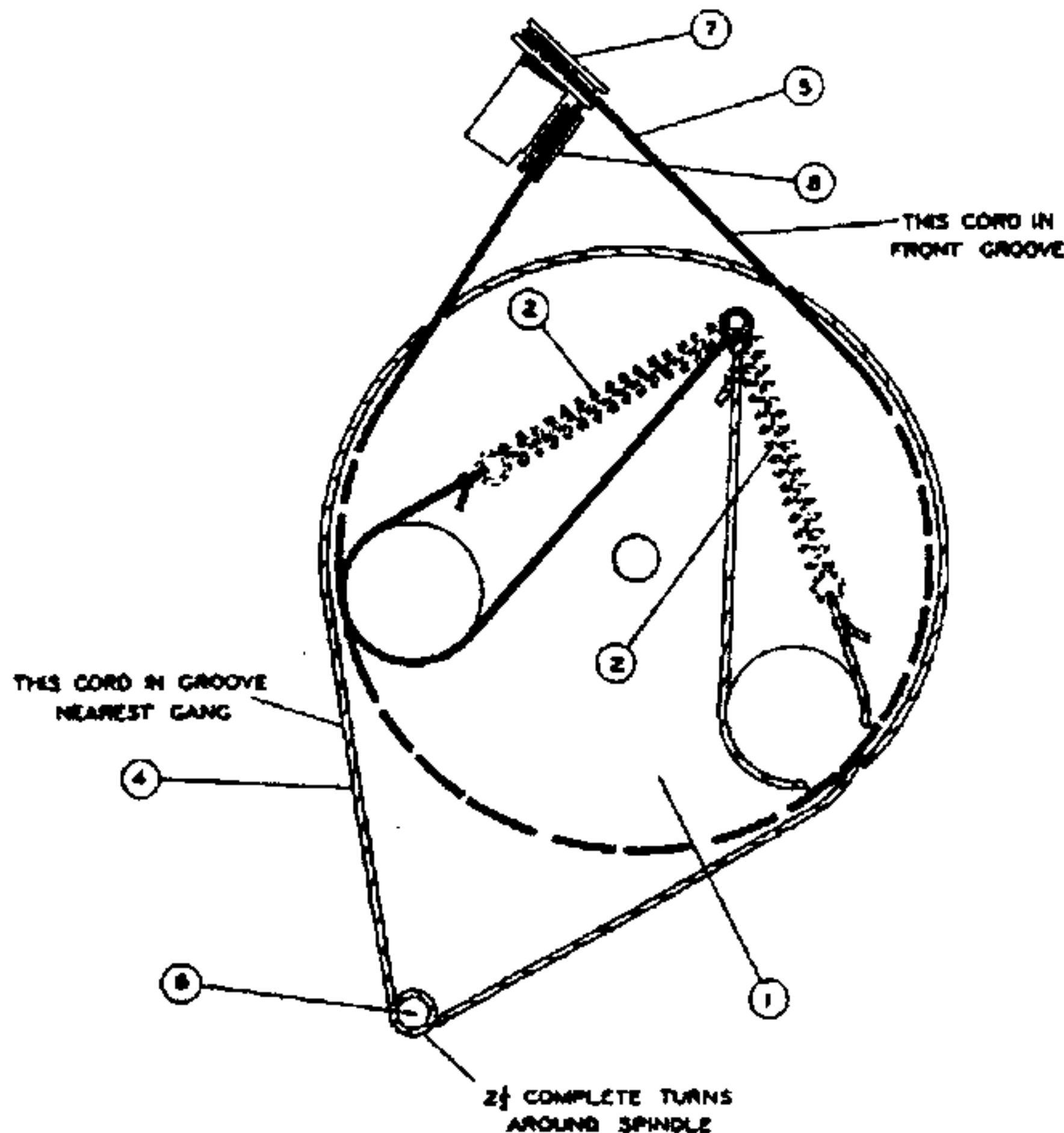
COILS

No.	Ohms	Description	Code No.
L1	18.	Aerial and Oscillator Coil	CZ.320.017
L2	3.3		
L3	2.2		
L4	4.2		
L5	4.5	1st I.F. Transformer	CZ.320.415
L6	4.5		
L7	27	Power Transformer	CZ.344.019
L8	600		
L9	<.5		
L10	<.5		
L11	4.5	2nd I.F. Transformer	CZ.326.202
L12	4.5		
L13	450	Filter Choke	CZ.340.406
L14	550	Speaker & Transformer 5,000 ohms	CZ.161.207
L15	.5		
L16	2.8		

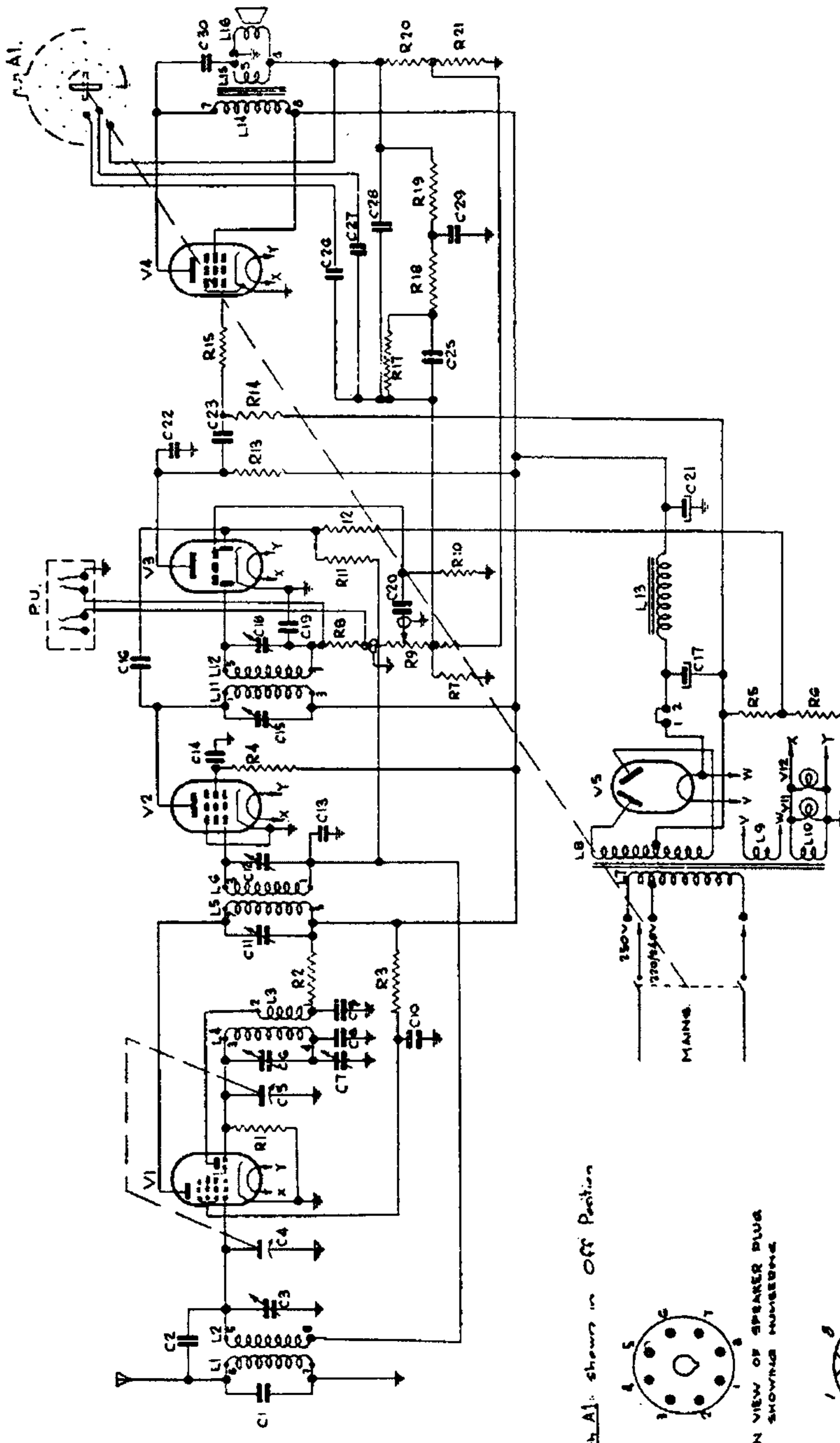
IMPORTANT! In ordering spare parts, quote **CODE NUMBER** of part and **MODEL NUMBER** of Radioplayer. In claiming free replacement under **GUARANTEE**, return defective part **PROMPTLY** and quote **MODEL** and **SERIAL NUMBER** of Radioplayer and **DATE OF PURCHASE**.

COMPONENTS NOT SHOWN ON CIRCUIT DIAGRAM

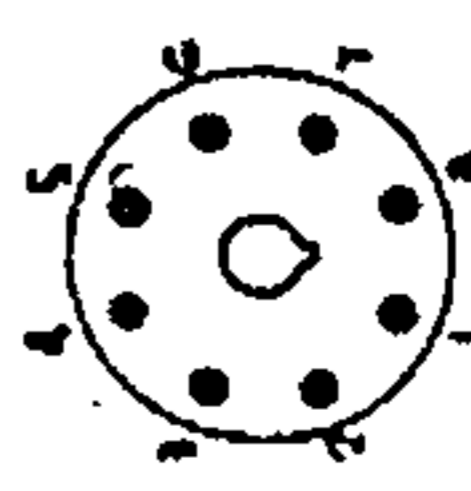
No. on Dial Parts Diagram	Description	Code No.	No. on Dial Parts Diagram	Description	Code No.
—	Assembly, baffle	CR.005.219	—	Clamp, speaker mounting	CS.234.813
—	Assembly, chassis cover	CR.572.017	—	Clip, dial glass mounting	CS.227.000
—	Assembly, cursor	CR.480.618	—	Cloth, speaker baffle	CE.081.14
1	Assembly, dial drum	CR.382.805	—	Contact, aerial plate	CS.106.204
—	Assembly, dial glass mounting bracket	CR.265.200	5	Cord, dial	CS.361.817
—	Assembly, lampholder	CZ.367.900	4	Cord, drum	CS.361.818
—	Assembly, T/C on/off switch (Complete)	CZ.200.215	—	Glass dial, printed	CS.412.241
—	Assembly, T/C clicker	CR.450.019	—	Grommet, chassis mounting	CS.422.421
—	Assembly, terminal	CZ.376.200	—	Grommet, power cord	CS.422.414
—	Back, cabinet	CS.462.037	—	Knob, vol. and tone controls	CR.523.646
—	Badge, Philips	CR.531.406	—	Knob, tuning control	CR.523.647
—	Bank, T/C switch	CZ.200.204	—	Nut, tee (chassis mtg.)	CH.603.014
—	Bracket, cab. back top mounting	CS.244.602	—	Plate, aerial	CS.108.000
—	Bracket, gantry top	CR.295.000	—	Plate, anchoring (bottom cover)	CS.257.905
—	Bracket, gantry side	CS.250.002	7	Pulley, wooden (large)	CS.360.202
—	Bracket, lampholder mounting R.H.	CR.265.201	8	Pulley, wooden (small)	CS.360.201
—	Bracket, lampholder mounting L.H.	CR.265.202	—	Ring C (tuning spindle)	CS.281.802
—	Bracket, volume control mounting	CS.230.602	—	Rod, dial slide	CS.382.209
—	Bracket, slide rod mounting	CS.244.601	—	Shield, chassis	CS.117.239
—	Bracket, tuning spindle	CS.224.607	—	Socket, octal wafer	CZ.369.507
—	Cabinet	CS.460.481	—	Socket, pick-up	CZ.370.106
—	Clamp, baffle mounting	CS.235.826	6	Spindle, tuning	CS.351.222
			2	Spring, dial drum	CS.210.010
			—	Spring, slide rod	CS.255.001
			—	Spring, tuning spindle	CS.212.001
			—	Switch, mains on/off	CZ.220.001

DIAL PARTS
DIAGRAM

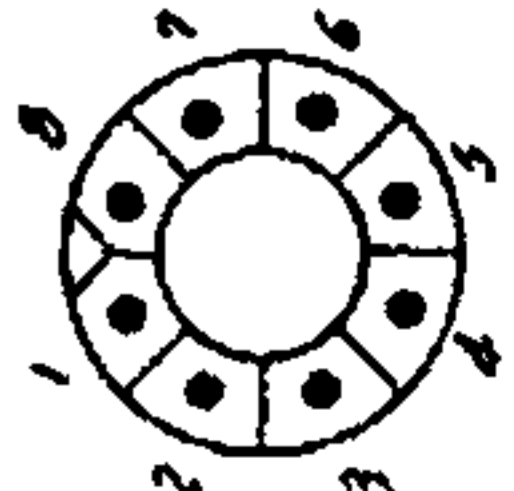
L	1, 2,	4, 3	5, 6, 7, 8, 9, 10	11, 12,	13	14, 15,	16					
C	1, 2, 3, 4,	5, 6, 7, 8, 9,	10, 11, 12, 13,	14, 15,	16, 17, 18, 19, 20,	21, 22, 23,	24, 25, 26, 27, 28, 29,	30,				
R	1,	2, 3,	4,	5, 6, 7, 8, 9,	10, 11, 12,	13,	14, 15,	16, 17, 18,	19,	20, 21,		
V	1,	2, 3,	4,	5, 6, 7, 8, 9, 10,	11, 12,	13,	14,	15,	16,	17, 18,	19,	20, 21,



Switch A1: shown in Off Position



PIN VIEW OF SPEAKER PLUG SHOWING NUMBERING



COIL CONNECTIONS NUMBERING (View of Lug)