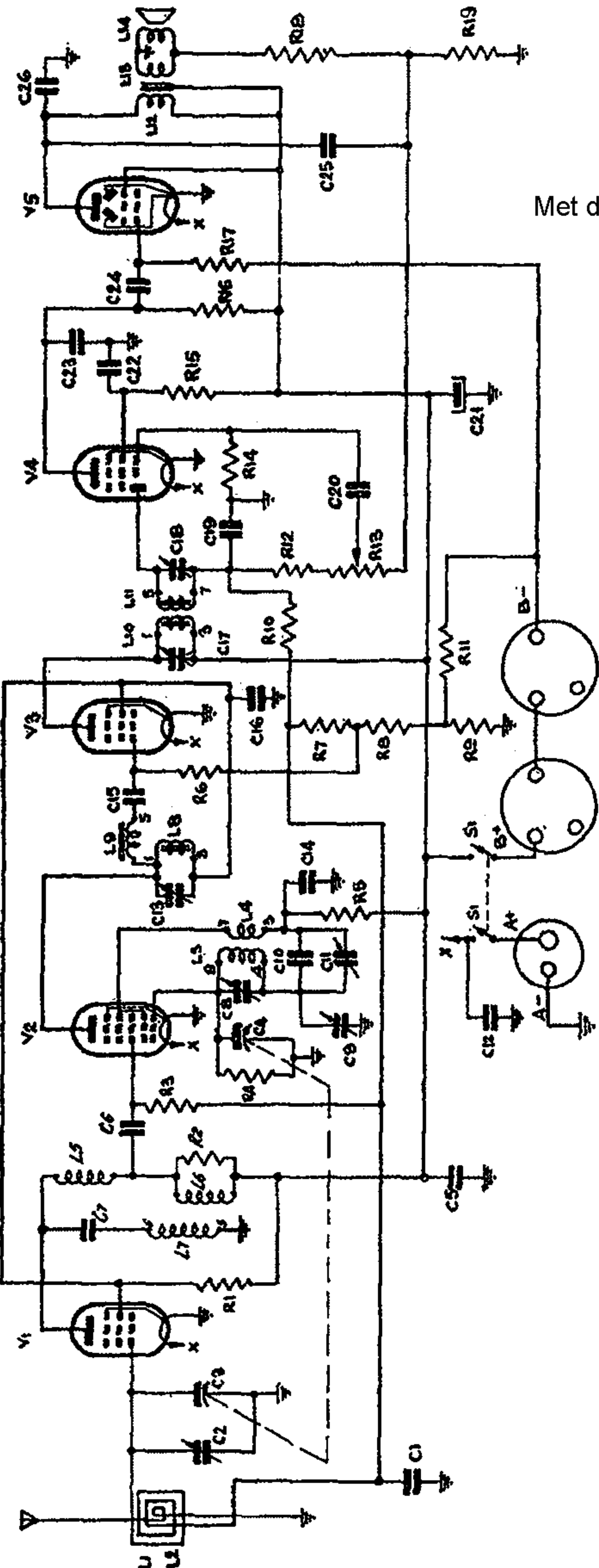


Met dank aan John Koster



VIEW OF PLUGS LOOKING AT PINS

Valve Function	Valve No.	Valve Type	Plate Volts	Screen Volts
R.F. Amplifier	V1	1T4	82	39
Frequency Converter	V2	1R5	39	45
I.F. Amplifier	V3	1T4	82	39
Demodulator, A.V.C. and 1st Audio	V4	1S5	22	10
Power Amplifier	V5	1Q5GT	80	82

B- chassis — -4.7 volts