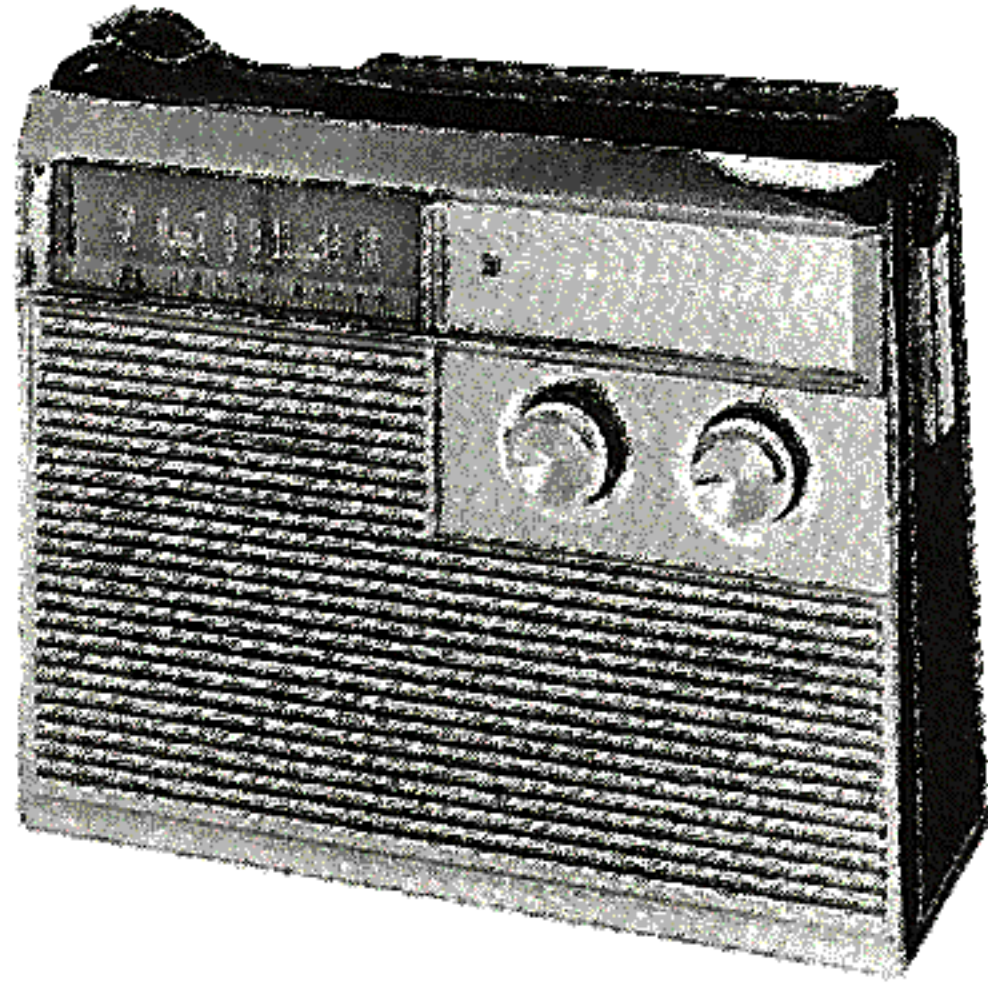


Met dank aan Jef Bos



PHOTOFACT[®] with

CIRCUITRACE[®]

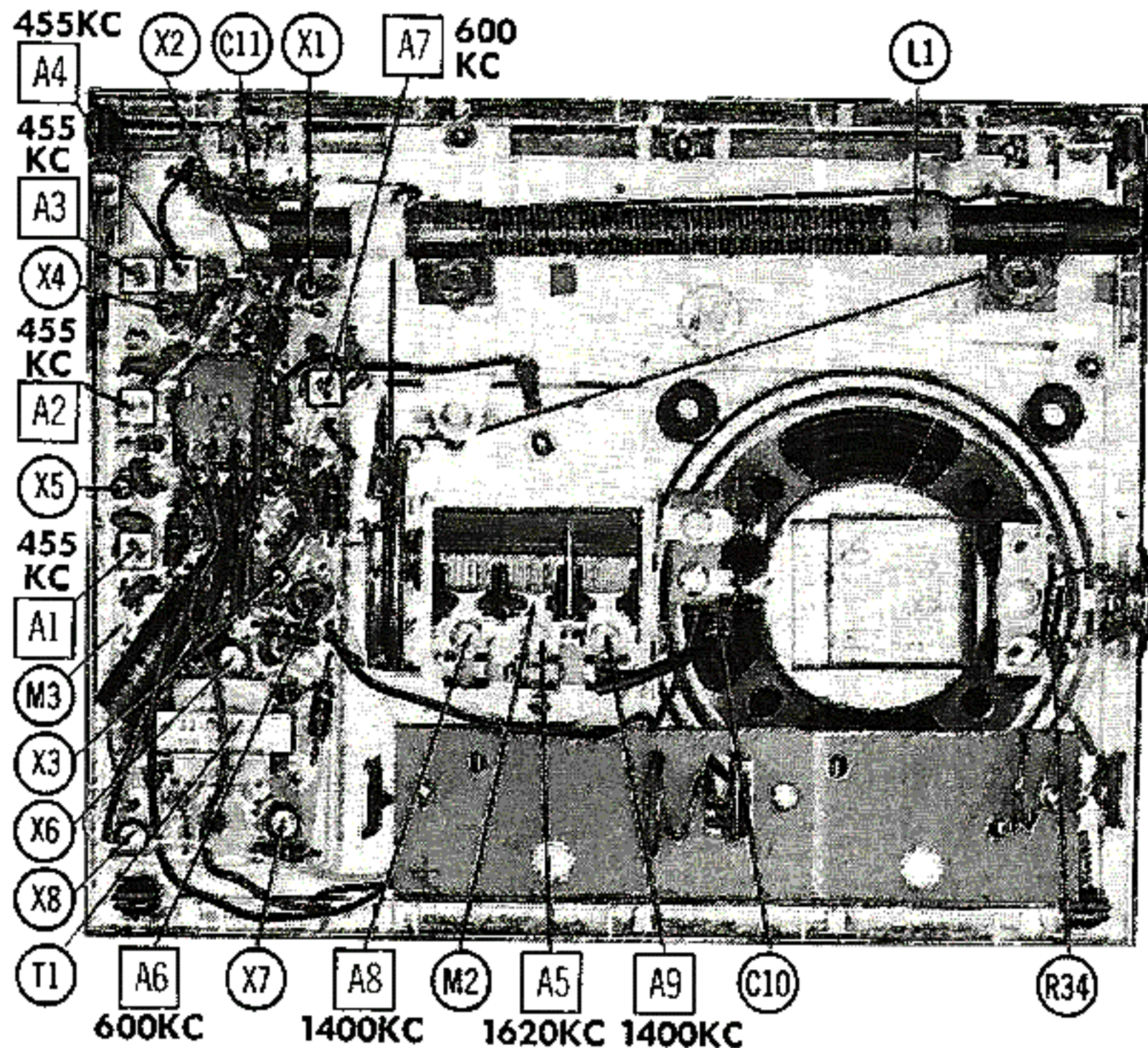


TRADE NAME : Philco Model T-805, Code 124, 126
 SUPPLIER : Philco Corp., A Subsidiary of Ford Motor Co., Tioga & "C" Sts., Philadelphia Pa.
 TYPE SET : 8 Transistor AM Receiver
 POWER SUPPLY : 3 Volts DC
 RATING : 10MA @ 3VDC (No Signal)
 20MA @ 3VDC (Normal Signal)
 TUNING RANGE : Broadcast 540-1620KC

ALIGNMENT INSTRUCTIONS

Check for specified source voltage.
 Fashion loop of several turns of wire and connect generator across loop.
 Adjust output of generator to radiate only enough signal into receiver to obtain a suitable indication.
 Suggested Alignment Tools: A1 thru A4, A6, A7 GENERAL CEMENT #5067, 8282, 8606
 A5, A8, A9 WALSCO #2526, 2543
 GENERAL CEMENT #5000, 5066, 8290
 WALSCO #2512, 2525, 2528

	SIGNAL GENERATOR FREQUENCY	RADIO DIAL SETTING	INDICATOR	ADJUST	REMARKS
1.	455KC (400v Mod.)	Tuning gang fully open.	Output Meter across voice coil.	A1, A2, A3, A4	Adjust for maximum. Repeat as required.
2.	1620KC	"	"	A5	Adjust for maximum.
3.	600KC	Tune to Signal.	"	A6, A7	Rock tuning gang and adjust for maximum. Repeat steps 2 and 3.
4.	1400KC	"	"	A8, A9	Adjust for maximum.



TRANSISTORS

ITEM No.	ORIG. TYPE	USE	REPLACEMENT DATA			NOTES
			DELCO PART No.	GENERAL ELECTRIC PART No.	RCA PART No.	
X1	T2441	RF Amplifier	DS-25	GE-1		PNP
	HR5*		DS-25	GE-1		PNP
X2	T2441	Mixer	DS-25	GE-1		PNP
	HR9*		DS-25	GE-1		PNP
X3	T2440	Oscillator	DS-25	GE-1		PNP
	HR8*		DS-25	GE-1		PNP
X4	T2439	1st IF Amplifier	DS-25	GE-1		PNP
	HR5*		DS-25	GE-1		PNP
X5	T2440	2nd IF Amplifier	DS-25	GE-1		PNP
	HR9*		DS-25	GE-1		PNP
X6	T1001	Driver	DS-26	GE-1	2N408	PNP
	HR7*		DS-26	GE-1	2N408	PNP
X7	T1004①	Output	DS-26	GE-1	2N270	PNP
	T1008*①		DS-26	GE-1	2N270	PNP
	HR3*①		DS-26	GE-1	2N270	PNP
X8	T1004①	Output	DS-26	GE-1	2N270	PNP
	T1008*①		DS-26	GE-1	2N270	PNP
	HR3*①		DS-26	GE-1	2N270	PNP

① Matched Pair

* Alternate Value

ELECTROLYTIC CAPACITORS

ITEM No.	RATING		REPLACEMENT DATA						
	CAP.	VOLT.	PHILCO PART No.	AEROVOX PART No.	CORNELL-DUBILIER PART No.	GENERAL ELECTRIC PART No.	GENERAL INSTRUMENT PART No.	MALLORY PART No.	SPRAGUE PART No.
C1	250	3	30-2588-12	PTT15	NLW250-3	MT1-24	MLV250-3	TT3X250	TE-1065
C2	10	6	30-2591-3	PTT23	NLW10-6	MT1-5	MLV10-6	TT6X10	TE-1087

FIXED CAPACITORS

ITEM No.	RATING		REMARKS	REPLACEMENT DATA					
				AEROVOX PART No.	CENTRALAB PART No.	CORNELL-DUBILIER PART No.	ELMENCO PART No.	MALLORY PART No.	SPRAGUE PART No.
C10	2.7	10%							10TCC-V27
C11	.01			TTD-02	CK-203	H3		TA-120	TG-S20
C12	.01			TTD-02	CK-203	H3		TA-120	TG-S20
C13	.01			TTD-02	CK-203	H3		TA-120	TG-S20
C14	.01			TTD-02	CK-203	H3		TA-120	TG-S20
C15	.01			TTD-02	CK-203	H3		TA-120	TG-S20
C16	.01			TTD-02	CK-203	H3		TA-120	TG-S20
C17	.01			TTD-02	CK-203	H3		TA-120	TG-S20
C18	.01			TTD-02	CK-203	H3		TA-120	TG-S20
C19	.01			TTD-02	CK-203	H3		TA-120	TG-S20
C20	.05			TTD-05	CK-503	H5		TA-150	TG-S50
C21	.01			TTD-02	CK-203	H3		TA-120	TG-S20
C22	.2				UK10-204				

CONTROLS

All wattages 1/2 watt, or less, unless otherwise listed.

ITEM No.	USE	RESISTANCE	REPLACEMENT DATA				
			PHILCO PART No.	CENTRALAB PART No.	CLAROSTAT PART No.	CTS-IRC PART No.	MALLORY PART No.
R1	Volume and Switch	15K	33-5583-29	F2-10K, AK-38, KR-2, SU204			

COILS (RF-IF)

ITEM No.	USE	REPLACEMENT DATA					NOTES
		PHILCO PART No.	MERIT PART No.	MILLER PART No.	STANCOR PART No.	WORKMAN PART No.	
L1	Loopstick	32-4868-15					
L2	RF	32-4818-1					
L3	Osc.	32-4802-6					
L4	1st IF	32-4800-11					
L5	2nd IF	32-4800-12					
L6	3rd IF	32-4800-13					
L7	4th IF	32-4800-14					

D DESCRIPTION

TRANSFORMER (DRIVER)

ITEM No.	TURNS RATIO		REPLACEMENT DATA				NOTES
	PRI.	SEC.1	PHILCO PART No.	MERIT PART No.	STANCOR PART No.	THORDARSON PART No.	
T1	1.8	1 SEC.2 1	32-8838-4				

SPEAKER

ITEM No.	TYPE	REPLACEMENT DATA		NOTES
		PHILCO PART No.	QUAM PART No.	
SP1	3 1/2" PM 8Ω	36-1652-8	3A07Z8	

BATTERIES

ITEM No.	VOLTAGE	PHILCO PART No.	REPLACEMENT DATA			NOTES
			BURGESS	EVEREADY	MALLORY	
M1	1 1/2V		230 (AL-2)	A100 (E95)	M-13R (MNI300)	2 Req.

MISCELLANEOUS

ITEM No.	PART NAME	PHILCO PART No.	NOTES
M2	Tuning Cap	31-2791-4	3 Gang (1N60C)
M3	Det Diode	34-8022-5	

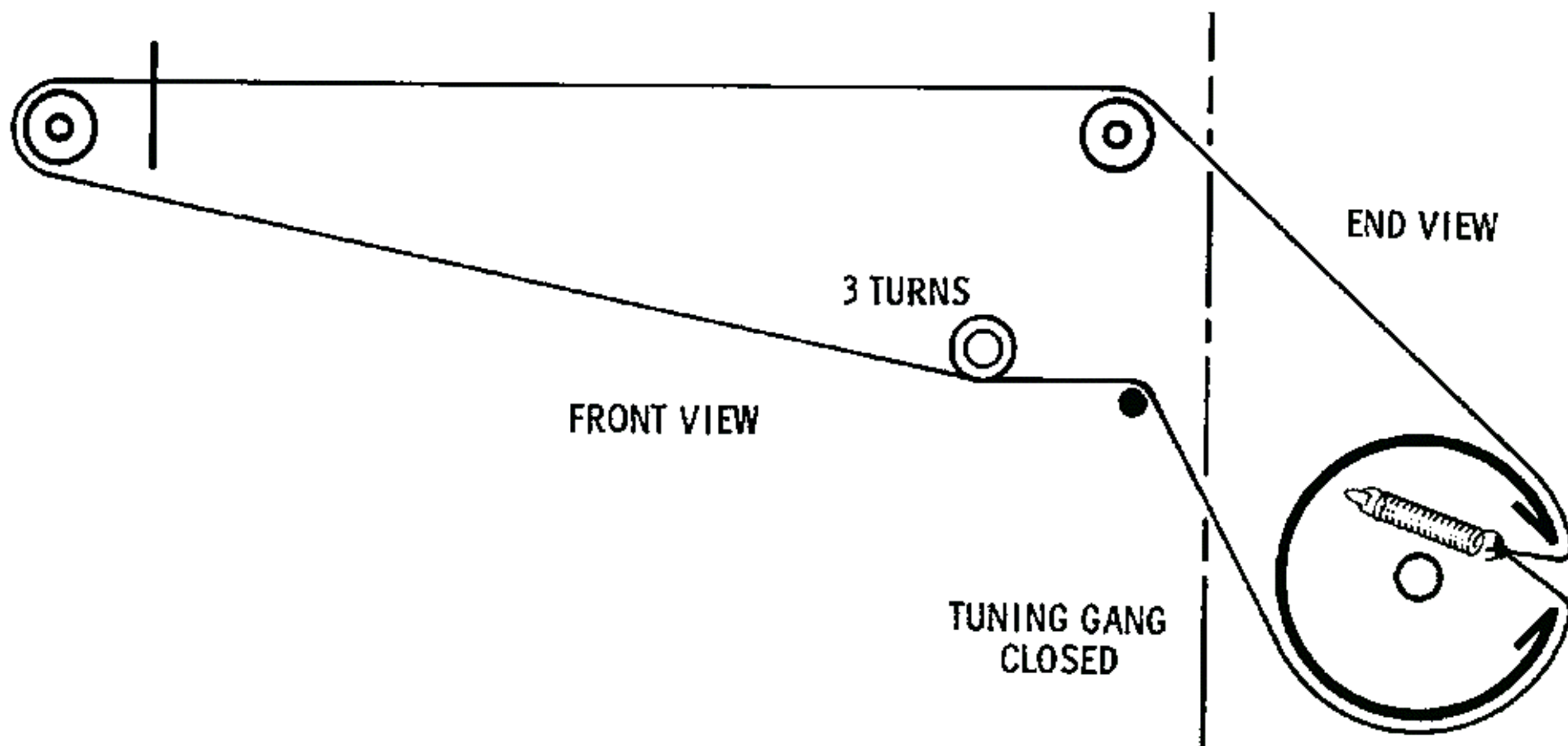
CABINETS & CABINET PARTS

(When Ordering Specify Model, Chassis & Color)

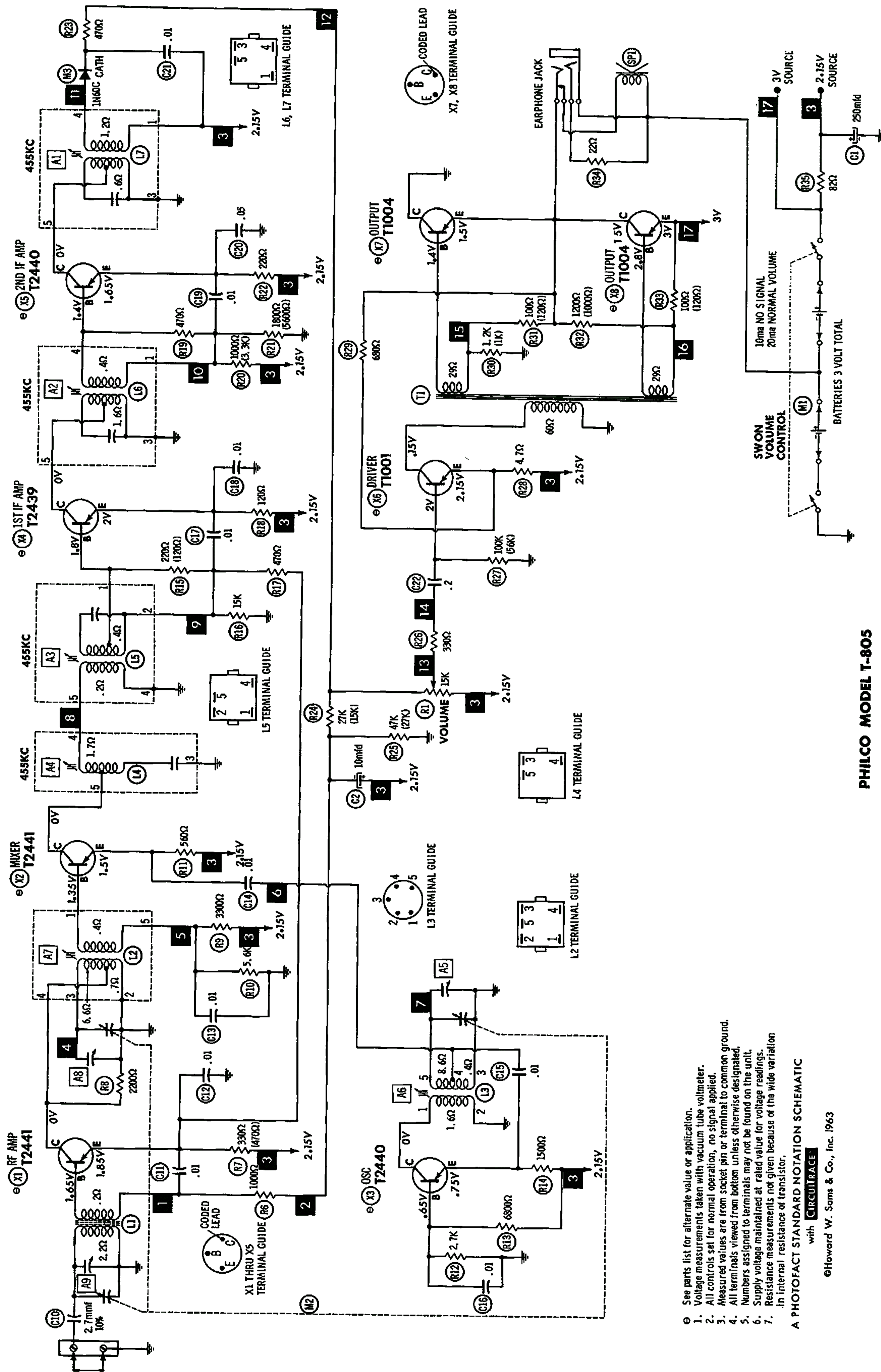
ITEM	PART No.	ITEM	PART No.
Dial Pointer	28-14251-1	Cabinet Front, Gold	76-12931
Dial Scale	27-10379-1	Cabinet Back, Black	51-0249-1
Dial Backplate	28-14207-1	Cabinet Back, Brown	51-0249-2
Knob, Volume, Black Cabinet	424-8440	Escutcheon, Handle Mtg. Polished Alum	28-14223-1
Knob, Volume Brown Cabinet	424-8519	Escutcheon, Handle Mtg. Gold	28-14223-2
Knob, Tuning, Black Cabinet	424-8439	Door Slide, Brushed Alum	28-14220-1
Knob, Tuning, Brown Cabinet	424-8520	Door Slide, Gold	28-14220-2
Cabinet, Front, Polished Alum	76-12719		

WIRING DATA

General-use Unshielded Hook-up Wire Use BELDEN No. 8530 (Solid 22AWG) Available in 12 Colors
 8524 (Stranded 22AWG)
 8570 (Stranded 26AWG)



DIAL CORD STRINGING



- ⊖ See parts list for alternate value or application.
- 1. Voltage measurements taken with vacuum tube voltmeter.
- 2. All controls set for normal operation, no signal applied.
- 3. Measured values are from socket pin or terminal to common ground.
- 4. All terminals viewed from bottom unless otherwise designated.
- 5. Numbers assigned to terminals may not be found on the unit.
- 6. Supply voltage maintained at rated value for voltage readings.
- 7. Resistance measurements not given because of the wide variation in internal resistance of transistor.

A PHOTOFACT STANDARD NOTATION SCHEMATIC
with **CIRCUITACE**

