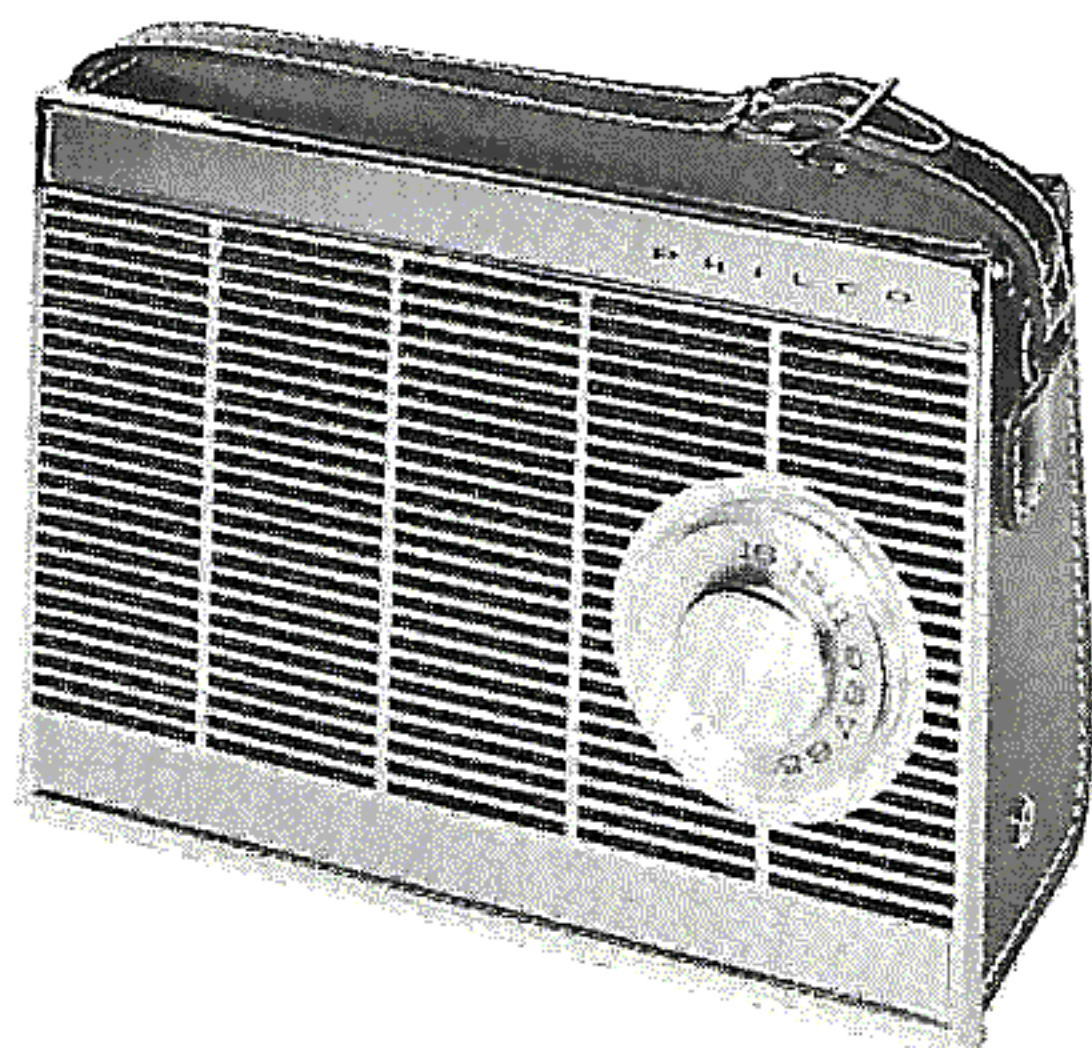


with

CIRCUITRACE®

Met dank aan Jef Bos



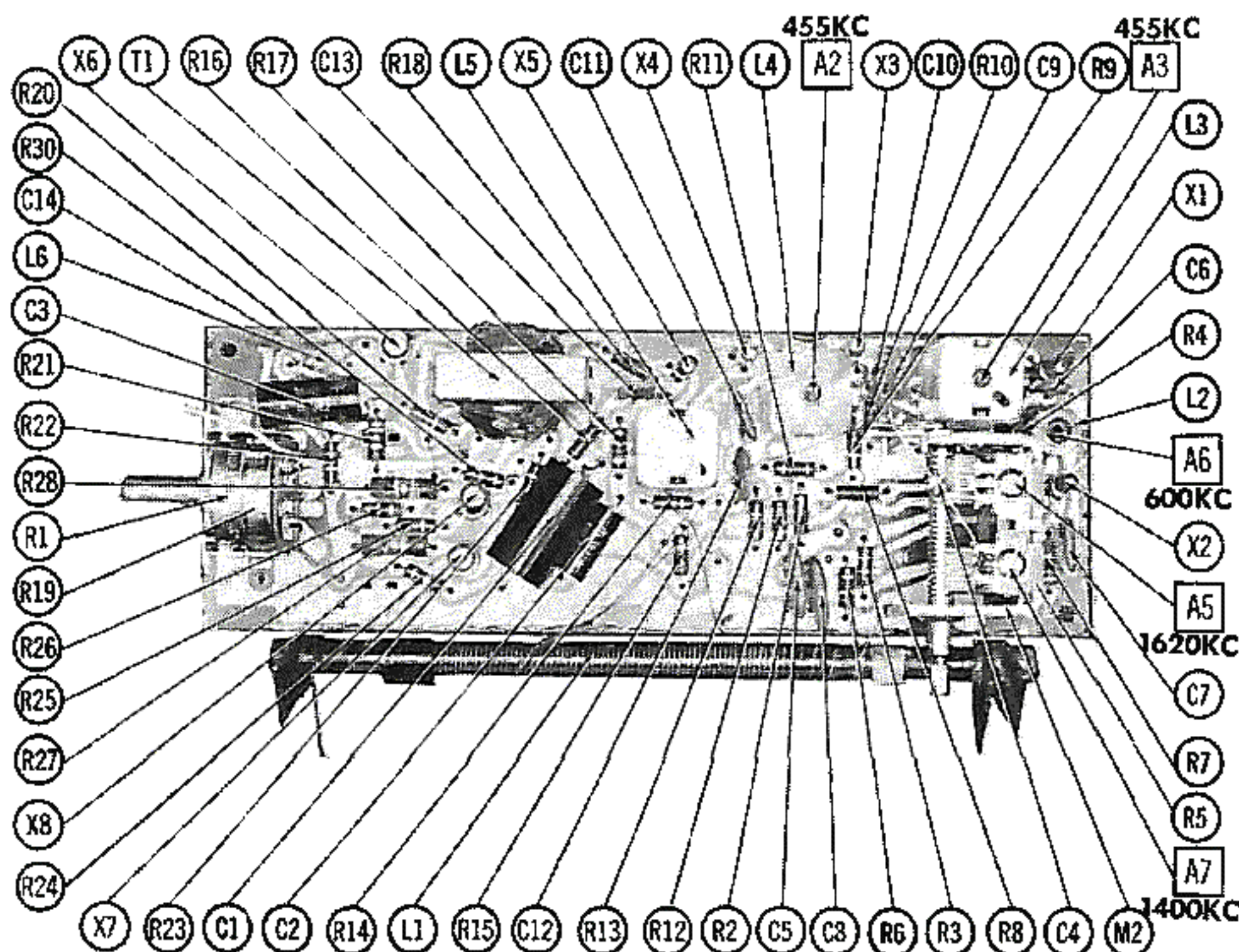
TRADE NAME: Philco Model T-804
 SUPPLIER: Philco Corp., A Subsidiary of Ford Motor Co.
 Tioga & C Streets, Philadelphia, Pa.
 TYPE SET: 8 Transistor AM Receiver
 POWER SUPPLY: 6 Volts DC
 RATING: 16 MA@6 VDC (No Signal, Min. Volume)
 25 MA@6 VDC (Signal, Normal Volume)
 TUNING RANGE: BROADCAST 540 - 1620KC

ALIGNMENT INSTRUCTIONS

Check for specified source voltage.
 Fashion loop of several turns of wire and connect generator across loop.
 Adjust output of generator to radiate only enough signal into receiver to obtain a suitable indication.
 Suggested Alignment Tools:

A1 thru A4, A6..... GENERAL CEMENT #5067, 8282, 8606
 WALSCO #2526, 2543
 A5, A7..... GENERAL CEMENT #5000, 5066, 8290
 WALSCO #2525

	SIGNAL GENERATOR FREQUENCY	RADIO DIAL SETTING	INDICATOR	ADJUST	REMARKS
1.	455KC (400v Mod.)	Tuning gang fully open.	Output Meter across voice coil.	A1, A2, A3, A4	Adjust for maximum. Repeat as required.
2.	1620KC	"	"	A5	Adjust for maximum.
3.	600KC	Tune to Signal.	"	A6	Rock tuning gang and adjust for maximum. Repeat steps 2 and 3.
4.	1400KC	"	"	A7	Adjust for maximum.



WIRING DATA

General-use Unshielded Hook-up Wire	Use BELDEN No. 8530 (Solid 22AWG)	Available
	8524 (Stranded 22AWG)	in
	8570 (Stranded 26AWG)	12 Colors

TRANSISTORS

ITEM No.	ORIG. TYPE	USE	REPLACEMENT DATA			NOTES
			DELCO PART No.	GENERAL ELECTRIC PART No.	RCA PART No.	
X1	T1033	Mixer	DS-25	GE-1		PNP
X2	T1308	Osc.	DS-25	GE-1		PNP
X3	T1233	1st IF Amp.	DS-25	GE-1		PNP
X4	T1232	2nd IF Amp.	DS-25	GE-1		PNP
X5	T1033	Det.	DS-25	GE-1	2N218	PNP
X6	T1001	Driver	DS-26	GE-2	2N406	PNP
X7	T1003*	Output	DS-26	GE-2	2N408	PNP
X8	T1003*	Output	DS-26	GE-2	2N408	PNP

* Alternate Type T1007

ELECTROLYTIC CAPACITORS

ITEM No.	RATING		REPLACEMENT DATA						
	CAP.	VOLT.	PHILCO PART No.	AEROVOX PART No.	CORNELL-DUBILIER PART No.	GENERAL ELECTRIC PART No.	GENERAL INSTRUMENT PART No.	MALLORY PART No.	SPRAGUE PART No.
C1	500	6	30-2588-7	PR51120	BR500-6	QT1-30	BL2221	TC605	
C2	50	6	30-2588-11	PTT29	NLW50-6	MT1-15	MLV50-6	TT6X50	TE-1100
C3	200	6	30-2588-8	PTT31	NLW200-12	MT1-24	MLV200-8	TT6X200	TE-1104

FIXED CAPACITORS

ITEM No.	RATING		REMARKS	REPLACEMENT DATA					
				AEROVOX PART No.	CENTRALAB PART No.	CORNELL-DUBILIER PART No.	ELMENCO PART No.	MALLORY PART No.	SPRAGUE PART No.
C4	2.7	10%		NPO-SI 3.0	TCZ-3R3	C10V3C	CCTO-3R3	CNO-533	10TCC-V33
C5	.01			TTD-01	CK-103	H05S1		TA-110	TG-S10
C6	.01			TTD-01	CK-103	H05S1		TA-110	TG-S10
C7	.01			TTD-01	CK-103	H05S1		TA-110	TG-S10
C8	.01			TTD-01	CK-103	H05S1		TA-110	TG-S10
C9	.01			TTD-01	CK-103	H05S1		TA-110	TG-S10
C10	.01			TTD-01	CK-103	H05S1		TA-110	TG-S10
C11	.01			TTD-01	CK-103	H05S1		TA-110	TG-S10
C12	.01			TTD-01	CK-103	H05S1		TA-110	TG-S10
C13	.1mfd	10V		TTD-1	CK-104	H05P1		TA-010	TG-P10
C14	.47mfd	10V	Note 1		UK10-404	HCC10474Z			HY-330

Note 1. Some versions may use 10mfd in this application (Part #30-2591-9).

CONTROLS

All wattages 1/2 watt, or less, unless otherwise listed.

ITEM No.	USE	RESISTANCE	REPLACEMENT DATA					
			PHILCO PART No.	CENTRALAB PART No.	CLAROSTAT PART No.	CTS-IRC PART No.	MALLORY PART No.	
R1	Volume & Switch	4000Ω	33-5575-25	F2-5000, SU204, AK-38, AK-39				RU53A, SL40, SF1000, US42

DESCRIPTION

COILS (RF-IF)

ITEM No.	USE	REPLACEMENT DATA					NOTES
		PHILCO PART No.	MERIT PART No.	MILLER PART No.	STANCOR PART No.	WORKMAN PART No.	
L1	Loopstick Oscillator 1st IF 2nd IF 3rd IF	32-4668-1					
L2		32-4669-9					
L3		32-4738-14					
L4		32-4738-2					
L5		32-4738-3					

TRANSFORMER (DRIVER)

ITEM No.	TURNS RATIO		REPLACEMENT DATA					NOTES
	PRI.	SEC1	PHILCO PART No.	MERIT PART No.	STANCOR PART No.	THORDARSON PART No.	TRIAD PART No.	
T1	2.5	1	32-8947-1					
		SEC. 2						
		1						

SPEAKER

ITEM No.	TYPE	REPLACEMENT DATA		NOTES
		PHILCO PART No.	QUAM PART No.	
SP1	4" PM 10-12Ω	36-1675-13		

BATTERIES

ITEM No.	VOLTAGE	PHILCO PART No.	REPLACEMENT DATA			NOTES
			BURGESS	EVEREADY	MALLORY	
M1	6V		230 (or AL-2)	A100 (or E95)	M-13R (or MN1300)	4 Required

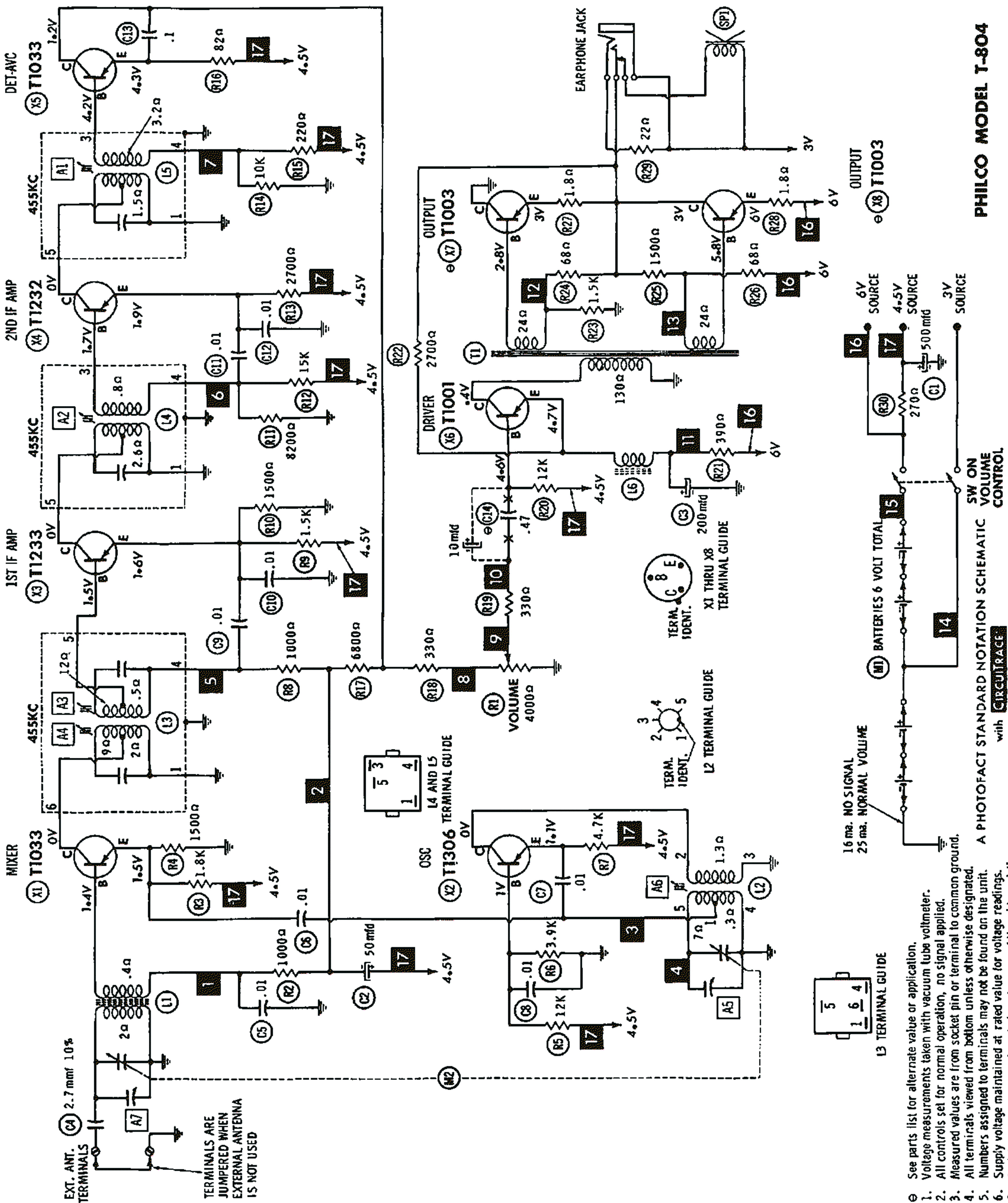
MISCELLANEOUS

ITEM No.	PART NAME	PHILCO PART No.	NOTES
M2	Tuning Cap.	31-2790-26	

CABINETS & CABINET PARTS

(When Ordering Specify Model, Chassis & Color)

ITEM	PART No.	ITEM	PART No.
Knob - Tuning	424-8430	Knob - Indicator	28-14224
Knob - Volume	424-8431		



- See parts list for alternate value or application.
1. Voltage measurements taken with vacuum tube voltmeter.
 2. All controls set for normal operation, no signal applied.
 3. Measured values are from socket pin or terminal to common ground.
 4. All terminals viewed from bottom unless otherwise designated.
 5. Numbers assigned to terminals may not be found on the unit.
 6. Supply voltage maintained at rated value for voltage readings.
 7. Resistance measurements not given because of the wide variation in internal resistance of transistor.

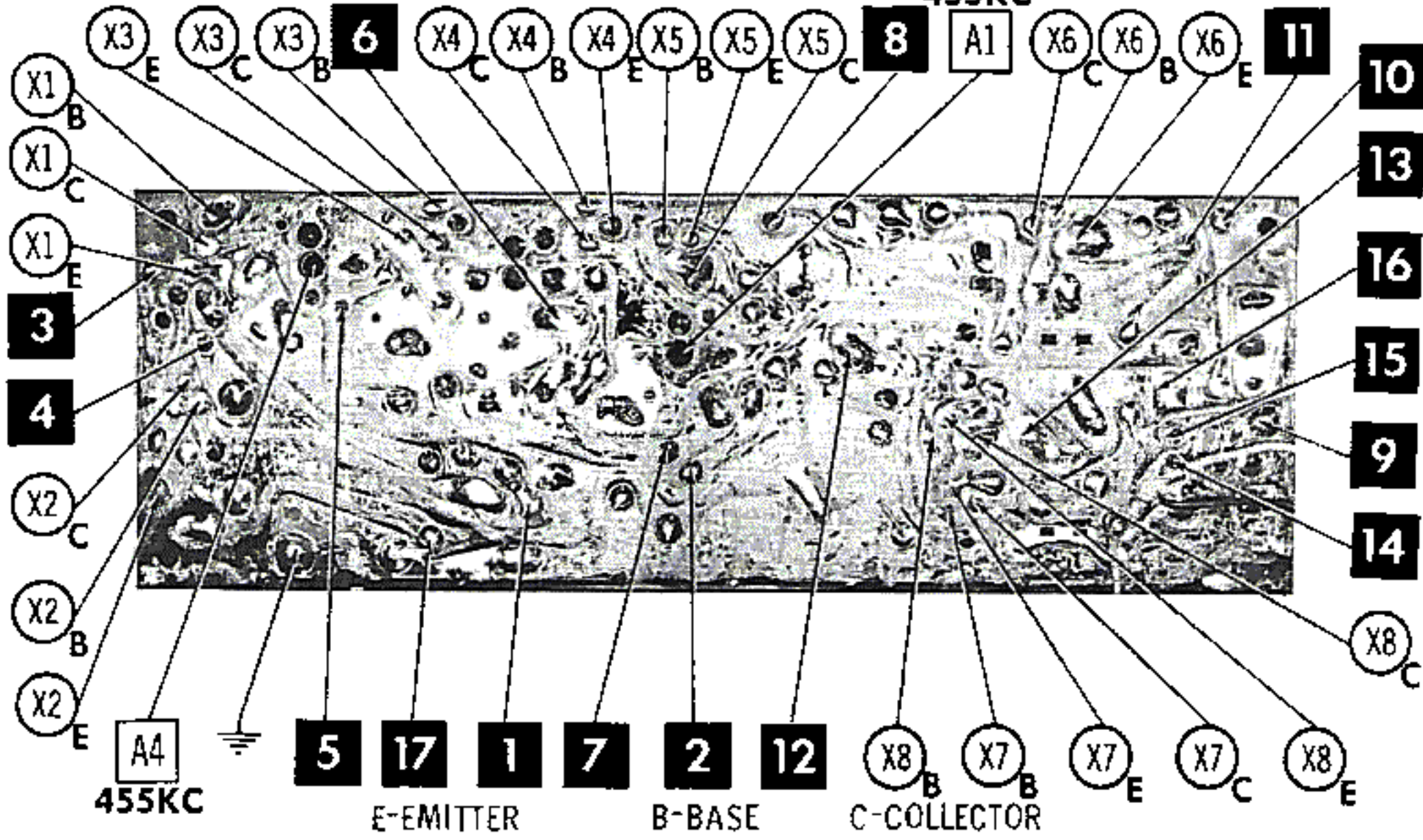
PHILCO MODEL T-804

A PHOTOFACT STANDARD NOTATION SCHEMATIC

with **CIRCUITACE**

©Howard W Sams & Co., Inc. 1963

455KC



E-EMITTER

B-BASE

C-COLLECTOR