

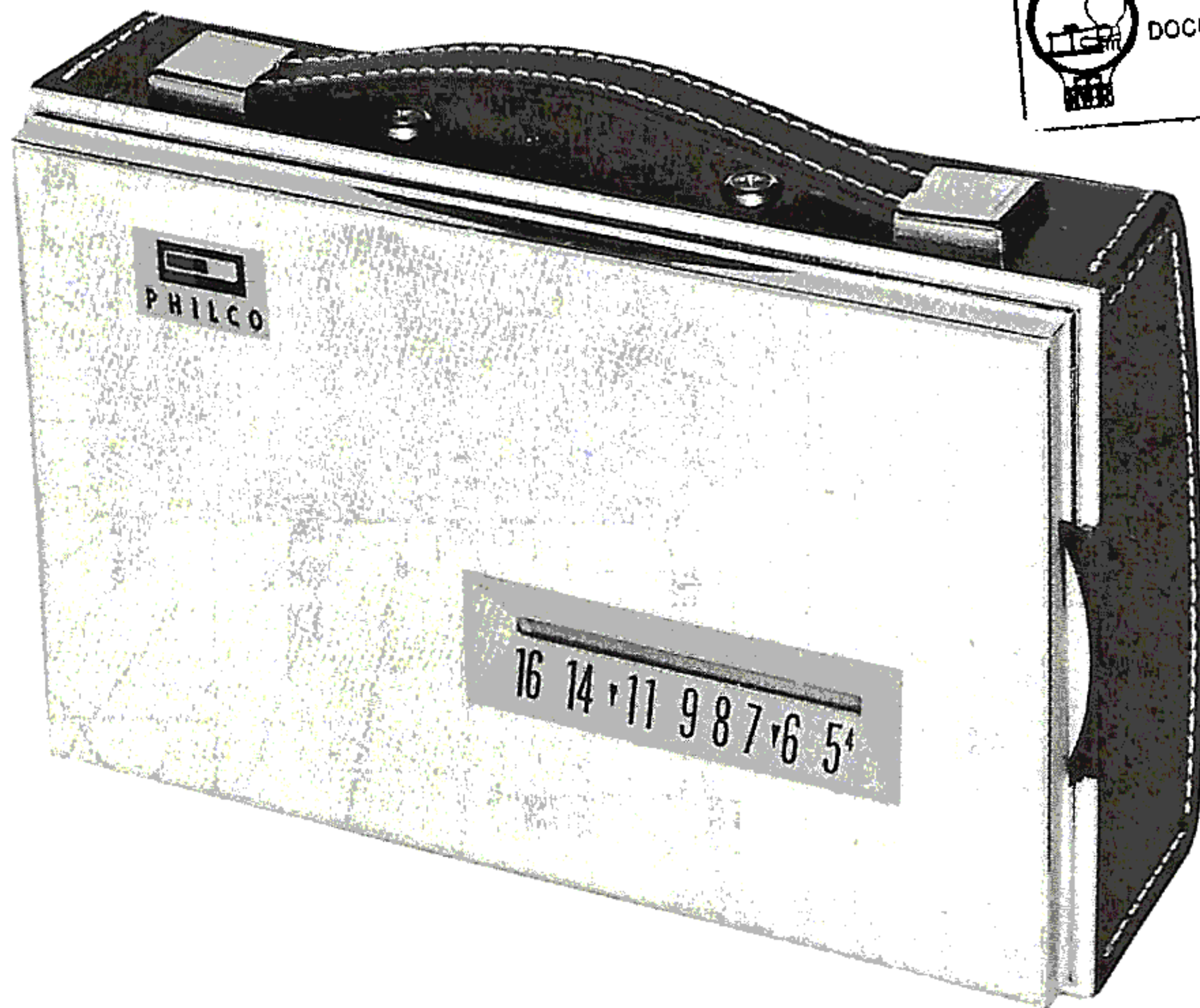
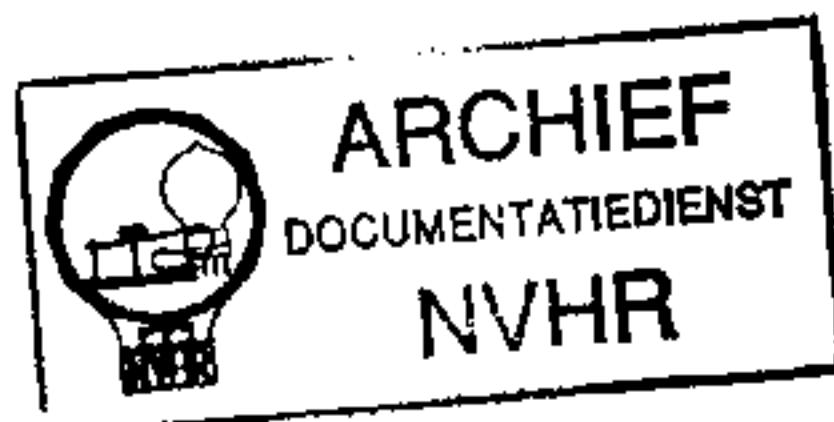
PHOTOFACT® Folder

with CIRCUITRACE™

PHILCO MODEL
T-74-124

Ned. Ver. v. Historie v/d Radio

Met dank aan Jef Bos



TRADE NAME	Philco Model T-74-124		
MANUFACTURER	Philco Corp., Tioga & C Streets, Philadelphia, Pa.		
TYPE SET	Battery Operated Transistorized Portable AM Receiver		
POWER SUPPLY	6 Volts DC	RATING	10MA @ 6 Volts DC (No Signal, Min. Volume)
TUNING RANGE	BROADCAST 535 - 1620KC		25MA @ 6 Volts DC (Signal, Normal Volume)

ALIGNMENT INSTRUCTIONS

ALIGNMENT INSTRUCTIONS—READ CAREFULLY BEFORE ATTEMPTING ALIGNMENT

Volume control should be at maximum position. Output of signal generator should be no higher than necessary to obtain an output reading.

Suggested Alignment Tools: A1 thru A4 GENERAL CEMENT #5009, 8195, 8274, 8275, 8728, 8729, 8987, 8988, 8989
 WALSCO #2515, 2531, 2532
 A5 GENERAL CEMENT #8282, 8606, 8606L, 9295, 9440
 WALSCO #2526, 2543, 2544, 2545
 A6, A7 GENERAL CEMENT #5004, 5008, 5009
 WALSCO #2520

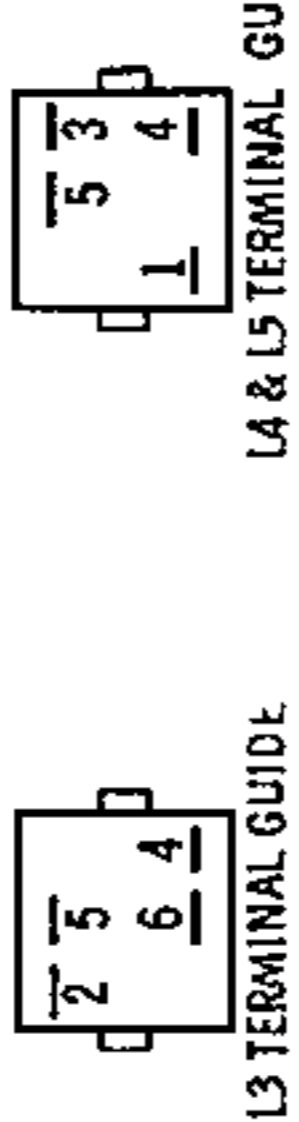
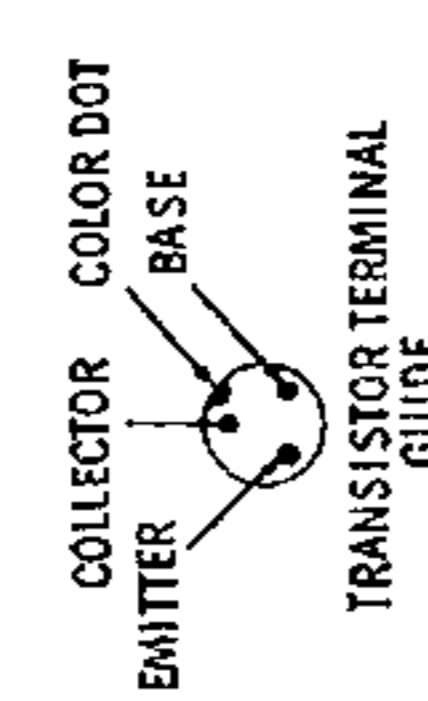
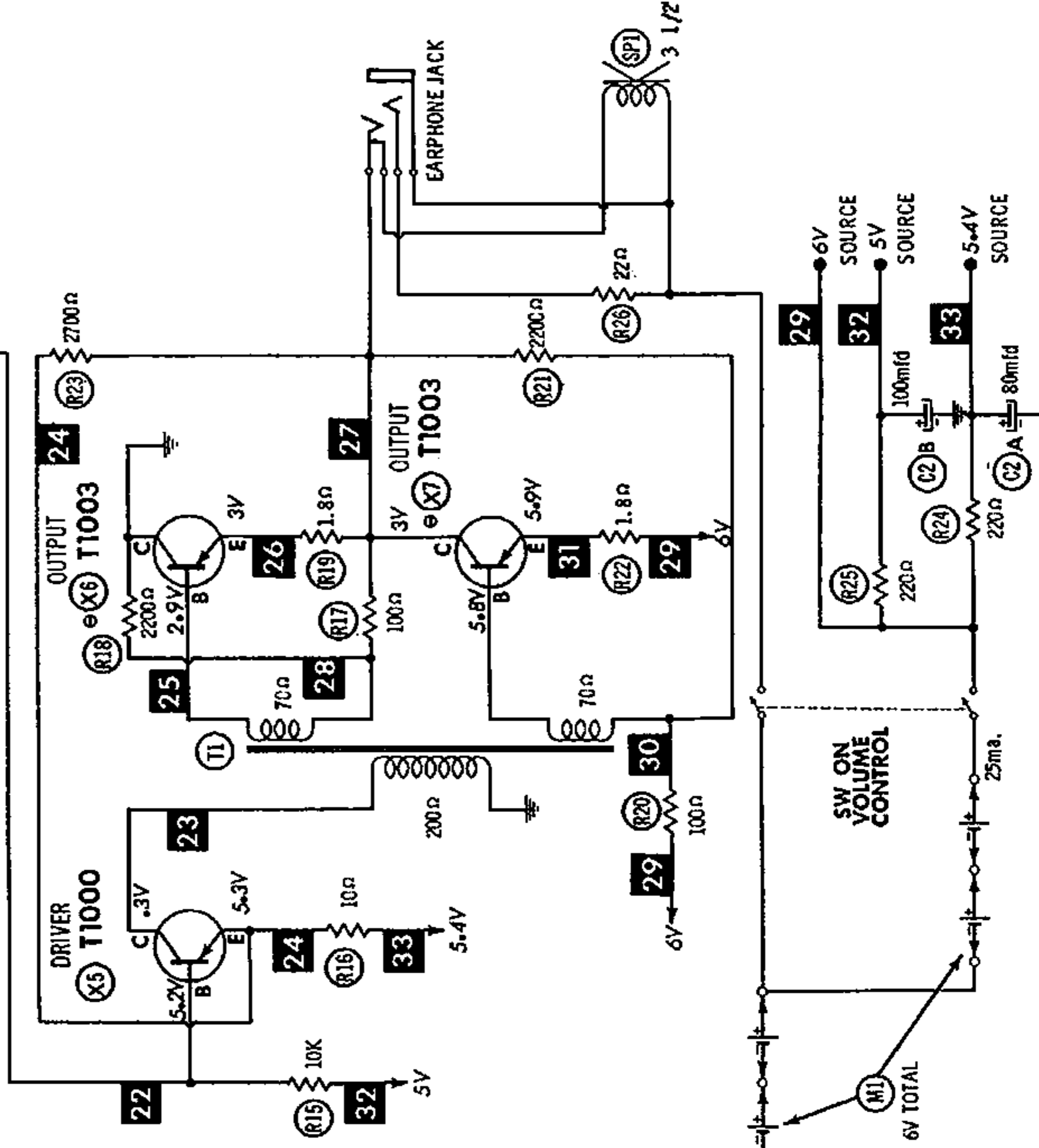
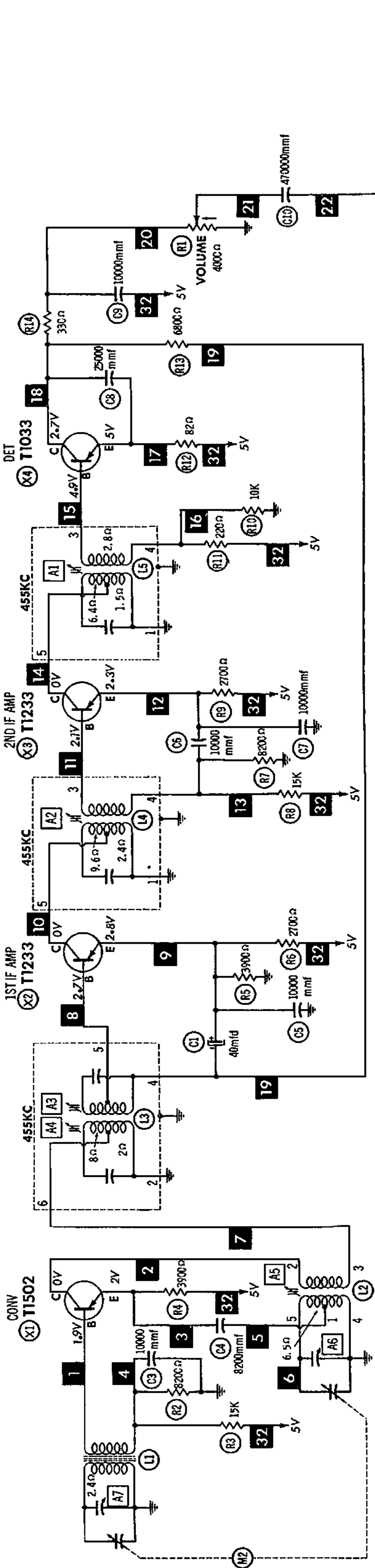
	SIGNAL GENERATOR COUPLING	SIGNAL GENERATOR FREQUENCY	RADIO DIAL SETTING	OUTPUT METER	ADJUST	REMARKS
1.	High side thru .1mfd to antenna stator lug of tuning gang. Low side to chassis.	455KC (400v Mod.)	Tuning gang fully open	Across voice coil	A1, A2, A3, A4	Adjust for maximum output.
2.	Loop	600KC	600KC	"	A5	Fashion loop of several turns of wire and radiate signal into loop of receiver. Adjust for maximum output.
3.	"	1620KC	Tuning gang fully open	"	A6	"
4.	"	1400KC	1400KC	"	A7	Adjust for maximum output. Repeat steps 2, 3 and 4.

HOWARD W. SAMS & CO., INC. Indianapolis 6, Indiana

The listing of any available replacement part herein does not constitute in any case a recommendation, warranty or guaranty by Howard W. Sams & Co., Inc., as to the quality and suitability of such replacement part. The numbers of these parts have been compiled from information furnished to Howard W. Sams & Co., Inc., by the manufacturers of KF337

the particular type of replacement part listed. Reproduction or use, without express permission, of editorial or pictorial content, in any manner, is prohibited. No patent liability is assumed with respect to the use of the information contained herein. © 1961 Howard W. Sams & Co., Inc., Indianapolis 6, Indiana. Printed in U.S. of America





⊙ SEE PARTS LIST FOR ALTERNATE VALUE OR APPLICATION
 DC COIL RESISTANCE VALUES UNDER ONE OHM NOT SHOWN ON SCHEMATIC DIAGRAM
 ARROWS ON CONTROLS INDICATE CLOCKWISE ROTATION (CONTROL VIEWED FROM SHAFT END)

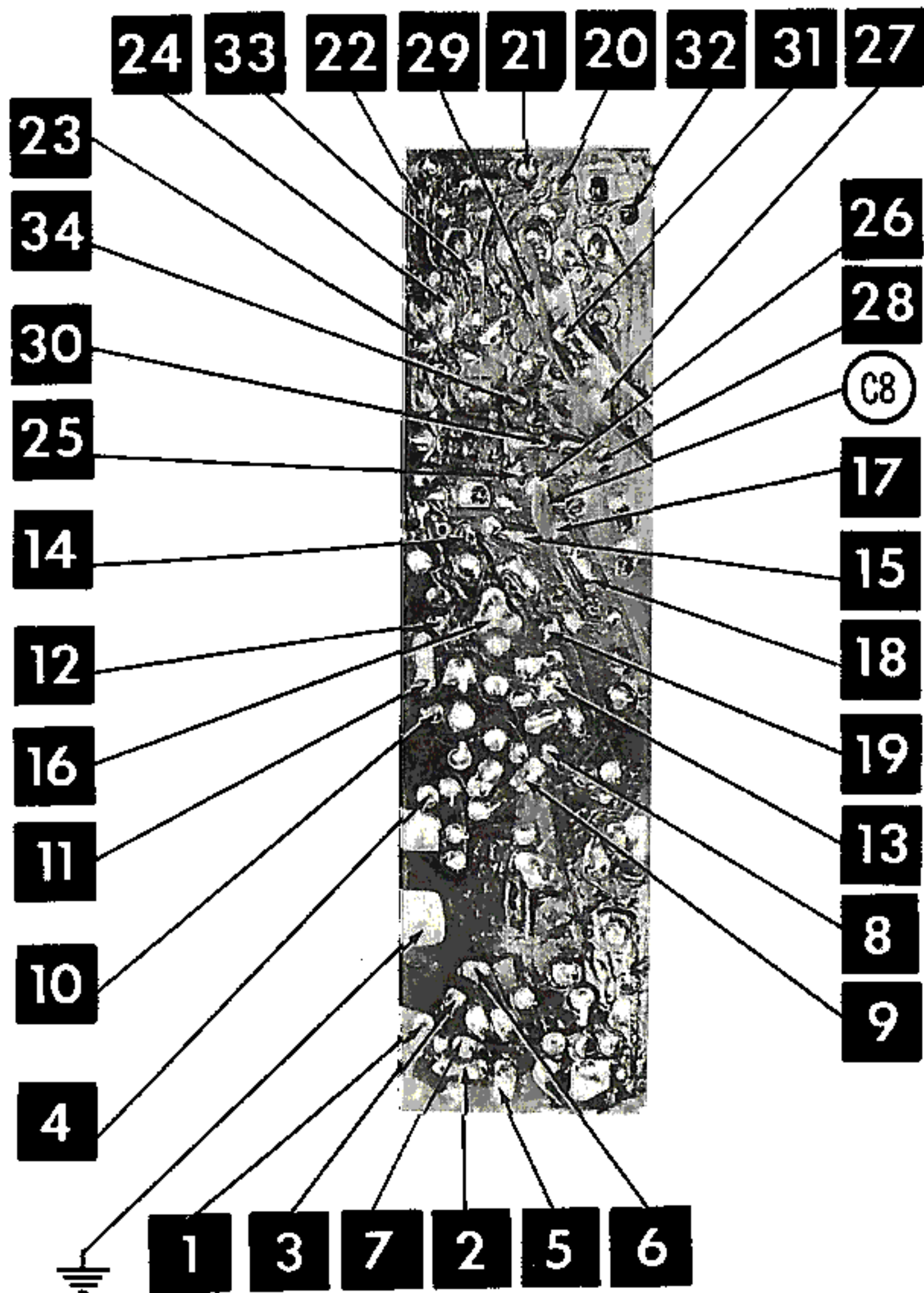
1. DC voltage measurements taken with vacuum tube voltmeter.
2. Socket connections or transistor terminals are shown as bottom views.
3. Measured values are from socket pin or terminal to common ground.
4. Nominal tolerance on component values makes possible a variation of ±15% in voltage and resistance readings.
5. Volume control at maximum, no signal applied for voltage measurements.

RESISTANCE MEASUREMENTS NOT GIVEN BECAUSE OF THE WIDE VARIATION IN INTERNAL TRANSISTOR RESISTANCE

NUMBERS ASSIGNED TO COILS, SWITCHES, PLUGS, SOCKETS, AND TRANSFORMERS ARE TO FACILITATE CIRCUIT TRACING OR COMPONENT REPLACEMENT AND MAY NOT NECESSARILY BE FOUND ON THE UNIT.

PRINTED BOARD

A Howard W. Sams **CIRCUITRACE** Photo



PARTS LIST AND DESCRIPTIONS (Continued)

COILS (RF-IF)

ITEM No.	USE	REPLACEMENT DATA					NOTES
		PHILCO PART No.	Merit PART No.	Miller PART No.	Stancor PART No.	Workman TV PART No.	
L1	Loopstick	32-4668-11					
L2	Osc.	32-4669-2					
L3	1st IF	32-4738-1					
L4	2nd IF	32-4738-2					
L5	3rd IF	32-4738-3					

TRANSFORMER (DRIVER)

ITEM No.	TURNS RATIO		REPLACEMENT DATA					NOTES
			PHILCO PART No.	Merit PART No.	Stancor PART No.	Thordarson PART No.	Triad PART No.	
	PRI.	SEC.1						
T1	2	1	32-8950-1					
		SEC.2						
		1						

SPEAKER

ITEM No.	TYPE			REPLACEMENT DATA		NOTES
	SIZE	FIELD	V. C. IMP.	PHILCO PART No.	QUAM PART No.	
SP1	3½"	PM	18-20Ω	36-1652-7	3A05Z20	

BATTERIES

ITEM No.	VOLTAGE	PHILCO PART No.	REPLACEMENT DATA						NOTES
			BURGESS		EVEREADY		MALLORY		
			"A"	"B"	"A"	"B"	"A"	"B"	
ML	1.5V	P-903 *		130 *		835 *		M-14R *	* 4 Required

MISCELLANEOUS

ITEM No.	PART NAME	PHILCO PART No.	NOTES
M2	Tuning Cap. Printed Board Earphone	31-2790-9 54-6574-4 326-8007-1	2 Gang

CABINETS & CABINET PARTS

(When Ordering Cabinets & Cabinet Parts, Specify Model, Chassis & Color)

NAME	PART NO.	DESCRIPTION
Knob	424-8089	Tuning
Knob	424-8090	Volume
Cabinet	54-5719-2	Front
Cabinet	51-0125-2	Back
Handle	54-5725-1	Strap

WIRING DATA

General-use Unshielded Hook-up Wire Use BELDEN No. 8530 (Solid) Available in Ten Colors
8524 (Stranded) Available in Ten Colors

CHASSIS—TOP VIEW

