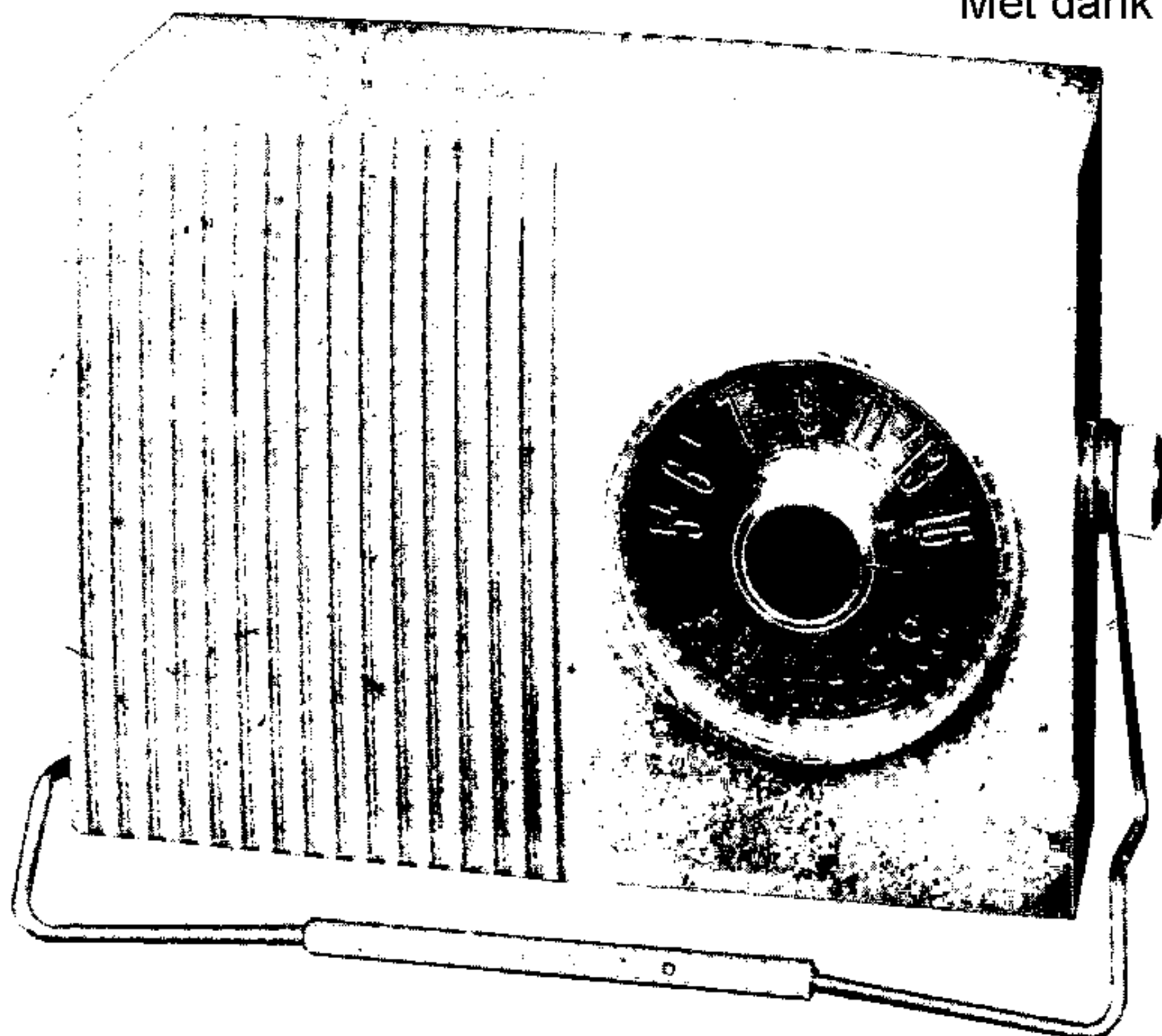




Met dank aan Jef Bos



TRADE NAME	Philco Models T-700, T-800 (Codes 124, 126)	
MANUFACTURER	Philco Corp., Tioga & "C" Sts., Philadelphia, Pa.	
TYPE SET	Battery Operated Portable AM Transistorized Receiver	
POWER SUPPLY	6 Volts DC	RATING 13MA @ 6 Volts DC
TUNING RANGE—BROADCAST	535KC to 1620KC	

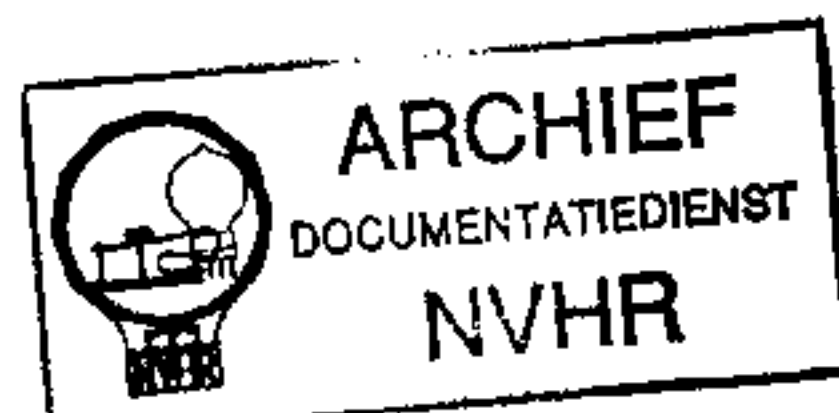
ALIGNMENT INSTRUCTIONS—READ CAREFULLY BEFORE ATTEMPTING ALIGNMENT

Volume control should be at maximum position. Output of signal generator should be no higher than necessary to obtain an output reading. Use an insulated alignment screwdriver for adjusting.

DUMMY ANTENNA	SIGNAL GENERATOR COUPLING	SIGNAL GENERATOR FREQUENCY	RADIO DIAL SETTING	OUTPUT METER	ADJUST	REMARKS
1. .1mf	High side to ant. stator on tuning gang. Low side to chassis,	455KC (400% Mod.)	Tuning gang fully open.	Across Voice Coil	A1, A2, A3, A4,	Adjust for maximum deflection.
2.	Loop	1620KC	1620KC	"	A5	Fashion loop of several turns of wire and radiate signal into loop of receiver. Adjust for maximum output
3.	"	600KC	600KC	"	A6	Fashion loop of several turns of wire and radiate signal into loop of receiver. Adjust for maximum output while rocking tuning gang.
4.	"	1400KC	1400KC	"	A7	Fashion loop of several turns of wire and radiate signal into loop of receiver. Adjust for maximum output. Repeat sets 2 thru 4.

Harmonic whistle, when encountered, may be reduced by bending C11 near R15 and X4.

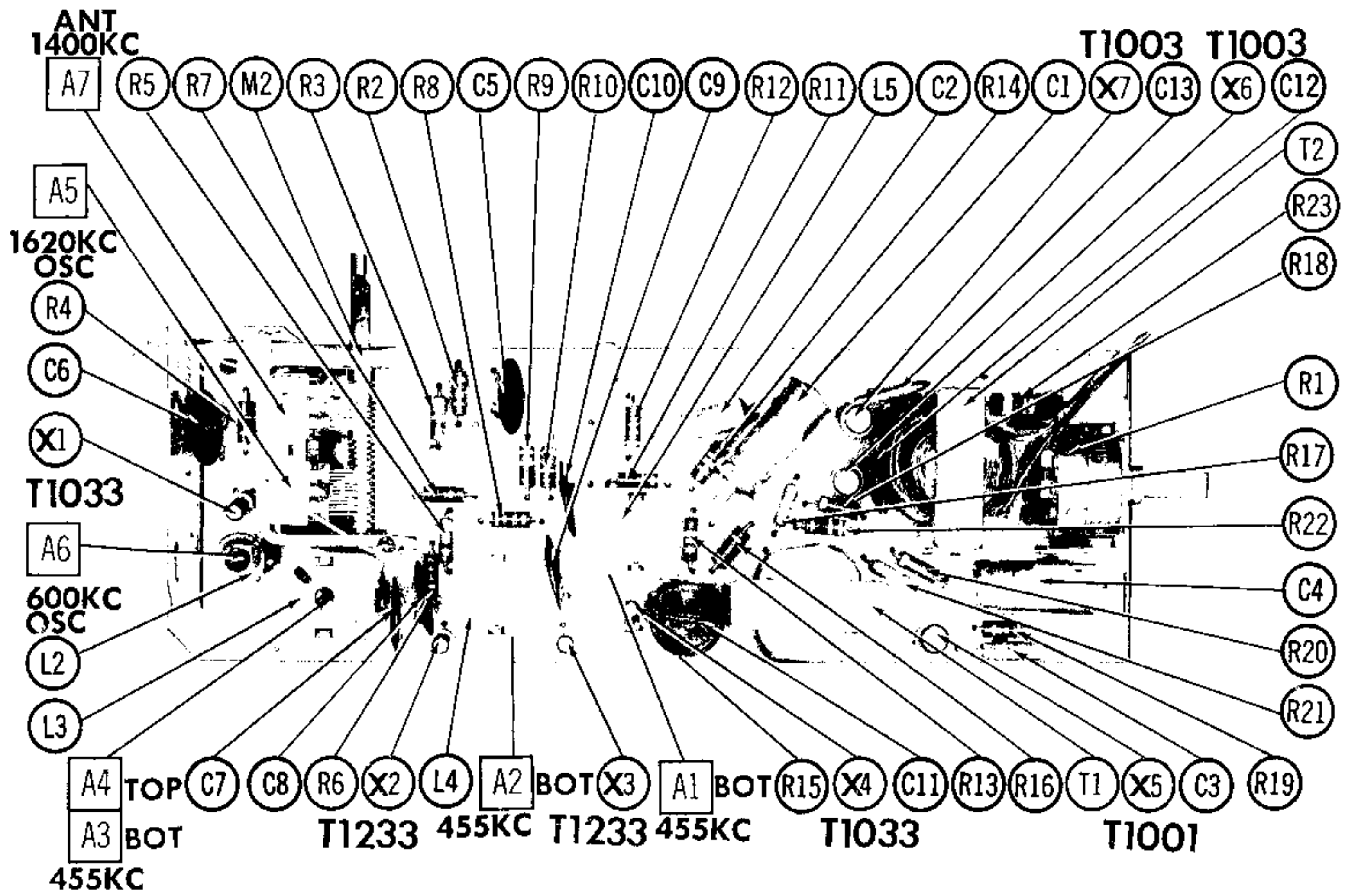
Ned. Ver. v. Historie v/d Rac



HOWARD W. SAMS & CO., INC. • Indianapolis 5, Indiana

The listing of any available replacement part herein does not constitute in any case a recommendation, warranty or guaranty by Howard W. Sams & Co., Inc., as to the quality and suitability of such replacement part. The numbers of these parts have been compiled from information furnished to Howard W. Sams & Co., Inc., by the manufacturers of H424

the particular type of replacement part listed. Reproduction or use, without express permission, of editorial or pictorial content, in any manner, is prohibited. No patent liability is assumed with respect to the use of the information contained herein. © 1958 Howard W. Sams & Co., Inc., Indianapolis 5, Indiana. Printed in U.S. of America



CHASSIS TOP VIEW

PARTS LIST AND DESCRIPTIONS

TRANSISTORS

ITEM No.	ORIG. TYPE	USE	REPLACEMENT DATA			NOTES
			CBS PART No.	RAYTHEON PART No.	SYLVANIA PART No.	
X1	T1033	Converter				Note 1 Note 2 Note 2
X2	T1233	1st IF Amplifier				
X3	T1232	2nd. IF Amplifier				
X4	T1033	Detector				
X5	T1001	Driver				
X6	T1003	Output				
X7	T1003	Output				

Note 1. Type T1000 used in code 126

Note 2. Some codes 124 chassis use type T1007. Code 126 chassis use type T1008

ELECTROLYTIC CAPACITORS

ITEM No.	RATING		REPLACEMENT DATA						NOTES
	CAP.	VOLT.	PHILCO PART No.	AEROVOX PART No.	CORNELL-DUBILIER PART No.	MALLORY PART No.	PYRAMID PART No.	SANGAMO PART No.	
C1	100	6	30-2588-4	PWE6V100	BBR100-6	TT6X100	ML100-6		TVA-1101
C2	20	6	30-2588-1 ①	PWE8020	NL20-6	TT6X25	ML20-6		TE-1090
C3	1	6	30-2591-5	XPP-6001	NL1-6	TT12X1	ML1-6		TE-1080
C4	100	6	30-2588-4	SRE6V100	BBR100-6	TT6X100	ML100-6		TVA-1101

① Alternate Part #30-2591-3 used in some versions

FIXED CAPACITORS

Capacity values given in the rating column are in mfd. for Paper Capacitors, and in mmfd. for Mica and Ceramic Capacitors.

ITEM No.	RATING		REPLACEMENT DATA						NOTES
	CAP.	VOLT	PHILCO PART No.	AEROVOX PART No.	CENTRALAB PART No.	CORNELL-DUBILIER PART No.	MALLORY PART No.	SPRAGUE PART No.	
C5	10000		30-1262	BPD-01	DD-103	BYA10S1	DC511	5HK-S1	
C6	10000		30-1262	BPD-01	DD-103	BYA10S1	DC511	5HK-S1	
C7	10000		30-1262	BPD-01	DD-103	BYA10S1	DC511	5HK-S1	
C8	10000		30-1262	BPD-01	DD-103	BYA10S1	DC511	5HK-S1	
C9	10000		30-1262	BPD-01	DD-103	BYA10S1	DC511	5HK-S1	
C10	10000		30-1262	BPD-01	DD-103	BYA10S1	DC511	5HK-S1	
C11	10000		30-1262	BPD-01	DD-103	BYA10S1	DC511	5HK-S1	
C12	10000		30-1262	BPD-01	DD-103	BYA10S1	DC511	5HK-S1	
C13	10000		30-1262	BPD-01	DD-103	BYA10S1	DC511	5HK-S1	

CONTROLS

ITEM No.	RATING		REPLACEMENT DATA					INSTALLATION NOTES
	RESISTANCE	WATTS	PHILCO PART No.	CENTRALAB PART No.	CLAROSTAT PART No.	IRC PART No.	MALLORY PART No.	
R1	4000Ω	$\frac{1}{2}$	33-5575-10					Volume & Switch

RESISTORS

All wattages 1/2 watt, or less, unless otherwise listed.

ITEM No.	RATING		PHILCO PART No.	NOTES	ITEM No.	RATING		PHILCO PART No.	NOTES
	OHMS	WATT				OHMS	WATT		
R2	8200Ω		66-2828340		R13	6800Ω		66-2688340	
R3	15K		66-3158340		R14	27K		66-3278340	
R4	2700Ω		66-2278340		R15	330Ω		66-1338340	
R5	1000Ω		66-2108340		R16	82Ω		66-0828340	
R6	2200Ω		66-2228340		R17	1800Ω		66-2188340	
R7	1000Ω		66-2108340		R18	220Ω		66-1228340	
R8	8200Ω		66-2828340		R19	12Ω		66-0128340	
R9	15K		66-3158340		R20	560Ω		66-1568340	
R10	2700Ω		66-2278340		R21	1800Ω 5%		66-2188240	
R11	10K		66-3108340		R22	33Ω 5%		66-0338240	
R12	220Ω		66-1228340		R23	4.7Ω		66-9478360	

PARTS LIST AND DESCRIPTIONS (Continued)

TRANSFORMER (DRIVER)

ITEM No.	TURNS RATIO		REPLACEMENT DATA						NOTES	
			PHILCO PART No.	Halldorson PART No.	Merit PART No.	Ram PART No.	Stancor PART No.	Thordarson PART No.		Triad PART No.
	PRI.	SEC.								
T1	1:	1	32-8813							

TRANSFORMER (AUDIO OUTPUT)

ITEM No.	IMPEDANCE		REPLACEMENT DATA						NOTES	
			PHILCO PART No.	Halldorson PART No.	Merit PART No.	Ram PART No.	Stancor PART No.	Thordarson PART No.		Triad PART No.
	PRI.	SEC.								
T2	180Ω	3-4Ω	32-8812							

SPEAKER

ITEM No.	TYPE			REPLACEMENT DATA		NOTES
				PHILCO PART No.	QUAM PART No.	
	SIZE	FIELD	V. C. IMP.			
SP1	4"	PM	3-4Ω	38-1654-22 ^① 36-1654-20 ^②	4A1	① Used in Model T-800 ② Used in Model T-700

COILS (RF-IF)

ITEM No.	USE	REPLACEMENT DATA					NOTES
		PHILCO PART No.	Meissner PART No.	Merit PART No.	Miller PART No.	Ram PART No.	
L1	Loop Stick	32-4668-1					
L2	Osc. Coil	32-4669-2					
L3	1st. IF	32-4738-1					
L4	2nd. IF	32-4738-2					
L5	3rd. IF	32-4738-3					

BATTERIES

ITEM No.	VOLTAGE	PHILCO PART No.	REPLACEMENT DATA								NOTES
			BURGESS		EVEREADY		MALLORY		RAY-O-VAC		
			"A"	"B"	"A"	"B"	"A"	"B"	"A"	"B"	
M1	6V		2R		A100		M-13		2LP		4 Used

MISCELLANEOUS

ITEM No.	PART NAME	PHILCO PART No.	NOTES
M2	Tuning Cap.	31-2783-6	2-Gang (Ant. 19-214mmf)

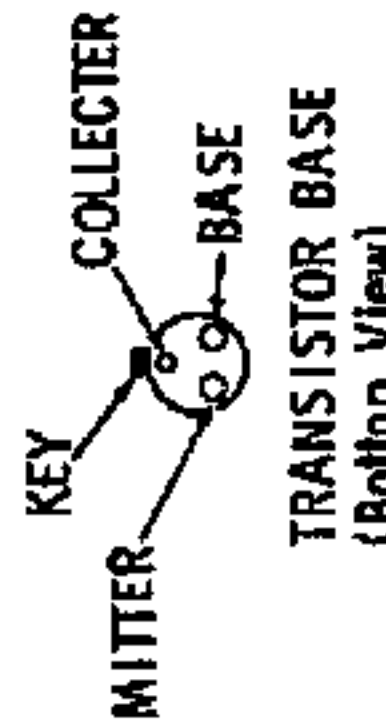
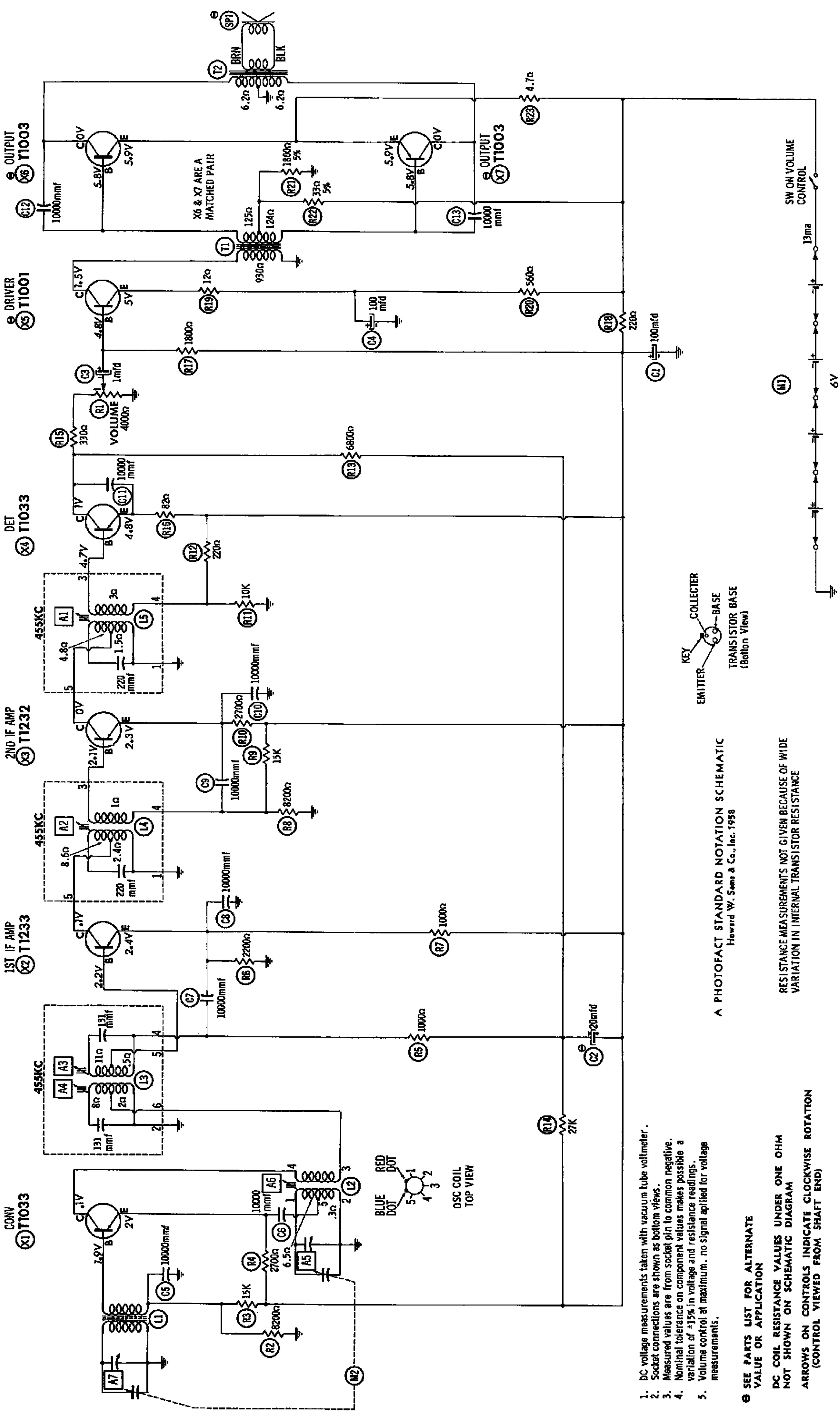
CABINETS & CABINET PARTS

(When Ordering Cabinets & Cabinet Parts, Specify Model, Chassis & Color)

NAME	PART NO.	DESCRIPTION
Knob	54-6282-4	Tuning, Model T-800
Knob	54-6289-9	Volume, Model T-800
Cabinet	11276	Model T-800
Knob	54-6282-3	Tuning, Model T-700
Knob	54-6016-30	Volume, Model T-700
Cabinet	11267	Model T-700

WIRING DATA

General-use Unshielded Hook-up Wire Use BELDEN No. 8530 (Solid) Available in Ten Colors
8524 (Stranded) Available in Ten Colors



A PHOTOFACT STANDARD NOTATION SCHEMATIC
Howard W. Sams & Co., Inc. 1958

1. DC voltage measurements taken with vacuum tube voltmeter.
 2. Socket connections are shown as bottom views.
 3. Measured values are from socket pin to common negative.
 4. Nominal tolerance on component values makes possible a variation of $\pm 15\%$ in voltage and resistance readings.
 5. Volume control at maximum. no signal applied for voltage measurements.
- SEE PARTS LIST FOR ALTERNATE VALUE OR APPLICATION
- DC COIL RESISTANCE VALUES UNDER ONE OHM NOT SHOWN ON SCHEMATIC DIAGRAM
- ARROWS ON CONTROLS INDICATE CLOCKWISE ROTATION (CONTROL VIEWED FROM SHAFT END)

RESISTANCE MEASUREMENTS NOT GIVEN BECAUSE OF WIDE VARIATION IN INTERNAL TRANSISTOR RESISTANCE

6V