

PHOTOFACT® Folder

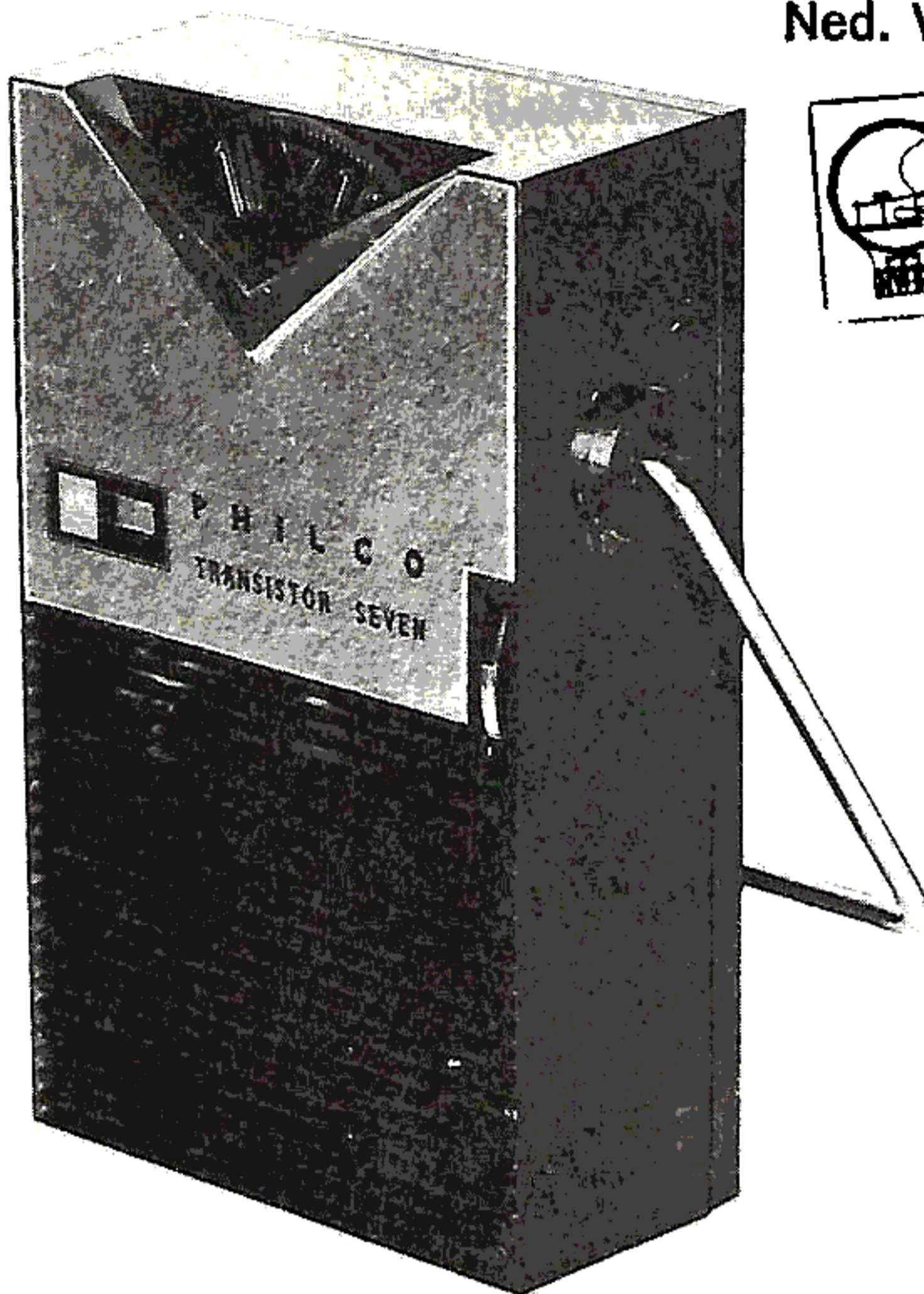
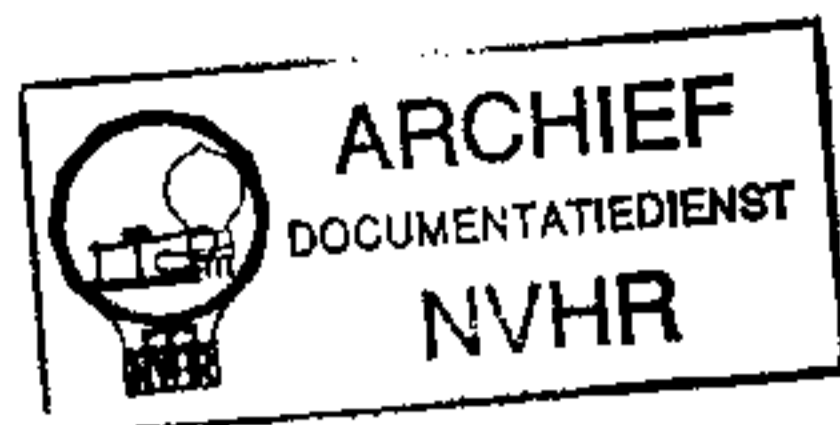
with **CIRCUITRACE®**

**PHILCO MODEL
T-70-124**



Ned. Ver. v. Historie v/d

Met dank aan Jef Bos



TRADE NAME	Philco Model T-70-124		
MANUFACTURER	Philco Corp., Tioga & C Streets, Philadelphia, Pa.		
TYPE SET	Battery Operated Transistorized Portable AM Receiver		
POWER SUPPLY	3 Volts DC	RATING	10MA @ 3 Volts DC (No Signal, Min. Volume)
TUNING RANGE--BROADCAST	535-1620KC		20MA @ 3 Volts DC (Signal, Normal Volume)

ALIGNMENT INSTRUCTIONS

ALIGNMENT INSTRUCTIONS—READ CAREFULLY BEFORE ATTEMPTING ALIGNMENT

Volume control should be at maximum position. Output of signal generator should be no higher than necessary to obtain an output reading.

Suggested Alignment Tools: A1, A2, A3... GENERAL CEMENT #8607, 9291, 9294
 WALSCO #2520, 2522, 2523, 2524, 2534, 2537
 A4..... GENERAL CEMENT #8282, 8606, 8606-L, 9295, 9440
 WALSCO #2526, 2543, 2544, 2545
 A5, A6.... GENERAL CEMENT #5004, 5009, 8195, 8274, 8275, 8607, 8728, 8987, 8988, 8989, 9291
 WALSCO #2515, 2520, 2522, 2523, 2531, 2532, 2534, 2537, 2538

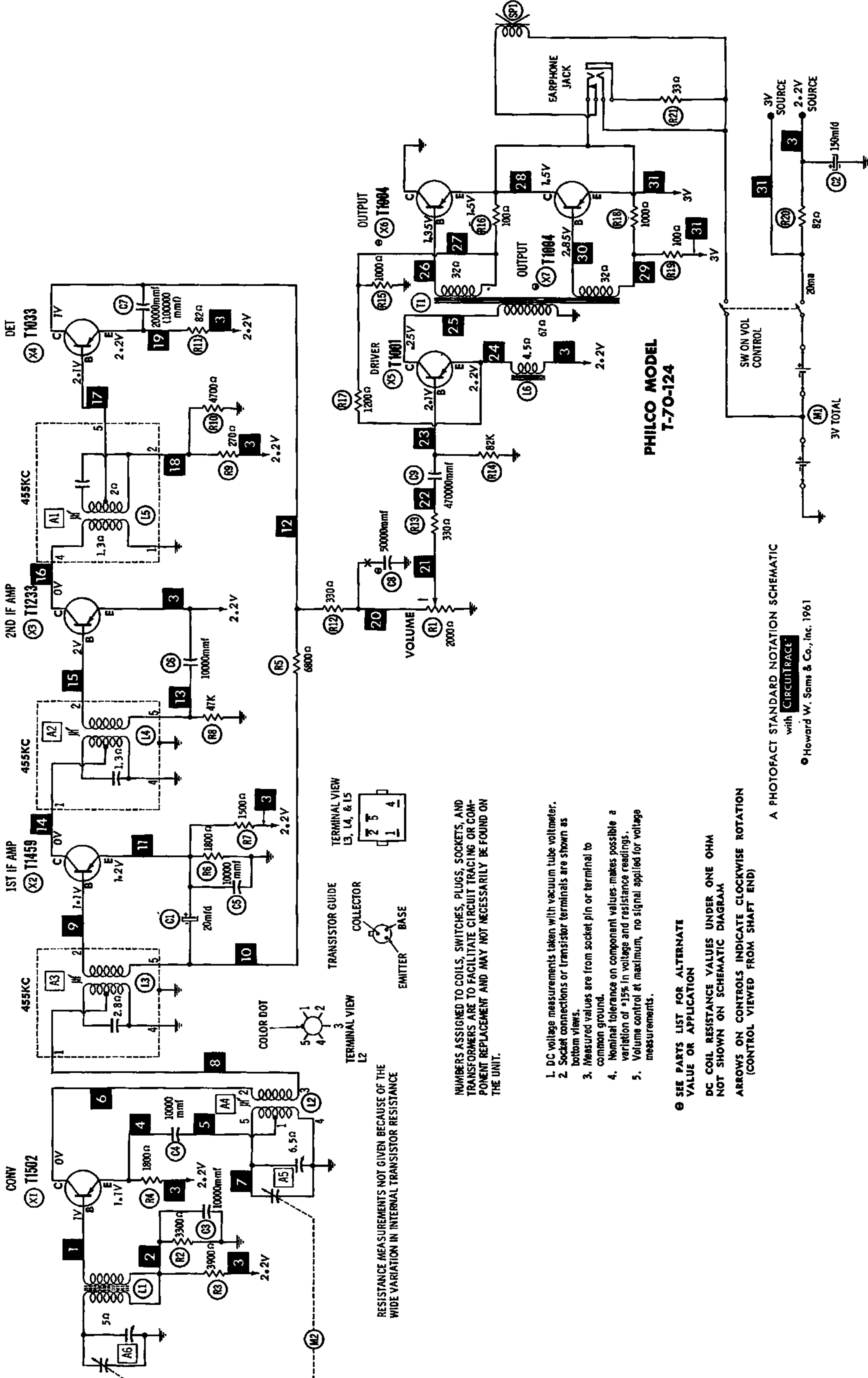
	SIGNAL GENERATOR COUPLING	SIGNAL GENERATOR FREQUENCY	RADIO DIAL SETTING	OUTPUT METER	ADJUST	REMARKS
1.	High side thru .1mfd to antenna stator lug of tuning gang. Low side to chassis.	455KC (400% Mod.)	Tuning gang fully open.	Across voice coil.	A1, A2, A3	Adjust for maximum output.
2.	Loop	600KC	600KC	"	A4	Fashion loop of several turns of wire and radiate signal into loop of receiver. Adjust for maximum output.
3.	"	1620KC	Tuning gang fully open.	"	A5	"
4.	"	1400KC	1400KC Signal.	"	A6	Adjust for maximum output. Repeat Steps 2, 3 and 4.

HOWARD W. SAMS & CO., INC. Indianapolis 6, Indiana

The listing of any available replacement part herein does not constitute in any case a recommendation, warranty or guaranty by Howard W. Sams & Co., Inc., as to the quality and suitability of such replacement part. The numbers of these parts have been compiled from information furnished to Howard W. Sams & Co., Inc., by the manufacturers of KF248

the particular type of replacement part listed. Reproduction or use, without express permission, of editorial or pictorial content, in any manner, is prohibited. No patent liability is assumed with respect to the use of the information contained herein. © 1961 Howard W. Sams & Co., Inc., Indianapolis 6, Indiana. Printed in U.S. of America





PARTS LIST AND DESCRIPTIONS

TRANSISTORS

ITEM No.	ORIG. TYPE	USE	REPLACEMENT DATA			NOTES
			RCA PART No.	RAYTHEON PART No.	SYLVANIA PART No.	
X1	T1502	Converter				PNP PNP PNP PNP PNP PNP } Matched Pair
X2	T1459	1st IF Amplifier				
X3	T1283	2nd IF Amplifier				
X4	T1083	Detector				
X5	T1001	Driver	2N406		2N406	
X6	T1004 ①	Output	2N270			
X7	T1004 ①	Output	2N270			

① Alternate Type T-1008.

ELECTROLYTIC CAPACITORS

ITEM No.	RATING		REPLACEMENT DATA					NOTES
	CAP.	VOLT.	PHILCO PART No.	AEROVOX PART No.	CORNELL-DUBILIER PART No.	MALLORY PART No.	PYRAMID PART No.	
C1	20	3	30-2599-10	BCD3020	ECPB10	PET1570		VL-1040
C2	150	3	30-2599-19	BCD3150	ECPB19			VL-1055

FIXED CAPACITORS

Capacity values given in the rating column are in mfd. for Paper Capacitors, and in mmfd. for Mica and Ceramic Capacitors.

ITEM No.	RATING	REMARKS	REPLACEMENT DATA					
			AEROVOX PART No.	CENTRALAB PART No.	CORNELL-DUBILIER PART No.	ELMENCO PART No.	MALLORY PART No.	SPRAGUE PART No.
C3	10000		BPD-01	DM-103	H-0581	CCD-103	TA-110	TG-S10
C4	10000		BPD-01	DM-103	H-0581	CCD-103	TA-110	TG-S10
C5	10000		BPD-01	DM-103	H-0581	CCD-103	TA-110	TG-S10
C6	10000		BPD-01	DM-103	H-0581	CCD-103	TA-110	TG-S10
C7	20000	(100000) †	C80V-203AM	DA-203	H-0582	CCD-203	TA-120	TG-S20
C8	50000	Note 1	C80V-503AM	UK10-503	H-0585		TA-150	TG-S50
C9	470000	#30-1279-4		UK10-474				

Note 1. Not used in some versions.

† Alternate Value.

Philco Part Number.

CONTROLS

ITEM No.	RATING		REPLACEMENT DATA				INSTALLATION NOTES	
	RESISTANCE	WATTS	PHILCO PART No.	CENTRALAB PART No.	CLAROSTAT PART No.	CTS-IRC PART No.		MALLORY PART No.
R1	2000Ω	1/4	33-5583-18					Volume & Switch

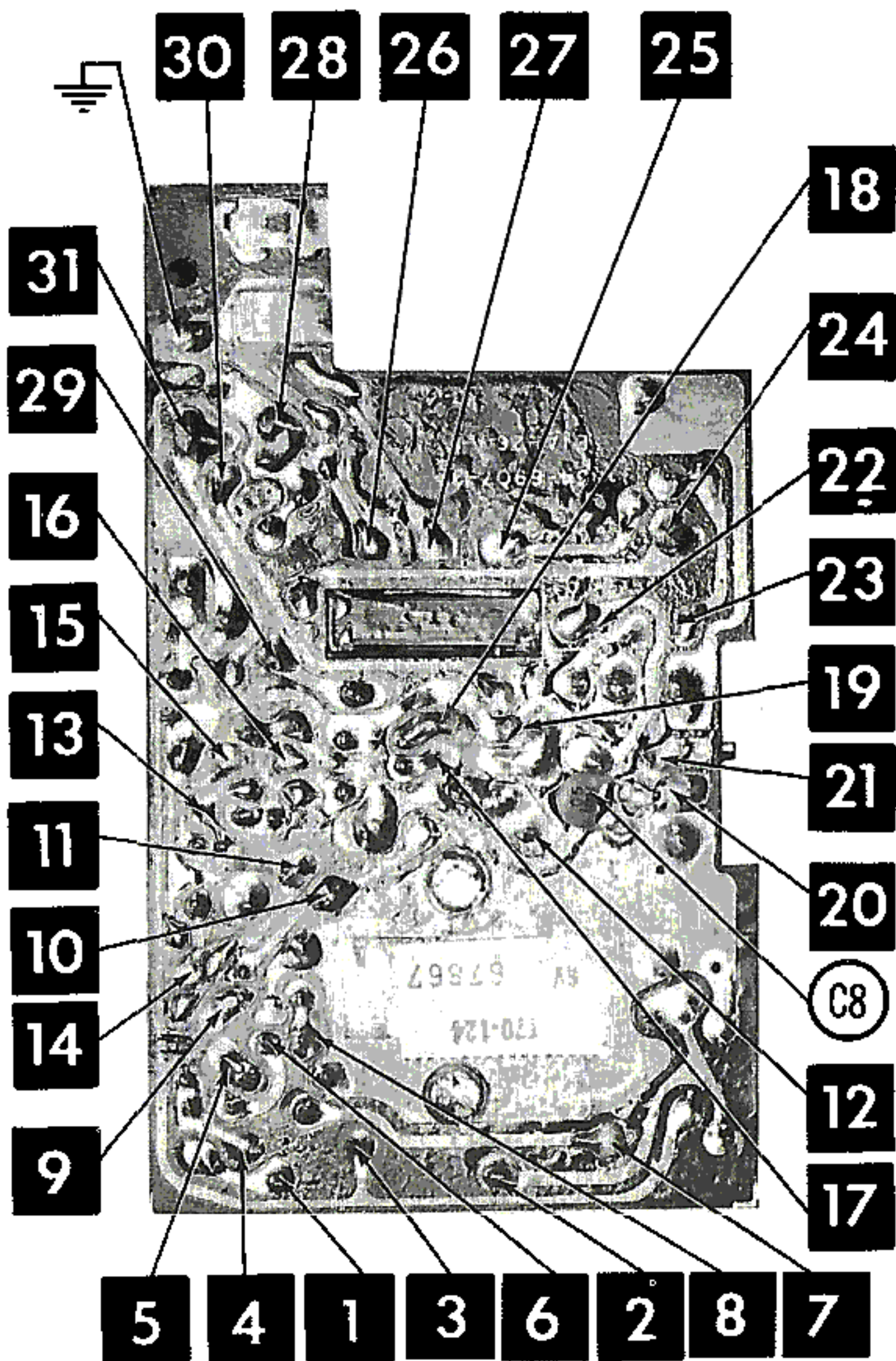
RESISTORS

All wattages 1/2 watt, or less, unless otherwise listed.

ITEM No.	RATING	REPLACEMENT DATA			ITEM No.	RATING	REPLACEMENT DATA		
		IRC PART No.	WORKMAN TV PART No.	REMARKS			IRC PART No.	WORKMAN TV PART No.	REMARKS
R2	3300Ω				R12	330Ω			
R3	3900Ω				R13	330Ω			
R4	1800Ω				R14	82K			
R5	6800Ω				R15	1000Ω			
R6	1800Ω				R16	100Ω			
R7	1500Ω				R17	1200Ω			
R8	47K				R18	1000Ω			
R9	270Ω				R19	100Ω			
R10	4700Ω				R20	82Ω			
R11	82Ω				R21	33Ω			

PRINTED BOARD

A Howard W. Sams **CIRCUITRACE** Photo



PARTS LIST AND DESCRIPTIONS (Continued)

COILS (RF-IF)

ITEM No.	USE	REPLACEMENT DATA				NOTES
		PHILCO PART No.	Merit PART No.	Miller PART No.	Stancor PART No.	
L1	Loopstick	76-10946-1				
L2	Osc. Coil	32-4669-2				
L3	1st IF Trans.	32-4775-6				
L4	2nd IF Trans.	32-4775-7				
L5	3rd IF Trans.	32-4775-8				
L6	RF Choke(400uh)	32-4685-1	TV-202	6136	RTC-8579	

TRANSFORMER (DRIVER)

ITEM No.	TURNS RATIO		REPLACEMENT DATA					NOTES
			PHILCO PART No.	Merit PART No.	Stancor PART No.	Thordarson PART No.	Triad PART No.	
	PRI.	SEC.						
T1	1.5	1	32-8885-1					
		SEC. 2						
		1						

SPEAKER

ITEM No.	TYPE			REPLACEMENT DATA		NOTES
				PHILCO PART No.	QUAM PART No.	
	SIZE	FIELD	V. C. IMP.			
SP1	2 3/4"	PM	6-8Ω	36-1664-9	27A08Z8	

BATTERIES

ITEM No.	VOLTAGE	PHILCO PART No.	REPLACEMENT DATA						NOTES
			BURGESS		EVEREADY		MALLORY		
			"A"	"B"	"A"	"B"	"A"	"B"	
M1	1.5V	P-15 *		930 *		1015 *		M-15R *	* 2 Required

MISCELLANEOUS

ITEM No.	PART NAME	PHILCO PART No.	NOTES
M2	Tuning Cap. Printed Board	31-2782-1 54-6907-2	2 Gang (Ant. 12-137mmf, 19-90mmf)

CABINETS & CABINET PARTS

(When Ordering Cabinets & Cabinet Parts, Specify Model, Chassis & Color)

NAME	PART NO.	DESCRIPTION
Knob	54-6911-4	Tuning
Knob	54-6912	Volume
Cabinet	424-8103	Assembly, Ivory
Cabinet	424-8104	Assembly, Ebony
Cabinet	424-8112	Assembly, Terra cotta
Handle	28-12724-3	Cabinet

WIRING DATA

General-use Unshielded Hook-up Wire Use BELDEN No. 8630 (Solid) Available in Ten Colors
8524 (Stranded) Available in Ten Colors

CHASSIS—TOP VIEW

