

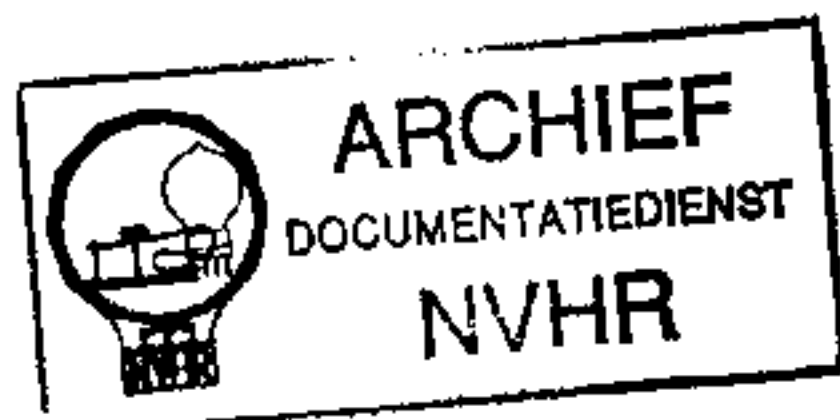
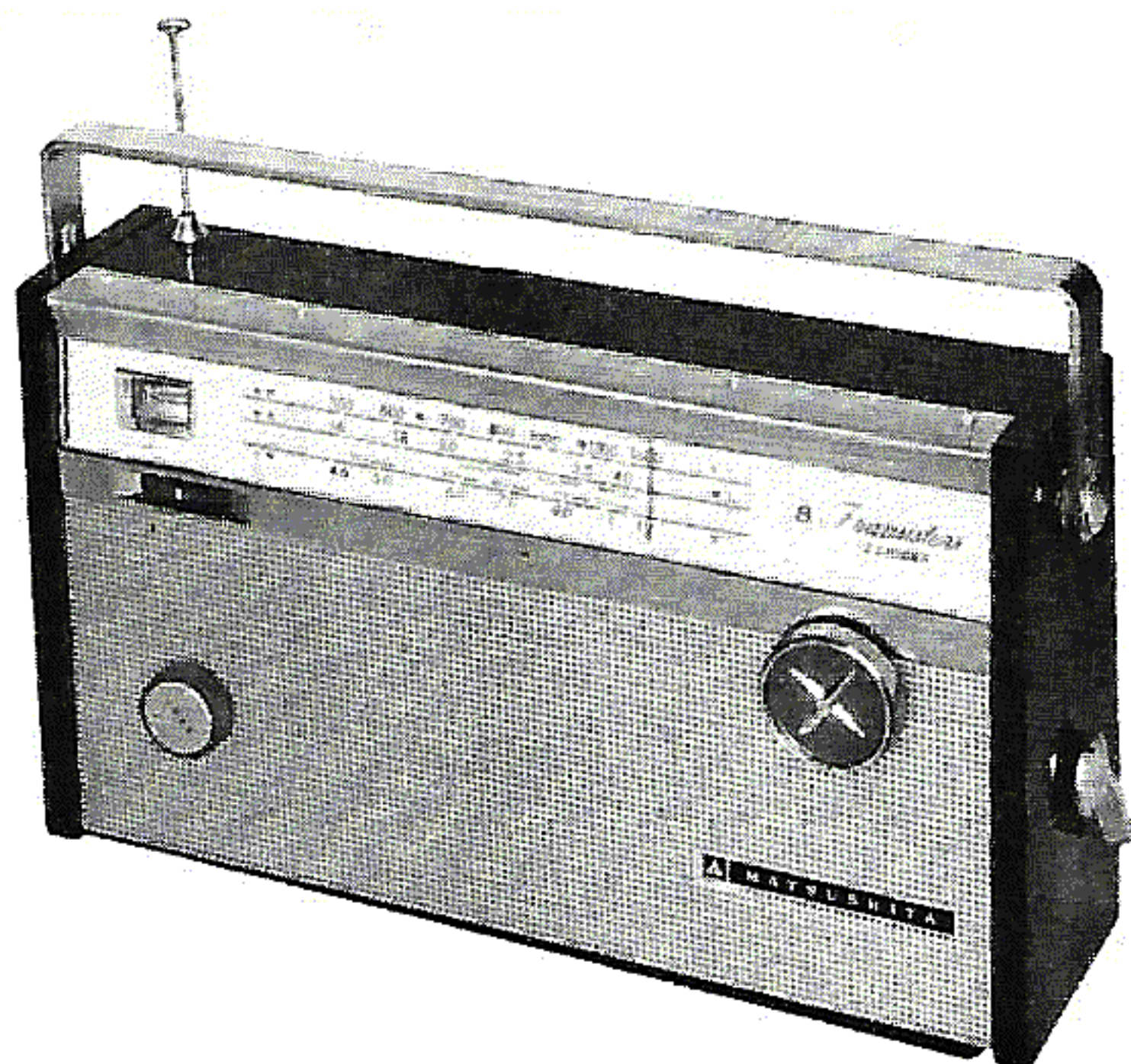
PHOTOFACT® Folder

with CIRCUITRACE®

MATSUSHITA or PANASONIC
MODEL T-66

Met dank aan Jef Bos

Ned. Ver. v. Historie v/d Radio



TRADE NAME	Matsushita or Panasonic Model T-66		
DISTRIBUTOR	Matsushita Electric Corp. of America, 41 E. 42nd Street, New York 17, N. Y.		
TYPE SET	Battery Operated Transistorized Portable 3-Band Receiver		
POWER SUPPLY	6 Volts DC	RATING	9MA@6 Volts DC (No Signal, Min. Volume) 14MA@6 Volts DC (Signal, Normal Volume)
TUNING RANGE--BROADCAST	540-1600KC	SHORT WAVE 1 (MB)	1.6-4MC SHORT WAVE 2 (SW) 4.6-12MC

ALIGNMENT INSTRUCTIONS

ALIGNMENT INSTRUCTIONS—READ CAREFULLY BEFORE ATTEMPTING ALIGNMENT

Use only enough generator output to provide a usable indication.

Suggested Alignment Tools:

A1, A2, A3, A4, A6, A10, A11, A14 . . . GENERAL CEMENT #5097, 8727
WALSCO #2515

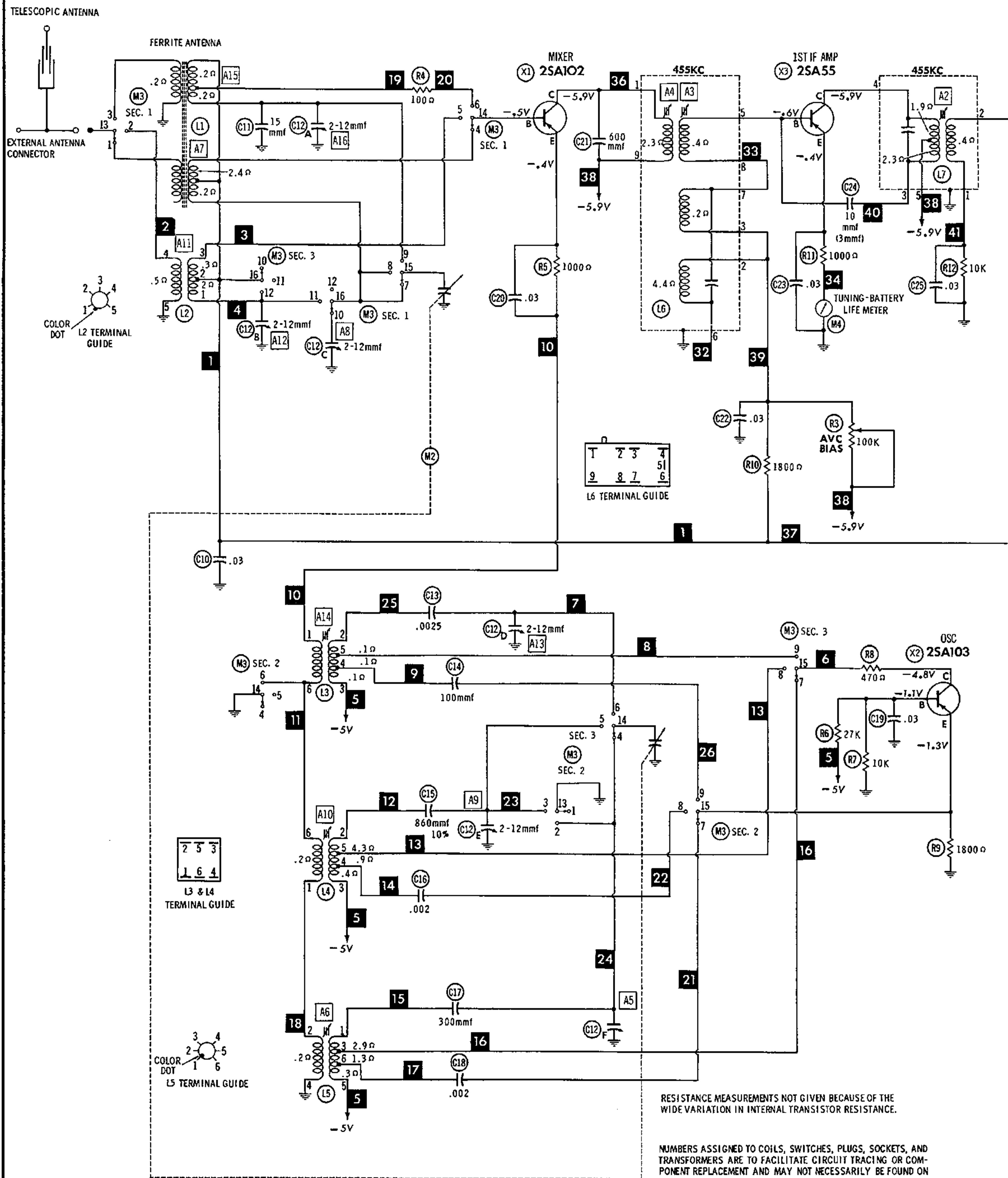
A5, A8, A9, A12, A13, A16 . . . GENERAL CEMENT #5000, 5003, 5066, 8276, 8290, 9087, 9089
WALSCO #2512, 2525, 2528

	SIGNAL GENERATOR COUPLING	SIGNAL GENERATOR FREQUENCY	RADIO DIAL SETTING	INDICATOR	ADJUST	REMARKS
1.	Fashion loop of several turns of wire and radiate signal into loop of receiver	455KC (Unmod.)	(AM) Tuning gang fully open.	Connect VTVM DC probe to Δ , common to B-.	A1, A2, A3, A4	Adjust for maximum deflection.
2.	"	1605KC	"	"	A5	"
3.	"	600KC	600KC Signal.	"	A6	Adjust for maximum deflection while rocking tuning gang. Repeat Steps 2 & 3.
4.	"	600KC	600KC Signal	"	A7	Adjust for maximum output by moving antenna coil turns along ferrite core.
5.	"	1500KC	1500KC Signal.	"	A8	Adjust for maximum deflection.
6.	"	4MC	(MB) Tuning gang fully open.	"	A9	"
7.	"	1.8MC	1.8MC Signal.	"	A10, A11	"
8.	"	3.8MC	3.8MC Signal.	"	A12	"
9.	"	12MC	(SW) Tuning gang fully open.	"	A13	"
10.	"	5MC	5MC Signal.	"	A14, A15	"
11.	"	11MC	11MC Signal.	"	A16	"

HOWARD W. SAMS & CO., INC. Indianapolis 6, Indiana

The listing of any available replacement part herein does not constitute in any case a recommendation, warranty or guaranty by Howard W. Sams & Co., Inc., as to the quality and suitability of such replacement part. The numbers of these parts have been compiled from information furnished to Howard W. Sams & Co., Inc., by the manufacturers of LF483

the particular type of replacement part listed. Reproduction or use, without express permission, of editorial or pictorial content, in any manner, is prohibited. No patent liability is assumed with respect to the use of the information contained herein. ©1962 Howard W. Sams & Co., Inc., Indianapolis 6, Indiana. Printed in U.S. of America

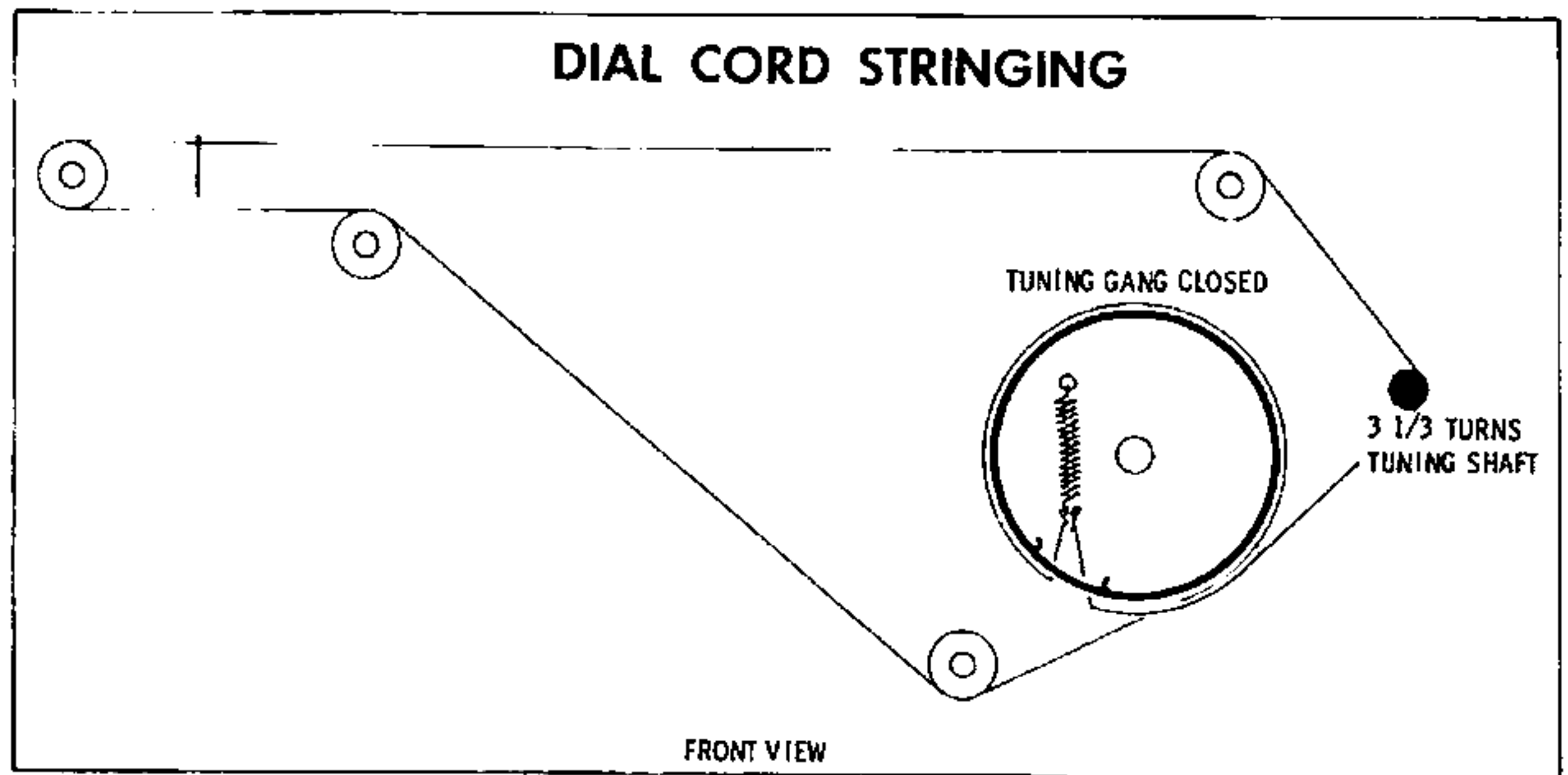
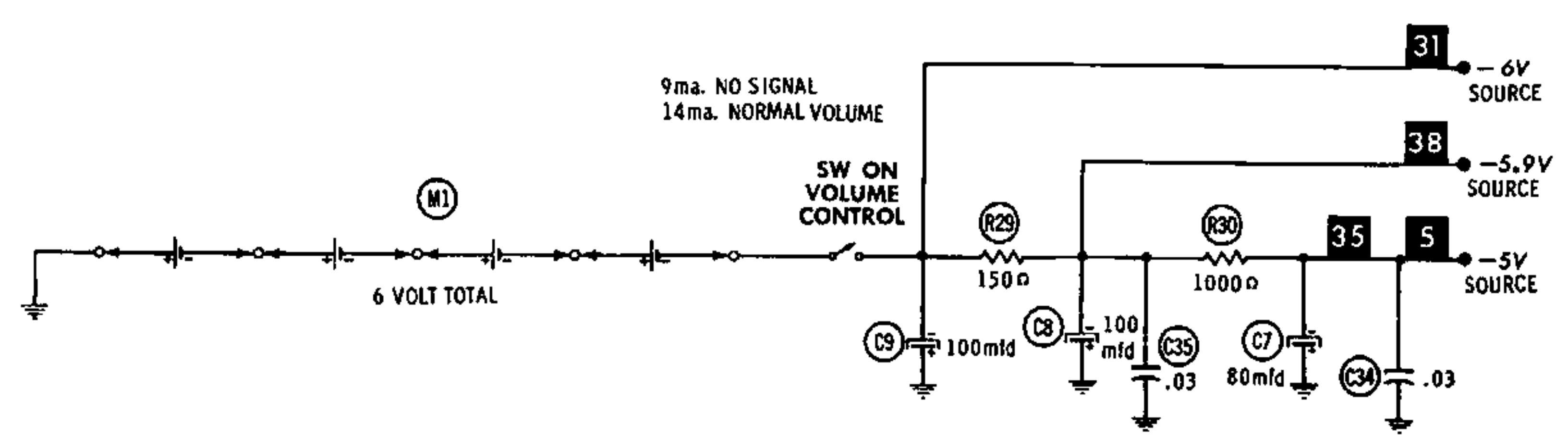
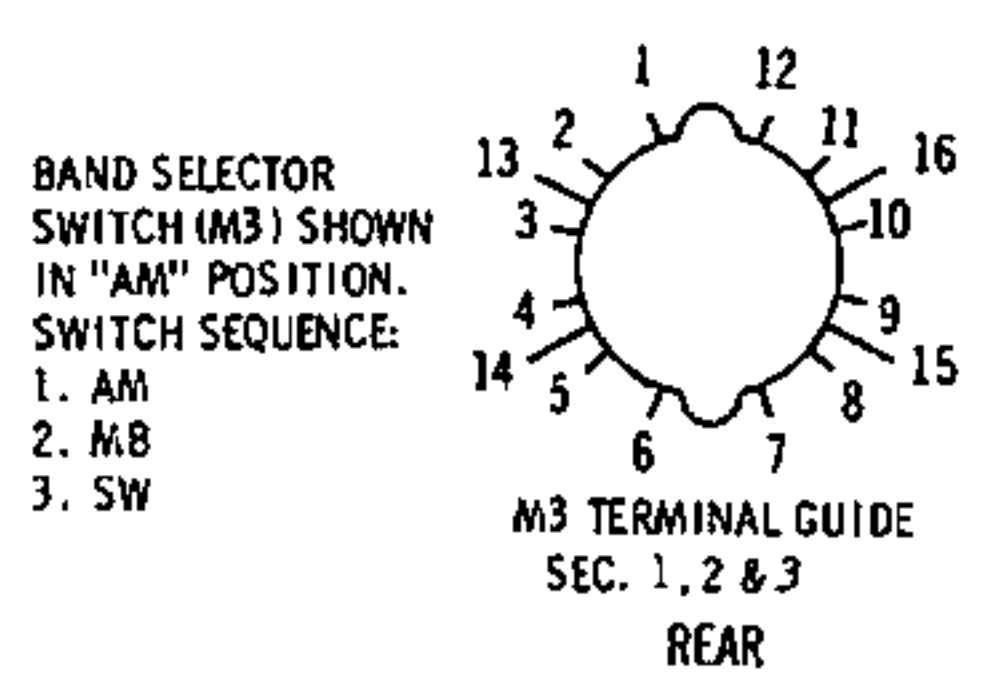
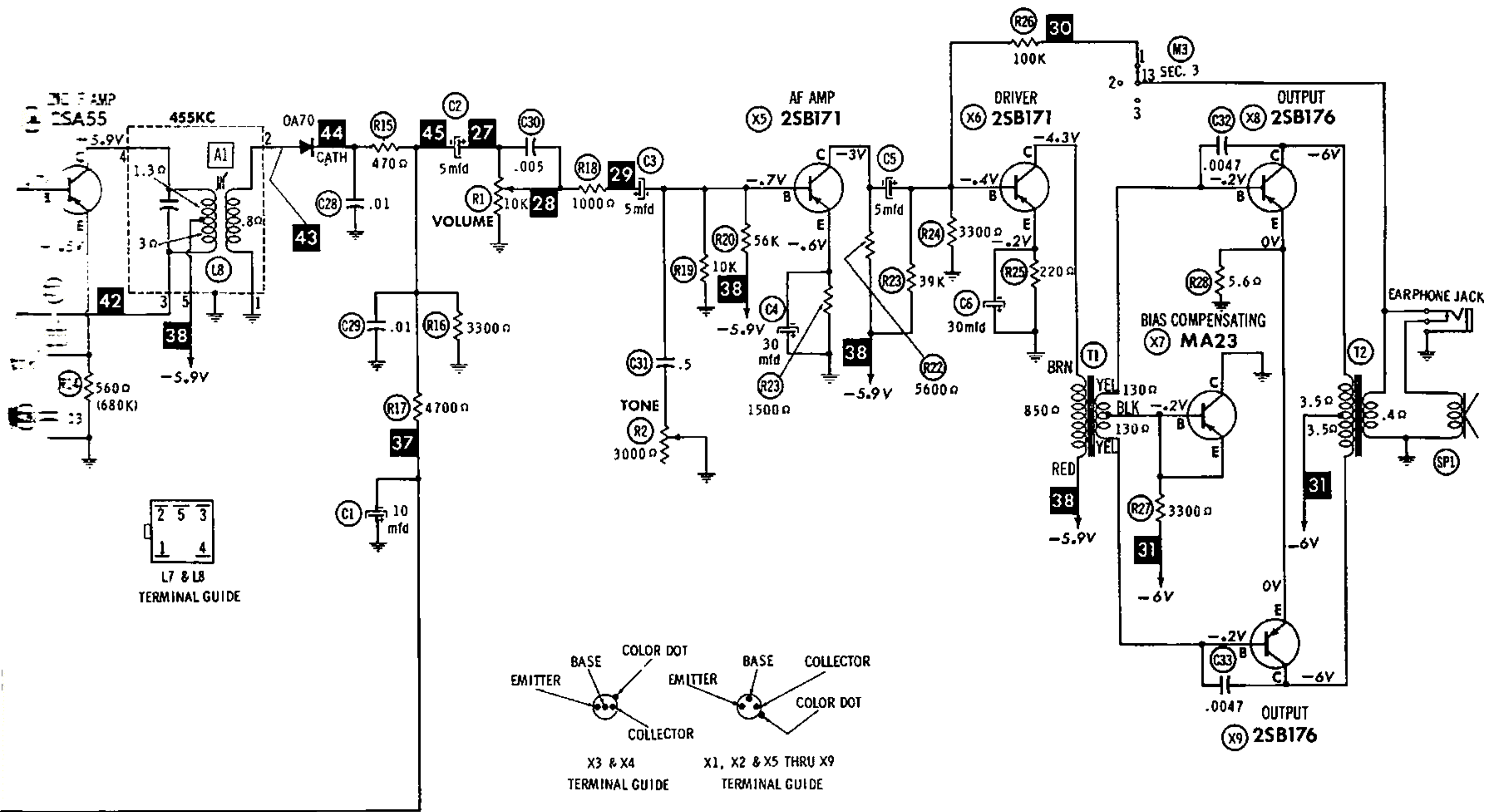


A PHOTOFACIT STANDARD NOTATION SCHEMATIC
with **CIRCUITRACE**

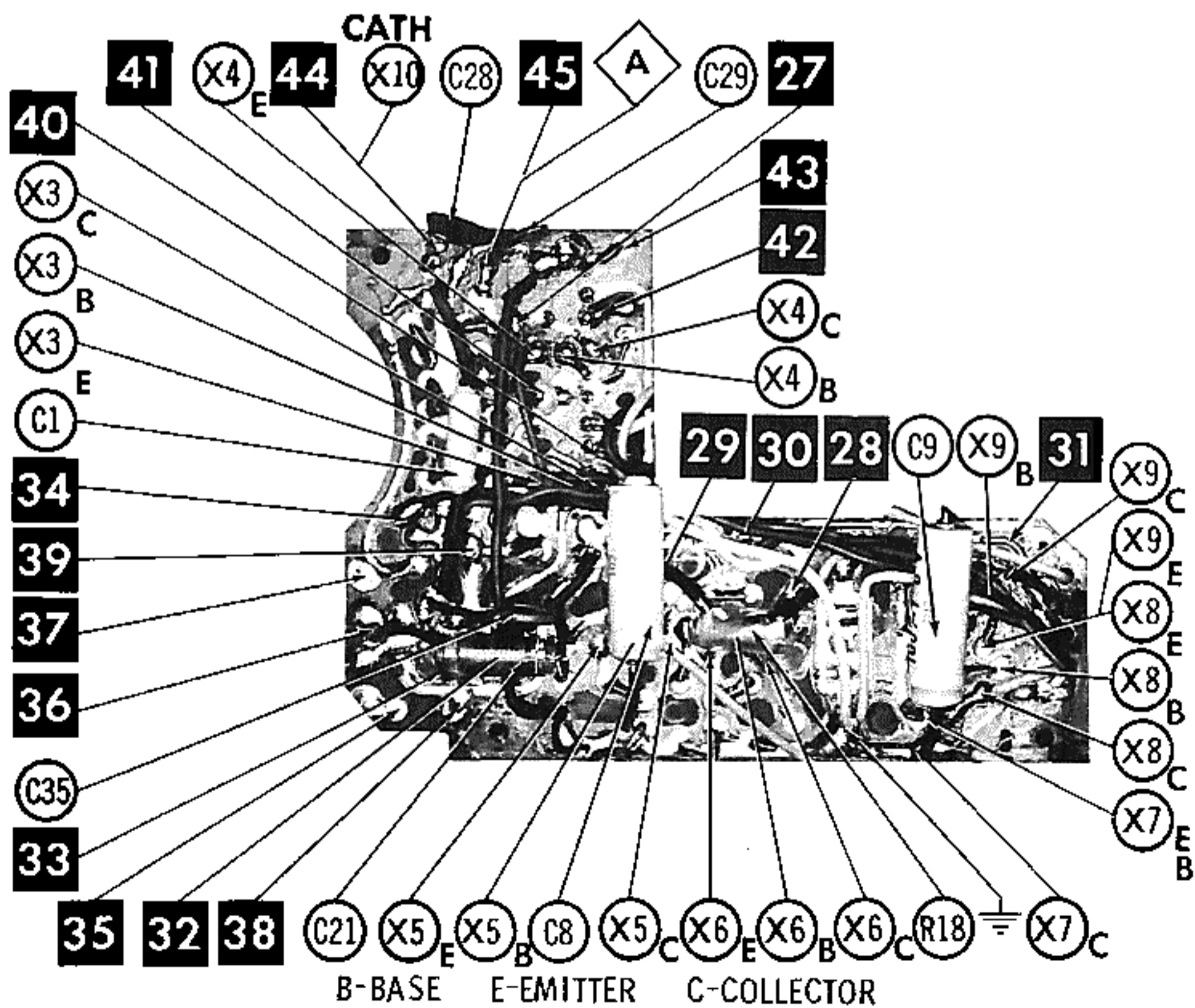
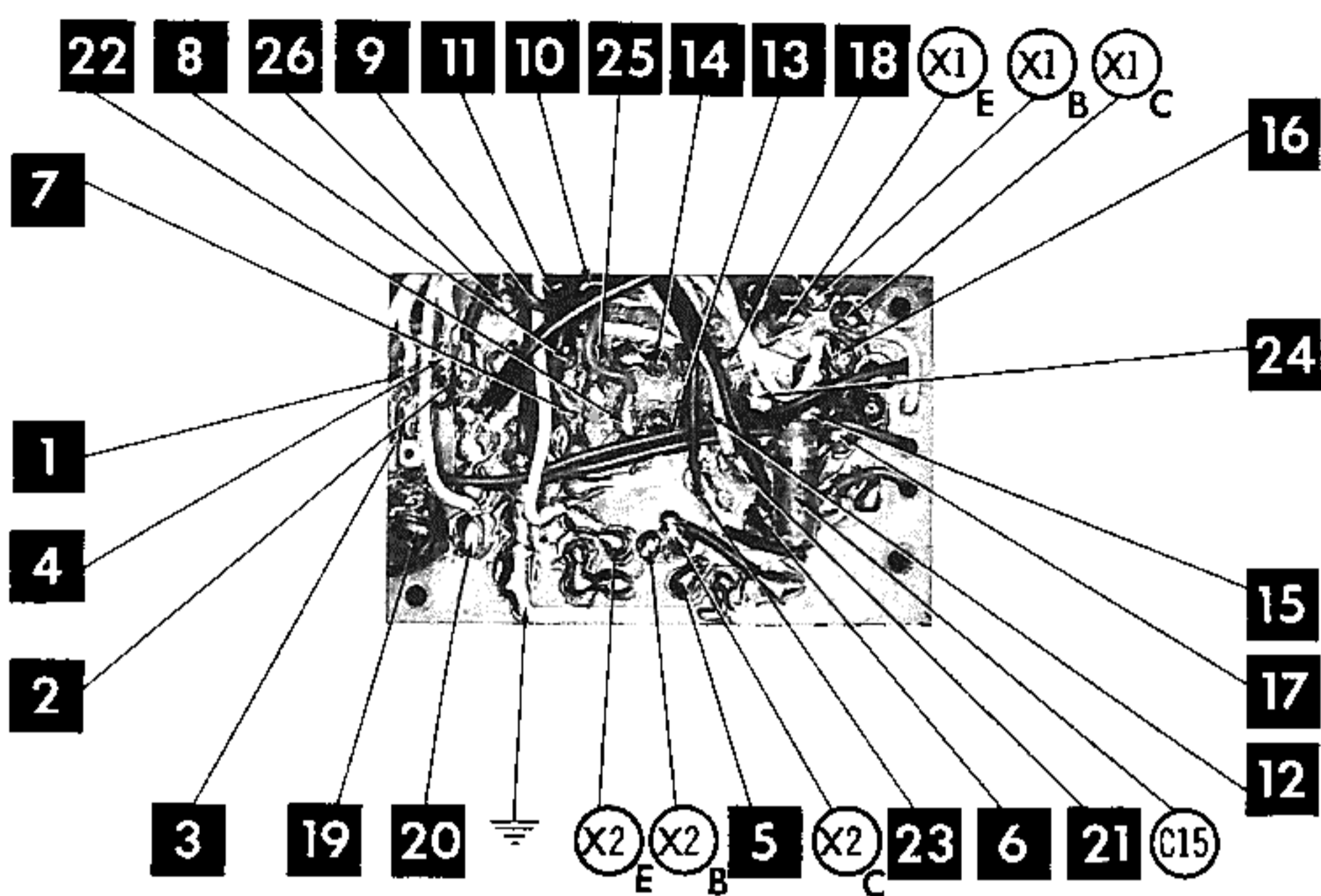
© Howard W. Sams & Co., Inc. 1962

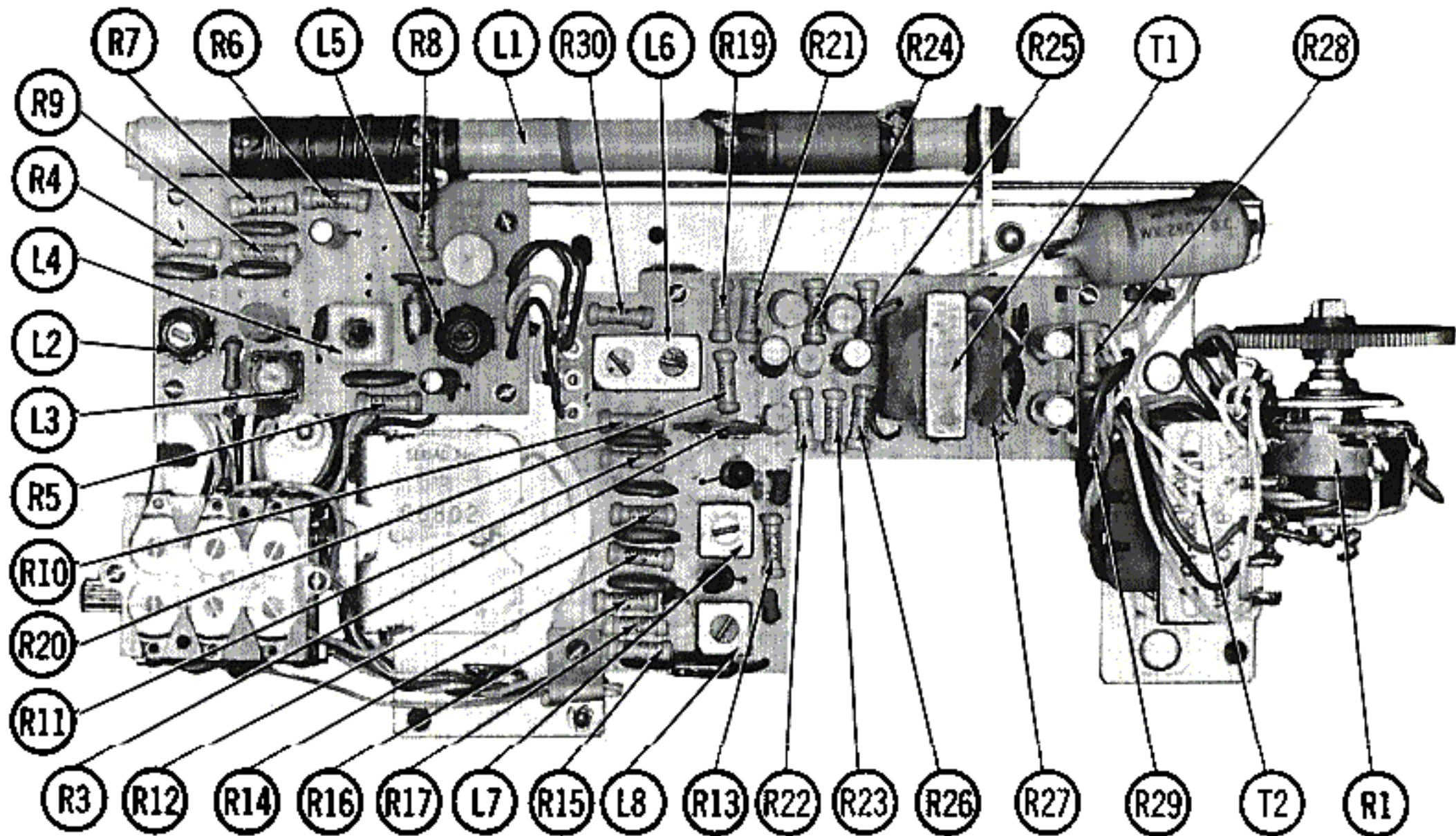
SEE PARTS LIST FOR ALTERNATE VALUE OR APPLICATION

1. DC voltage measurements taken with vacuum tube voltmeter.
2. Socket connections or transistor terminals are shown as bottom views.
3. Measured values are from socket pin or terminal to common ground.
4. Nominal tolerance on component values makes possible a variation of ±15% in voltage and resistance readings.
5. Volume control at maximum, no signal applied for voltage measurements.

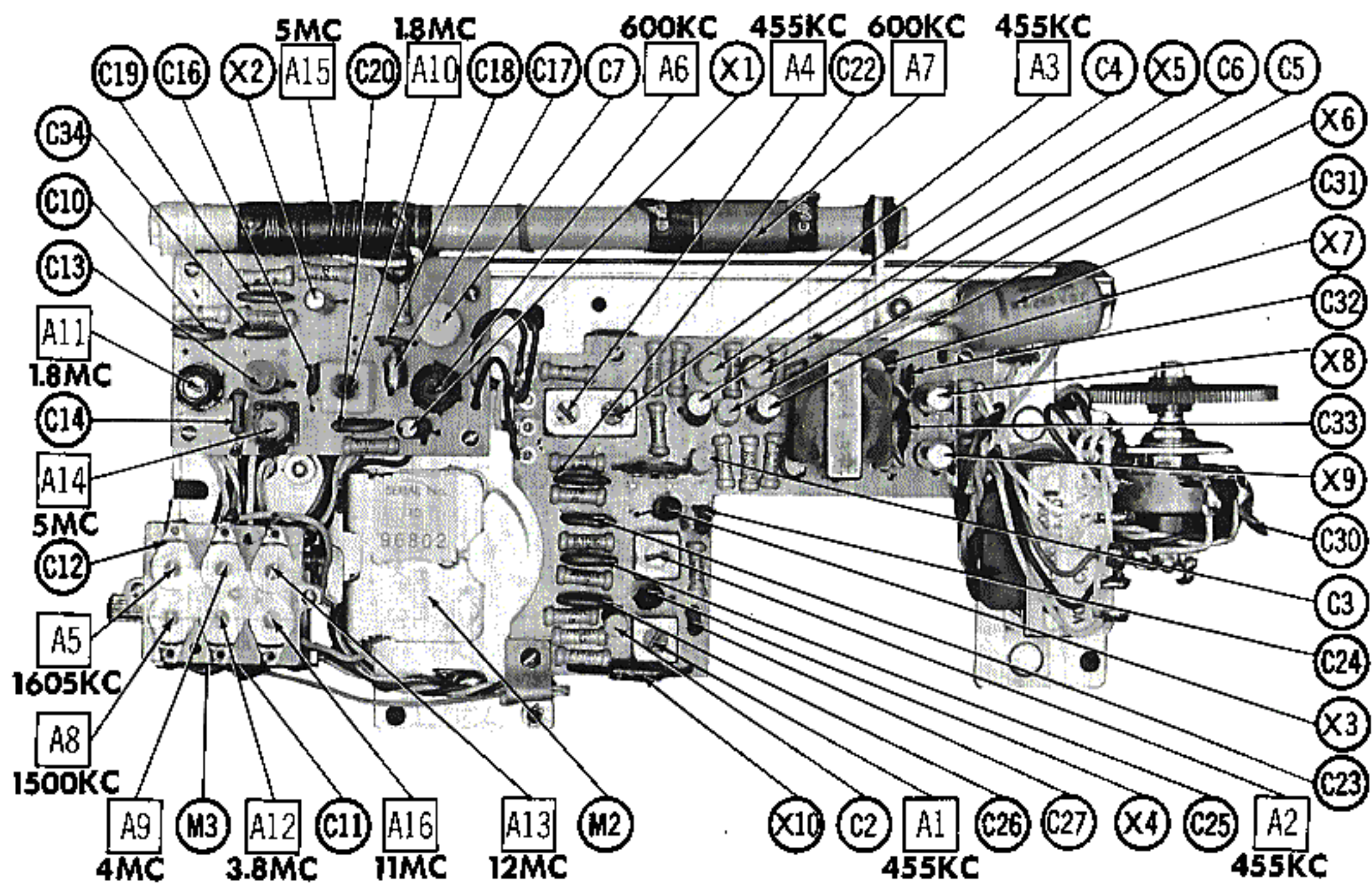


MATSUSHITA or PANASONIC MODEL T-66





CHASSIS TOP VIEW - RESISTOR & INDUCTOR IDENT.



CHASSIS TOP VIEW - ALIGNMENT, CAPACITOR & MISC. IDENT.

PARTS LIST AND DESCRIPTIONS

TRANSISTORS

ITEM No.	ORIG. TYPE	USE	REPLACEMENT DATA		NOTES
			RCA PART No.	RAYTHEON PART No.	
X1	2SA102	Mixer	2N1527		PNP
X2	2SA103	Oscillator	2N1527		PNP
X3	2SA55*	1st IF Amp.			PNP
X4	2SA55*	2nd IF Amp.			PNP
X5	2SB171	AF Amp.	2N406		PNP
X6	2SB171 †	Driver	2N406		PNP
X7	MA23	Bias Compensating	1N2326		Diode Connected
X8	2SB176 ▲	Output	2N408		PNP
X9	2SB176 ▲	Output	2N408		PNP

* Alternate Type 2SA145. Later production uses 2SA102BA.

† Alternate Type 2SB175.

▲ Alternate Type 2SB96.

POWER RECTIFIERS & SIGNAL DIODES

ITEM No.	CURRENT RATING (Measured)	ORIGINAL Part or Type No.	RECTIFIERS		DIODES	NOTES
			RCA PART No.	SARKES TARZIAN PART No.	RAYTHEON PART No.	
X10		0A70			1N60	Detector

ELECTROLYTIC CAPACITORS

ITEM No.	RATING		REPLACEMENT DATA						
	CAP.	VOLT.	MATSUSHITA PART No.	AEROVOX PART No.	CORNELL-DUBILIER PART No.	GENERAL ELECTRIC PART No.	MALLORY PART No.	PYRAMID PART No.	SPRAGUE PART No.
C1	10	3	NCT-3V10	PTT6	NLW10-6	MT1-5	TT3X10	MLV10-3	TE-1053
C2	5	6	NPA-6V5	BCD8005	ECPB405	MT1-3	TT6X5	MLV5-6	VL-1084
C3	5	6	NPA-6V5	BCD8005	ECPB405	MT1-3	TT6X5	MLV5-6	VL-1084
C4	30	3	NPA-3V30	BCD-3035	ECPB412	MT1-13	PET130	MLV30-6	VL-1043
C5	5	6	NPA-6V5	BCD8005	ECPB405	MT1-3	TT6X5	MLV5-6	VL-1084
C6	30	3	NPA-3V30	BCD3035	ECPB412	MT1-13	PET130	MLV30-6	VL-1043
C7	80	6	NPA-6V80	BCD6100	ECPB417	MT1-18	TT6X80	MLV100-6	VL-1100
C8	100	6	NCT-6V100	PTT30	NLW100-12	MT1-18	TT6X100	MLV100-6	TE-1102
C9	100	6	NCT-6V100	PTT30	NLW100-12	MT1-18	TT6X100	MLV100-6	TE-1102

FIXED CAPACITORS

ITEM No.	RATING	REMARKS	REPLACEMENT DATA						
			AEROVOX PART No.	CENTRALAB PART No.	CORNELL-DUBILIER PART No.	ELMenco PART No.	MALLORY PART No.	SPRAGUE PART No.	
C10	.03	#6RB-1A	BPD-03	DD-303	BYB6S3	CCD-303	GP130	5HK-S30	
C11	15		CI-15	D6-150	L10Q15	CCD-150	GP415	10TS-Q15	
C12A	2-12								
B	2-12								
C	2-12								
D	2-12								
E	2-12								
F	2-12								
C13	.0025 100V		SI-2500	D6-252	BYA10D25	CCD-252	B-227	5HK-D25	
C14	100		CI-100	D6-101	L10T1	CCD-101	GP310	10TS-T10	
C15	860 100V 10%								
C16	.002		BPD-002	DD-202	BYA10D2	CCD-202	B-220	5HK-D20	
C17	300		SI-300	D6-301	L10T3	CCD-301	GP330	10TS-T30	
C18	.002		BPD-002	DD-202	BYA10D2	CCD-202	B-220	5HK-D20	
C19	.03		BPD-03	DD-303	BYB6S3	CCD-303	GP130	5HK-S30	
C20	.03		BPD-03	DD-303	BYB6S3	CCD-303	GP130	5HK-S30	
C21	600			D6-601	L10T62		GP360	10TS-T60	
C22	.03		BPD-03	DD-303	BYB6S3	CCD-303	GP130	5HK-S30	
C23	.03		BPD-03	DD-303	BYB6S3	CCD-303	GP130	5HK-S30	
C24	10	(3) †	CI-10	D6-100	L10Q1	CCD-100	GP410	10TS-Q10	
C25	.03		BPD-03	DD-303	BYB6S3	CCD-303	GP130	5HK-S30	
C26	.03		BPD-03	DD-303	BYB6S3	CCD-303	GP130	5HK-S30	
C27	5	(3) †	CI-5	D6-050	L10V5	CCD-050	GP550	10TS-V50	
C28	.01		BPD-01	DD-103	BYA10S1	CCD-103	B-110	5HK-S10	
C29	.01		BPD-01	DD-103	BYA10S1	CCD-103	B-110	5HK-S10	
C30	.005		BPD-005	DD-502	BYA10D5	CCD-502	B-250	5HK-D50	
C31	.5 250V		P488N-5		CUB4P5	4DP-6-504	GEM-405	4TM-P50	
C32	.0047		BPD-0047	DD-472	BYA10D47	CCD-472	B-247	5HK-D47	
C33	.0047		BPD-0047	DD-472	BYA10D47	CCD-472	B-247	5HK-D47	
C34	.03		BPD-03	DD-303	BYB6S3	CCD-303	GP130	5HK-S30	
C35	.03		BPD-03	DD-303	BYB6S3	CCD-303	GP130	5HK-S30	

Matsushita Part Number.

† Used in later production.

CONTROLS

All wattages 1/2 watt, or less, unless otherwise listed.

ITEM No.	USE	RESISTANCE	REPLACEMENT DATA				
			MATSUSHITA PART No.	CENTRALAB PART No.	CLAROSTAT PART No.	CTS-IRC PART No.	MALLORY PART No.
R1	Volume, On-Off-SW	10K	SNVb-24CL20	B-15, KR-1, or (AB-15, KR-1, AK-11) ①	A47-10K-Z, SWE-12, KSS-3 ①	Q13-116, 76-1 ①	U18, US-26, or (UA14B, US-41, SK-1000) ①
R2	Tone	3000Ω	NV-24CL20	B-702			
R3	AVC Bias	100K	NV-16FB				

① Enlarge mounting hole to 3/8".

PARTS LIST AND DESCRIPTIONS (Continued)

RESISTORS

All wattages 1/2 watt, or less, unless otherwise listed.

ITEM No.	RATING	REPLACEMENT DATA			ITEM No.	RATING	REPLACEMENT DATA		
		IRC PART No.	WORKMAN PART No.	REMARKS			IRC PART No.	WORKMAN PART No.	REMARKS
R4	100Ω				R18	1000Ω			
R5	1000Ω				R19	10K			
R6	27K				R20	56K			
R7	10K				R21	1500Ω			
R8	470Ω				R22	5600Ω			
R9	1800Ω				R23	39K			
R10	1800Ω				R24	3300Ω			
R11	1000Ω				R25	220Ω			
R12	10K				R26	100K			
R13	22K				R27	3300Ω			
R14	560Ω			(680K)*	R28	5.6Ω			
R15	470Ω				R29	150Ω			
R16	3300Ω				R30	1000Ω			
R17	4700Ω								

* Used in later production

COILS (RF-IF)

ITEM No.	USE	REPLACEMENT DATA					NOTES
		MATSUSHITA PART No.	Merit PART No.	Miller PART No.	Stancor PART No.	Workman PART No.	
L1	AM SW Ant.	AGM1016-C					① Later Production uses Part #TRI-10D-5A
L2	MB Ant. Coil	EA06-B					
L3	SW Osc.	GOP3-R					
L4	MB Osc.	EOP1-U					
L5	AM Osc.	A006-S					
L6	1st IF	TRI-10D-2A ①	BC-575				
L7	2nd IF	TRI-10-11B					
L8	3rd IF	TRI-10-11D					

TRANSFORMER (DRIVER)

ITEM No.	TURNS. RATIO		REPLACEMENT DATA					NOTES
			MATSUSHITA PART No.	MERIT PART No.	STANCOR PART No.	THORDARSON PART No.	TRIAD PART No.	
	PRI.	SEC.						
T1	1	1	TIP-9A					

TRANSFORMER (AUDIO OUTPUT)

ITEM No.	IMPEDANCE		REPLACEMENT DATA					NOTES
			MATSUSHITA PART No.	Merit PART No.	Stancor PART No.	Thordarson PART No.	Triad PART No.	
	PRI.	SEC.						
T2	200Ω	3-4Ω	OT-486					

SPEAKER

ITEM No.	TYPE			REPLACEMENT DATA		NOTES
				MATSUSHITA PART No.	QUAM PART No.	
	SIZE	FIELD	V. C. IMP.			
SP1	4"	PM	3-4Ω	P-409S	4A07	

BATTERIES

ITEM No.	VOLTAGE	MATSUSHITA PART No.	REPLACEMENT DATA						NOTES
			BURGESS		EVEREADY		MALLORY		
			"A"	"B"	"A"	"B"	"A"	"B"	
M1	1½V			230		A100		M-13R	4 Required

MISCELLANEOUS

ITEM No.	PART NAME	MATSUSHITA PART No.	NOTES
M2	Tuning Cap.	2KC-31B22	2 Gang (Ant. 10-310mmf, Osc. 12-258mmf) Band Selector (Rotary Wafer Type) Tuning-Battery Life
M3	Switch	SRD31203PY-AG13	
M4	Meter		
	Rod Antenna	105-12	

WIRING DATA

General-use Unshielded Hook-up Wire	Use BELDEN No. 8530 (Solid 22AWG)	Available in 12 Colors
	8524 (Stranded 22AWG)	
	8570 (Stranded 26AWG)	