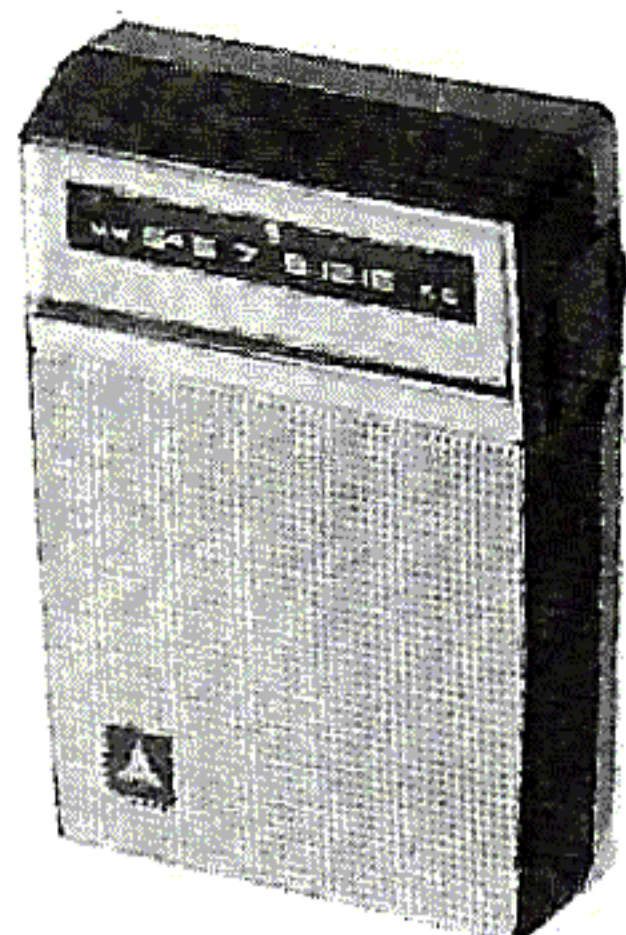




PHOTOFACT[®] with

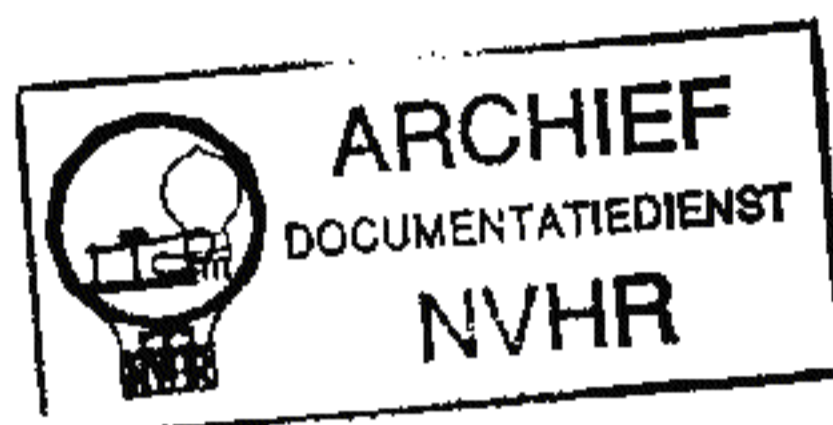
CIRCUITRACE[®]



TRADE NAME: Panasonic Model T-53
 SUPPLIER: Matsushita Electric Corp. of America,
 41 E. 42nd Street, New York 17, N. Y.
 TYPE SET: 6 Transistor AM Receiver
 POWER SUPPLY: 9 Volts DC
 RATING: 6MA@9 VDC (No Signal, Min. Volume)
 15MA@9 VDC (Signal, Normal Volume)

TUNING RANGE: BROADCAST 540 - 1620KC

Ned. Ver. v. Historie v/d Radio



Met dank aan Jef Bos

ALIGNMENT INSTRUCTIONS

Check for specified source voltage.

Fashion loop of several turns of wire and connect generator across loop.

Adjust output of generator to radiate only enough signal into receiver to obtain a suitable indication.

Suggested Alignment Tools:

A1, A2, A3, A5..... GENERAL CEMENT #5067, 8282, 8606

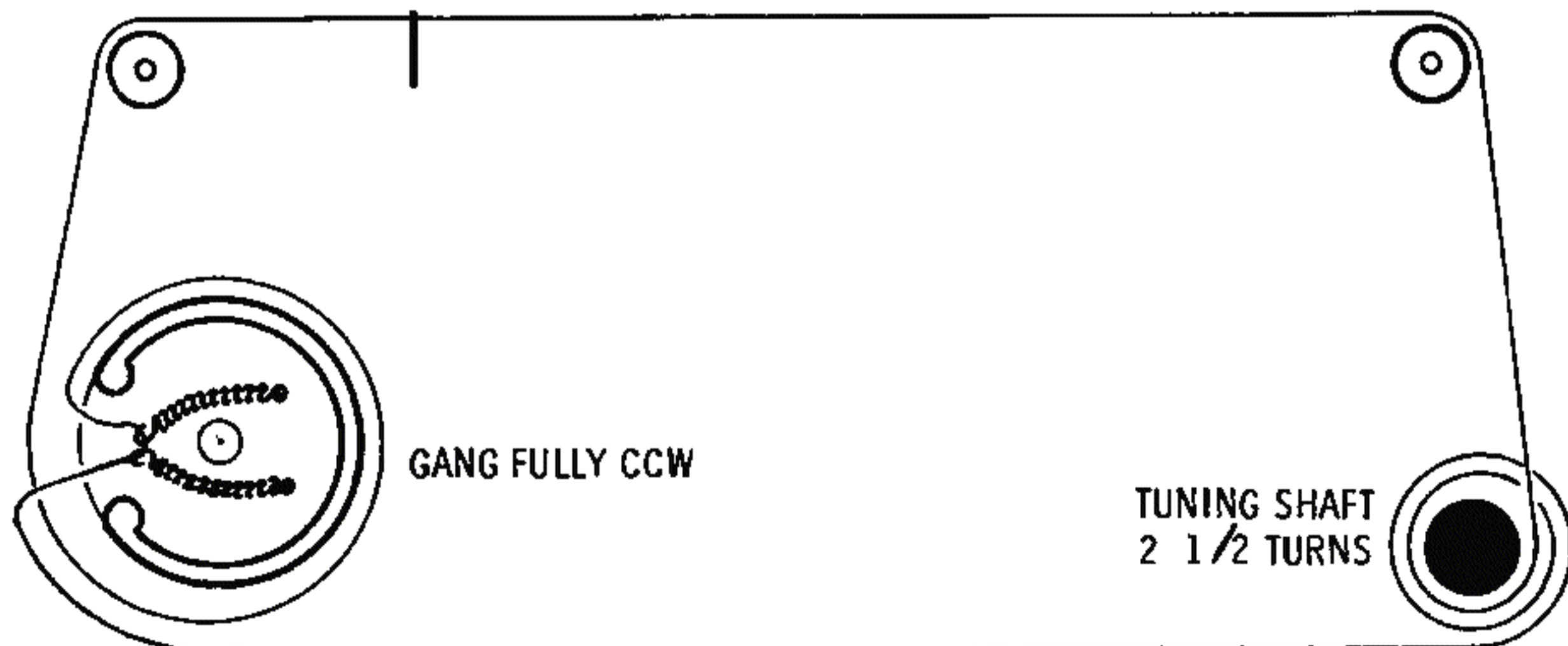
WALSCO #2526, 2543

A4, A6..... GENERAL CEMENT #5000, 5066, 8290

WALSCO #2525

	SIGNAL GENERATOR FREQUENCY	RADIO DIAL SETTING	INDICATOR	ADJUST	REMARKS
1.	455KC (400% Mod.)	Tuning gang fully open.	Output Meter across voice coil.	A1, A2, A3	Adjust for maximum. Repeat as required.
2.	1620KC	"	"	A4	Adjust for maximum.
3.	600KC	Tune to Signal.	"	A5	Rock tuning gang and adjust for maximum. Repeat steps 2 and 3.
4.	1400KC	"	"	A6	Adjust for maximum.

DIAL CORD STRINGING



HOWARD W. SAMS & CO., INC. Indianapolis 6, Indiana

TRANSISTORS

ITEM No.	ORIG. TYPE	USE	REPLACEMENT DATA			NOTES
			DELCO PART No.	GENERAL ELECTRIC PART No.	RCA PART No.	
X1	2SA102	Converter				PNP
X2	2SA102	1st IF Amplifier				PNP
X3	2SA101	2nd IF Amplifier				PNP
X4	2SB171	Driver			2N406	PNP
X5	2SB172	Output			2N408	PNP
X6	2SB172	Output			2N408	PNP

ELECTROLYTIC CAPACITORS

ITEM No.	RATING		REPLACEMENT DATA						
	CAP.	VOLT.	PANASONIC PART No.	AEROVOX PART No.	CORNELL-DUBILIER PART No.	GENERAL ELECTRIC PART No.	MALLORY PART No.	PYRAMID PART No.	SPRAGUE PART No.
C1	10	6	NCT6V10						
C2	30	6	NCA6V30						
C3	5	6	NCT6V5S						
C4	30	6	NCA6V30						
C5	50	10	NCA10V50L						

FIXED CAPACITORS

ITEM No.	RATING	PANASONIC PART No.	REPLACEMENT DATA						
			AEROVOX PART No.	CENTRALAB PART No.	CORNELL-DUBILIER PART No.	ELMENDO PART No.	MALLORY PART No.	SPRAGUE PART No.	
C6	135 5%	SHDXP011350J							
C7	2 +.5mmf		NPO-DI 2.2	DTZ-2R2	C10V22C	CCTO-2R2	CNO-522	10TCC-V22	
C8	2 +.5mmf		NPO-DI 2.2	DTZ-2R2	C10V22C	CCTO-2R2	CNO-522	10TCC-V22	
C9	.001 10%	MKAZ05102K							
C10	.001 10%	MKAZ05102K							

CONTROLS

All wattages 1/2 watt, or less, unless otherwise listed.

ITEM No.	USE	RESIST-ANCE	REPLACEMENT DATA				
			PANASONIC PART No.	CENTRALAB PART No.	CLAROSTAT PART No.	CTS-IRC PART No.	MALLORY PART No.
R1	Volume & Switch	2000Ω	103211001				

COILS (RF-IF)

ITEM No.	USE	REPLACEMENT DATA					NOTES
		PANASONIC PART No.	MERIT PART No.	MILLER PART No.	STANCOR PART No.	WORKMAN PART No.	
L1	Loopstick	102108001					
L2	Oscillator	102307001		2060	RTC-9261		
L3	1st IF	101104101	BC-569	2061	RTC-9262		
L4	2nd IF	101104102	BC-570	2062	RTC-9263		
L5	3rd IF	101104103	BC-571	2063	RTC-9264		

TRANSFORMER (DRIVER)

ITEM No.	TURNS RATIO		REPLACEMENT DATA					NOTES
	PRI.	SEC.	PANASONIC PART No.	MERIT PART No.	STANCOR PART No.	THORDARSON PART No.	TRIAD PART No.	
T1	1.1	1	101308001			TR-38		

DESCRIPTION

TRANSFORMER (AUDIO OUTPUT)

ITEM No.	IMPEDANCE		REPLACEMENT DATA				NOTES
			PANASONIC PART No.	MERIT PART No.	STANCOR PART No.	THORDARSON PART No.	
T2	PRI. 500Ω CT	SEC. 8-8Ω	101408001			TR-49	

SPEAKER

ITEM No.	TYPE	REPLACEMENT DATA		NOTES
		PANASONIC PART No.	QUAM PART No.	
SP1	2 1/8" PM 8Ω	106105001		

COMPONENT COMBINATIONS

ITEM No.	USE	DESCRIPTION	PANASONIC PART No.	REPLACEMENT DATA
K1	Converter Bias	.025mfd, 5600Ω	CR22PK562	
K2	Converter Bias	.01mfd, 1800Ω	CR21PK182	
K3	1st IF Emit. Bias	.025mfd, 1000Ω	CR22PK102	
K4	2nd IF Base Bias	.025mfd, 4700Ω	CR22PK472	
K5	Diode RF Filter	.01mfd, .01mfd, 470Ω	CR31PK471	

BATTERIES

ITEM No.	VOLTAGE	PANASONIC PART No.	REPLACEMENT DATA			NOTES
			BURGESS	EVEREADY	MALLORY	
M1	9V		2U6	216	M1604 (or MN1604, TR-146)	

MISCELLANEOUS

ITEM No.	PART NAME	PANASONIC PART No.	NOTES
M2 M3	Tuning Cap. Detector (OA90)	104305801-A	2 Gang

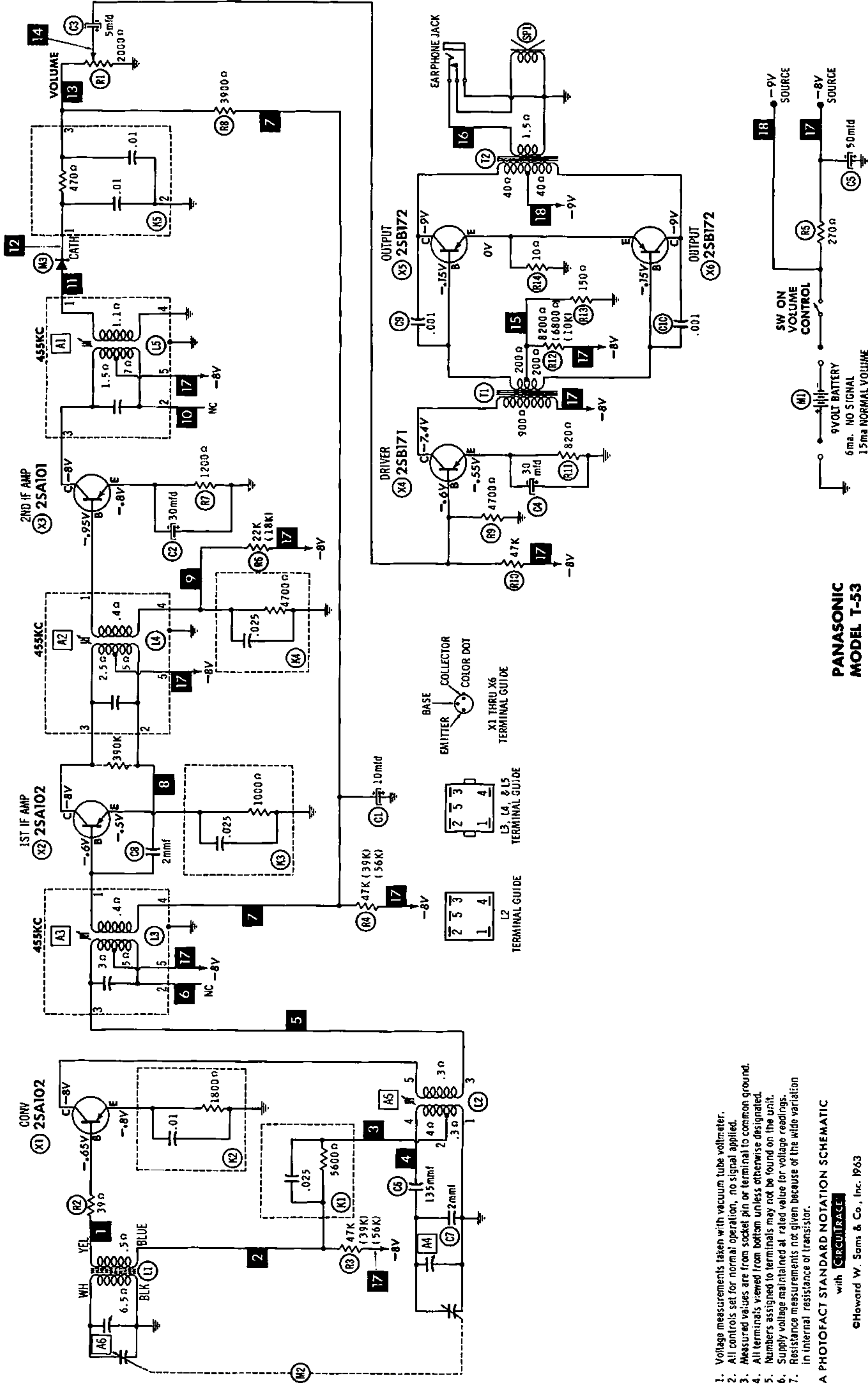
CABINETS & CABINET PARTS

(When Ordering Specify Model, Chassis & Color)

ITEM	PART No.	ITEM	PART No.
Knob, Tuning	110500101	Earphone, Magnetic - 16Ω	112100001-A
Knob, Volume	110300101	Pointer, Dial	107001401
Cabinet, Front	105101112-A	Case, Cabinet-Leather	105106212
Cabinet, Rear	105105112-A	Case, Earphone - Leather	105107212

WIRING DATA

General-use Unshielded Hook-up Wire	Use BELDEN No. 8530 (Solid 22AWG)	Available
	8524 (Stranded 22AWG)	in
	8570 (Stranded 28AWG)	12 Colors



1. Voltage measurements taken with vacuum tube voltmeter.
2. All controls set for normal operation, no signal applied.
3. Measured values are from socket pin or terminal to common ground.
4. All terminals viewed from bottom unless otherwise designated.
5. Numbers assigned to terminals may not be found on the unit.
6. Supply voltage maintained at rated value for voltage readings.
7. Resistance measurements not given because of the wide variation in internal resistance of transistor.

A PHOTOFACT STANDARD NOTATION SCHEMATIC
with **CIRCUITACE**

©Howard W. Sams & Co., Inc. 1963

PANASONIC
MODEL T-53

9VOLT BATTERY
6ma. NO SIGNAL
15ma NORMAL VOLUME

