

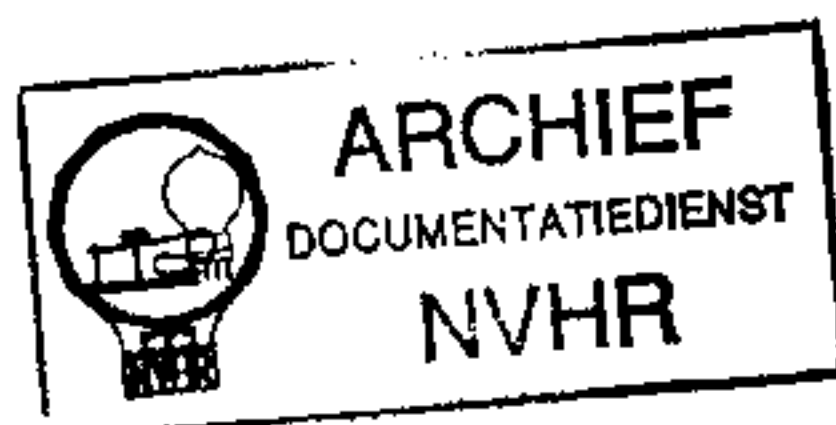
PHOTOFACT® Folder

with CIRCUITRACE®

MATSUSHITA or PANASONIC  
MODEL T-50



Ned. Ver. v. Historie v/d Radio



Met dank aan Jef Bos



TRADE NAME	Matsushita or Panasonic Model T-50		
IMPORTER	Matsushita Electric Corp. of America, 41 E. 42nd Street, New York 17, N. Y.		
TYPE SET	Battery Operated Transistorized Portable AM Receiver		
POWER SUPPLY	6 Volts DC	RATING	5 MA @ 6 Volts DC (No Signal, Min. Volume)
TUNING RANGE—BROADCAST	540 — 1600KC		16MA @ 6 Volts DC (Signal, Normal Volume)

## ALIGNMENT INSTRUCTIONS

### ALIGNMENT INSTRUCTIONS—READ CAREFULLY BEFORE ATTEMPTING ALIGNMENT

Volume control should be at maximum position. Output of signal generator should be no higher than necessary to obtain an output reading.

Suggested Alignment Tools:

- A1, A2, A3..... GENERAL CEMENT #8607, 9291, 9294  
WALSCO #2520, 2522, 2523, 2524, 2534, 2537
- A4..... GENERAL CEMENT #5004, 5009, 8195, 8274, 8275, 8607, 8728, 8987, 8988, 8989, 9291  
WALSCO #2515, 2520, 2522, 2523, 2531, 2532, 2537, 2538, 2534
- A5..... GENERAL CEMENT #8282, 8606, 8606-L, 9091  
WALSCO #2526, 2541, 2542, 2543, 2544

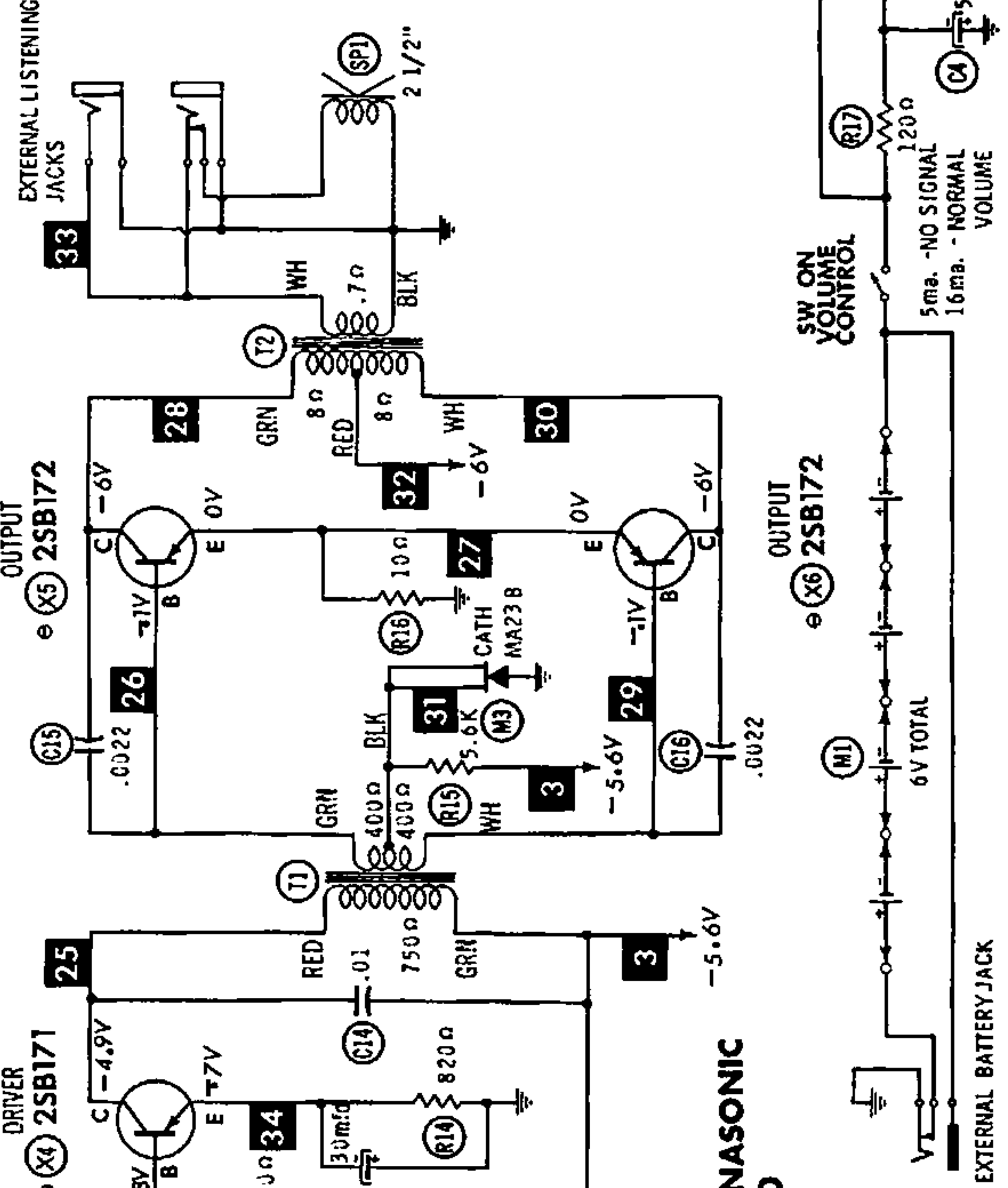
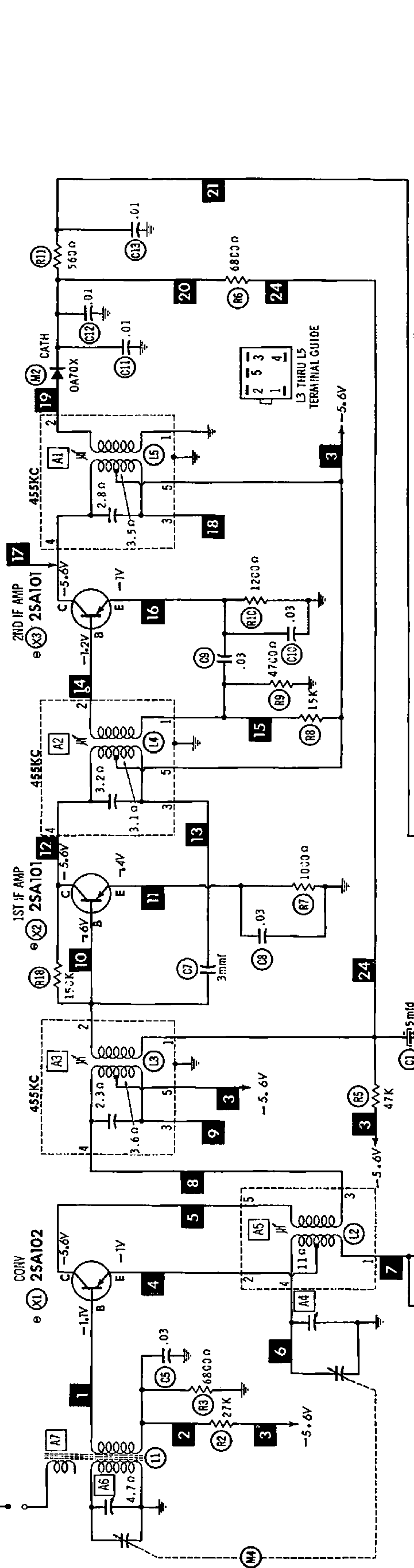
	SIGNAL GENERATOR COUPLING	SIGNAL GENERATOR FREQUENCY	RADIO DIAL SETTING	OUTPUT METER	ADJUST	REMARKS
1.	Fashion loop of several turns of wire and radiate signal into loop of receiver	455KC (400% Mod.)	Tuning gang fully open.	Across voice coil.	A1, A2, A3	Adjust for maximum output.
2.	"	1600KC	1600KC	"	A4	"
3.	"	600KC	600KC	"	A5	"
4.	"	1400KC	1400KC Signal.	"	A6	"
5.	"	600KC	600KC Signal.	"	A7	Adjust for maximum output by moving antenna coil turns along ferrite core. Repeat steps 2 thru 5.

### HOWARD W. SAMS & CO., INC. Indianapolis 6, Indiana

The listing of any available replacement part herein does not constitute in any case a recommendation, warranty or guaranty by Howard W. Sams & Co., Inc., as to the quality and suitability of such replacement part. The numbers of these parts have been compiled from information furnished to Howard W. Sams & Co., Inc., by the manufacturers of LF121

the particular type of replacement part listed. Reproduction or use, without express permission, of editorial or pictorial content, in any manner, is prohibited. No patent liability is assumed with respect to the use of the information contained herein. ©1962 Howard W. Sams & Co., Inc., Indianapolis 6, Indiana. Printed in U.S. of America

TELESCOPIC ANT.



**MATSUSHITA or PANASONIC  
MODEL T-50**

SEE PARTS LIST FOR ALTERNATE VALUE OR APPLICATION

DC COIL RESISTANCE VALUES UNDER ONE OHM NOT SHOWN ON SCHEMATIC DIAGRAM

1. DC voltage measurements taken with vacuum tube voltmeter.
2. Socket connections or transistor terminals are shown as bottom views.
3. Measured values are from socket pin or terminal to common ground.
4. Nominal tolerance on component values makes possible a variation of ±15% in voltage and resistance readings.
5. Volume control at maximum, no signal applied for voltage measurements.

A PHOTOFACT STANDARD NOTATION SCHEMATIC with **CIRCUITRACE**

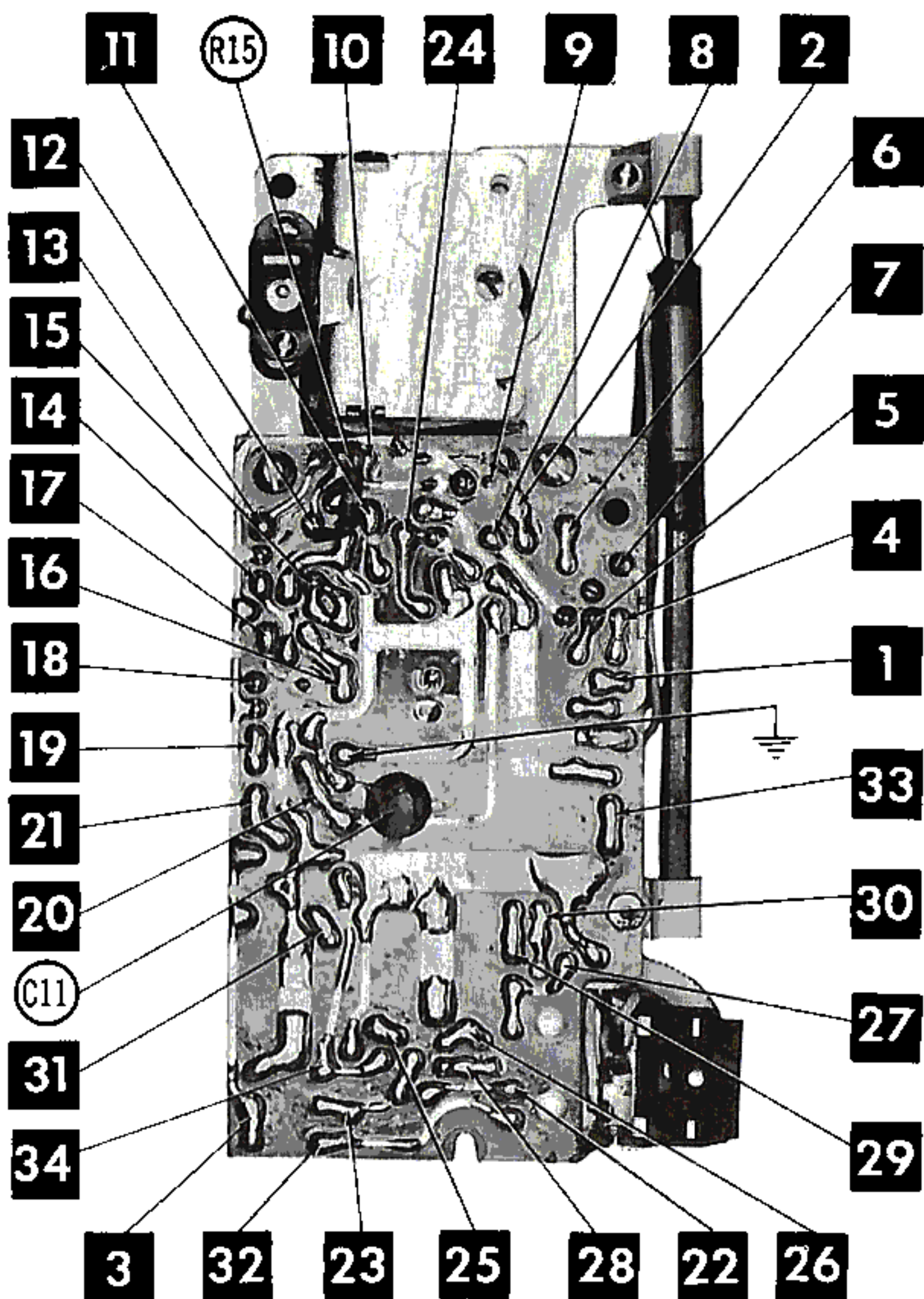
© Howard W. Sams & Co., Inc. 1962





# PRINTED BOARD

Howard W. Same **CIRCUITRACE** Photo



# PARTS LIST AND DESCRIPTIONS (Continued)

## COILS (RF-IF)

ITEM No.	USE	REPLACEMENT DATA					NOTES
		MATSUSHITA PART No.	Merit PART No.	Miller PART No.	Stancor PART No.	Workman TV PART No.	
L1 L2 L3 L4 L5	Loopstick Osc. 1st IF 2nd IF 3rd IF	AM2011-G AOP <sub>2</sub> -X TI-Z <sub>1</sub> D TI-W <sub>2</sub> TI-W <sub>4</sub>					

## TRANSFORMER (DRIVER)

ITEM No.	TURNS RATIO	REPLACEMENT DATA					NOTES
		MATSUSHITA PART No.	Merit PART No.	Stancor PART No.	Thordarson PART No.	Triad PART No.	
T1	PRI. 1.2 SEC. 1	TT-23BS					

## TRANSFORMER (AUDIO OUTPUT)

ITEM No.	IMPEDANCE		REPLACEMENT DATA					NOTES
	PRI.	SEC.	MATSUSHITA PART No.	Merit PART No.	Stancor PART No.	Thordarson PART No.	Triad PART No.	
T2	400Ω CT	6-8Ω	TT-24S					

## SPEAKER

ITEM No.	TYPE			REPLACEMENT DATA		NOTES
	SIZE	FIELD	V. C. IMP.	MATSUSHITA PART No.	QUAM PART No.	
SP1	2 1/4"	PM	6-8Ω	P-222SB		

## BATTERIES

ITEM No.	VOLTAGE	MATSUSHITA PART No.	REPLACEMENT DATA						NOTES
			BURGESS		EVEREADY		MALLORY		
			"A"	"B"	"A"	"B"	"A"	"B"	
M1	1 1/2V	UM-3A		930		1015		M-15R	4 Required

## SIGNAL DIODES

ITEM No.	ORIG. TYPE	REPLACEMENT DATA			NOTES
		MATSUSHITA PART No.	GENERAL ELECTRIC PART No.	RAYTHEON PART No.	
M2 M3	OA70X MA23B	OA70X		1N60	Detector-AVC Output Bias Regulation

## MISCELLANEOUS

ITEM No.	PART NAME	MATSUSHITA PART No.	NOTES
M4	Tuning Cap.	2XC-17 B29	2 Gang

## CABINETS & CABINET PARTS

(When Ordering Cabinets & Cabinet Parts, Specify Model, Chassis & Color)

NAME	PART NO.	DESCRIPTION
Knob Knob Cabinet	T-50T T-50V T-50 CAB.	Tuning Volume Includes Back Cover

## WIRING DATA

General-use Unshielded Hook-up Wire ..... Use BELDEN No. 8530 (Solid) Available in Ten Colors  
8524 (Stranded) Available in Ten Colors



**CHASSIS—TOP VIEW**

