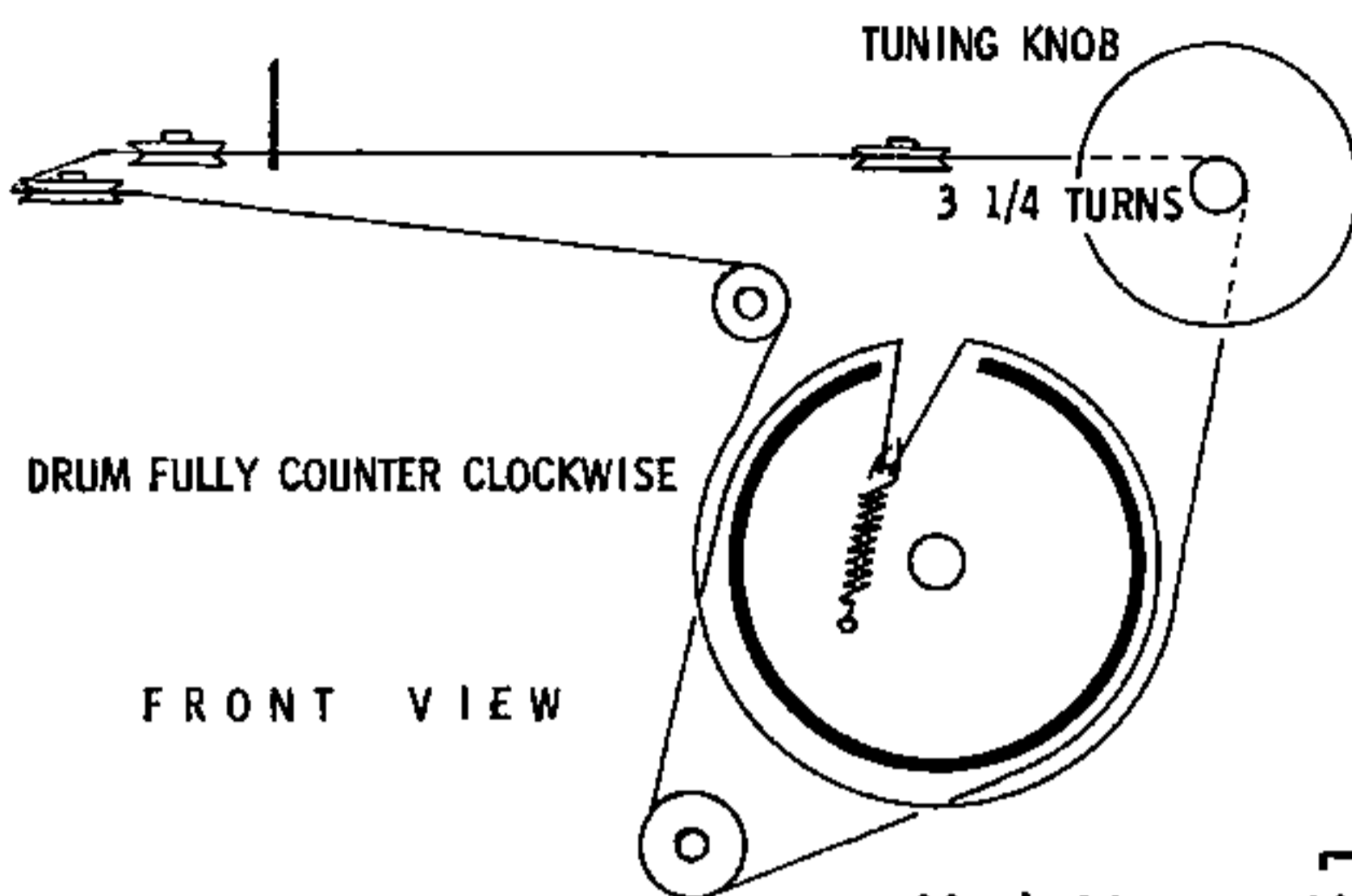


PHOTOFACT® Folder

with CIRCUITRACE®

MATSUSHITA or PANASONIC
MODEL T-41U

DIAL CORD STRINGING



Ned. Ver. v. Hi

TRADE NAME	Matsushita or Panasonic Model T-41U		
IMPORTER	Matsushita Electric Corp. of America, 41 E. 42nd Street, New York 17, N. Y.		
TYPE SET	Battery Operated Transistorized Portable BC-SW Receiver		
POWER SUPPLY	6 Volts DC	RATING	7MA@6 Volts DC (No Signal, Minimum Volume)
TUNING RANGE--	BROADCAST 540-1600KC		25MA@6 Volts DC (Signal, Normal Volume)
	SHORT WAVE 3.9-10.0MC		



ALIGNMENT INSTRUCTIONS

ALIGNMENT INSTRUCTIONS--READ CAREFULLY BEFORE ATTEMPTING ALIGNMENT

Volume control should be at maximum position. Output of signal generator should be no higher than necessary to obtain an output reading.

Suggested Alignment Tools:

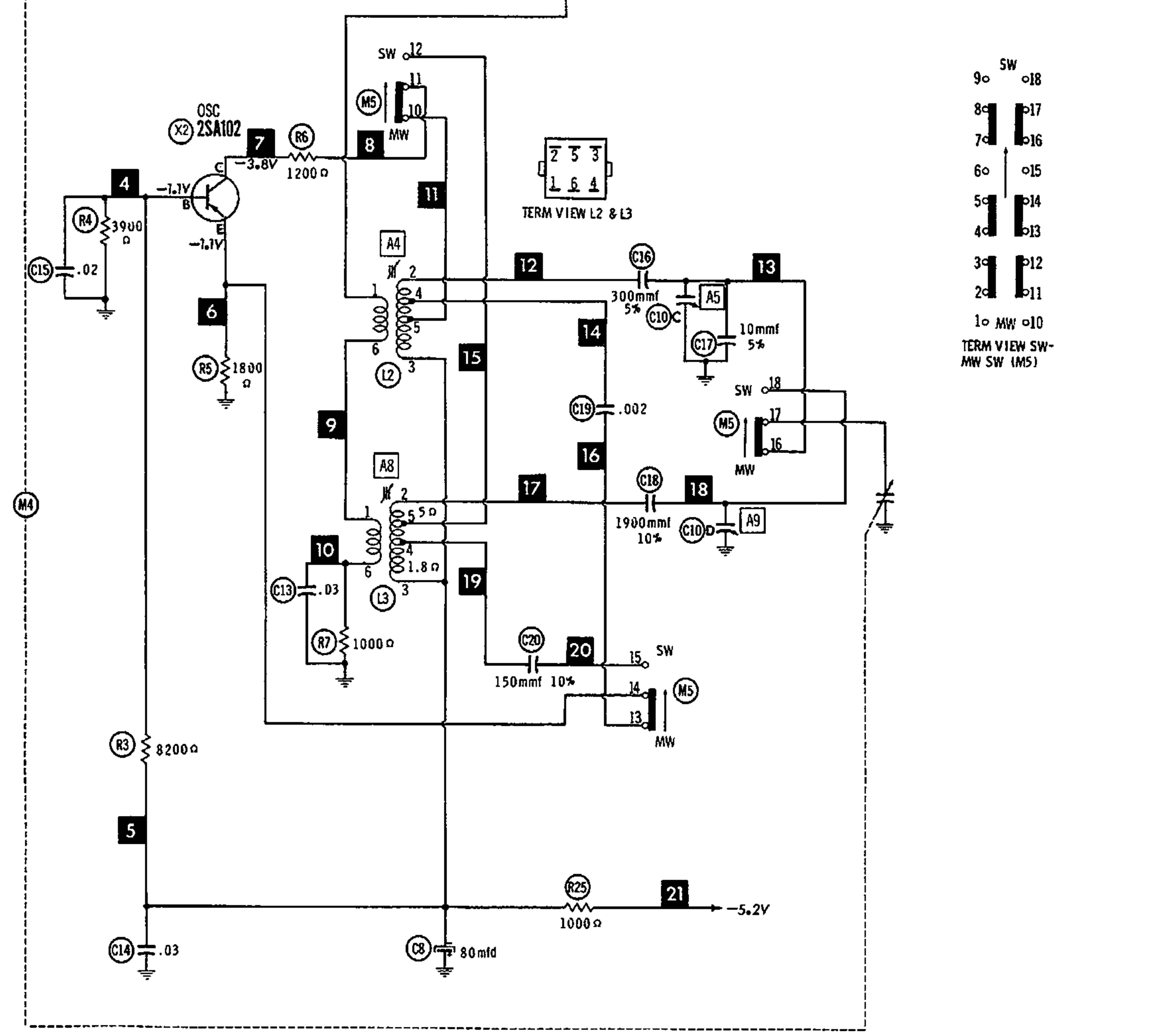
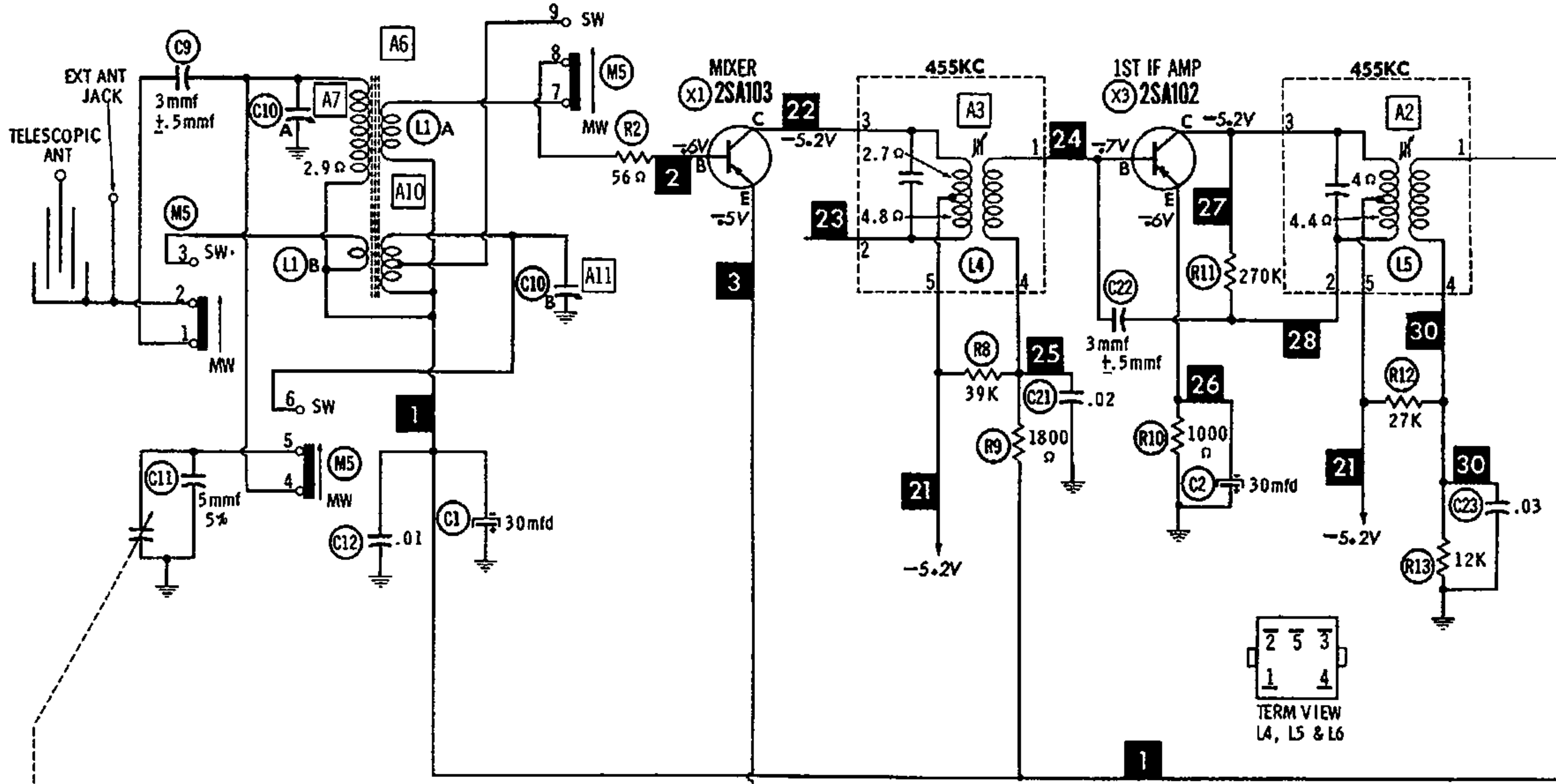
- A1, A2, A3..... GENERAL CEMENT #5009, 8195, 8274, 8275, 8728, 8729, 8987, 8988, 8989
WALSCO #2515, 2531, 2532
- A4, A8..... GENERAL CEMENT #8282, 8606, 8606-L, 9091
WALSCO #2526, 2541, 2542, 2543, 2544
- A5, A7, A9, All..... GENERAL CEMENT# 5000, 5003, 8276, 8290
WALSCO #2512, 2515, 2522, 2523, 2525, 2537

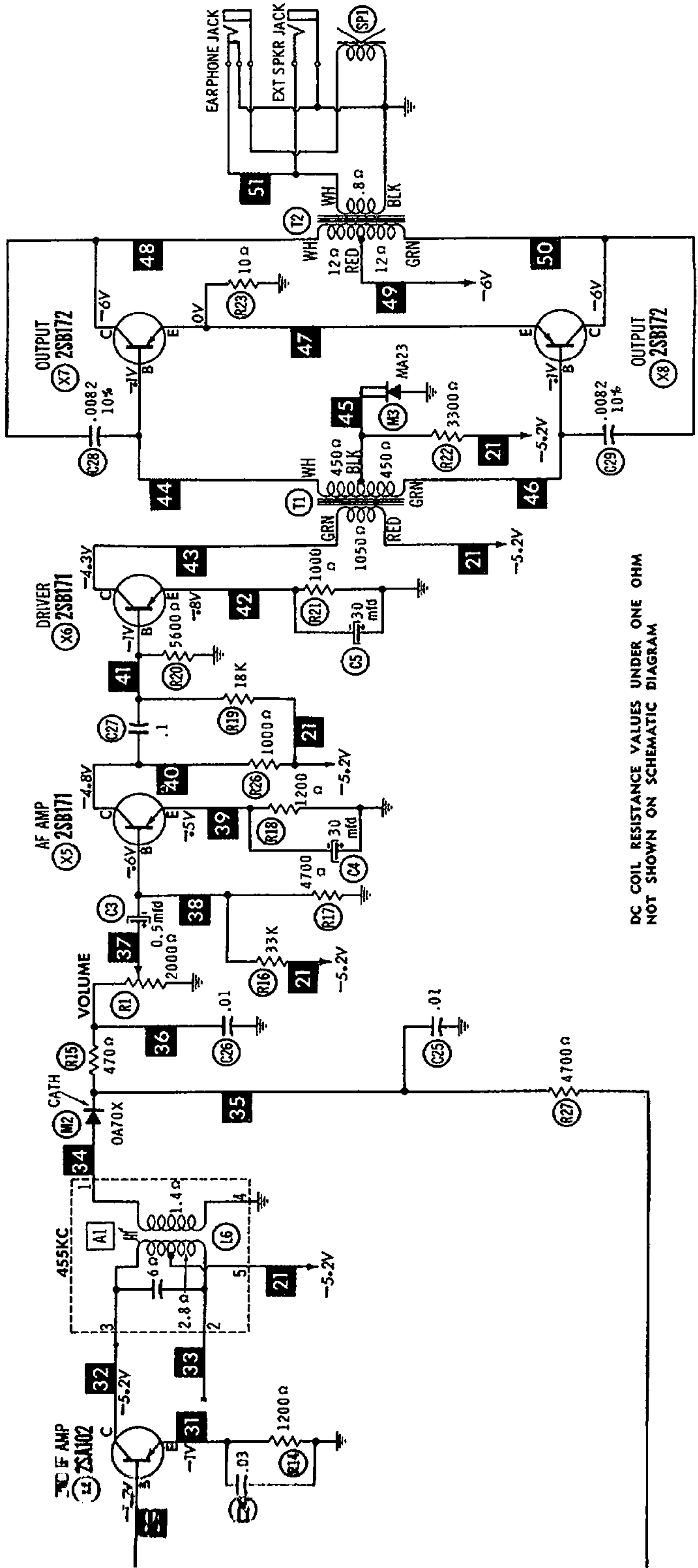
	SIGNAL GENERATOR COUPLING	SIGNAL GENERATOR FREQUENCY	RADIO DIAL SETTING	OUTPUT METER	ADJUST	REMARKS
1.	Fashion loop of several turns of wire and radiate signal into loop of receiver.	455KC (400 μ Mod.)	(MW) Tuning gang fully closed.	Across voice coil.	A1, A2, A3	Adjust for maximum output.
2.	"	530KC	"	"	A4	"
3.	"	1650KC	Tuning gang fully open.	"	A5	"
4.	"	600KC	600KC Signal.	"	A6	Adjust for maximum output by moving antenna coil turns along ferrite core.
5.	"	1400KC	1400KC Signal.	"	A7	Adjust for maximum output. Repeat steps 2 thru 5.
6.	"	3.8MC	(SW) Tuning gang fully closed.	"	A8	Adjust for maximum output.
7.	"	10.4MC	Tuning gang fully open.	"	A9	"
8.	"	4MC	4.0MC Signal.	"	A10	Adjust for maximum output by moving antenna coil turns along ferrite core.
9.	"	10MC	10.0MC Signal.	"	All	Adjust for maximum output. Repeat steps 6 thru 9.

HOWARD W. SAMS & CO., INC. Indianapolis 6, Indiana

The listing of any available replacement part herein does not constitute in any case a recommendation, warranty or guaranty by Howard W. Sams & Co., Inc., as to the quality and suitability of such replacement part. The numbers of these parts have been compiled from information furnished to Howard W. Sams & Co., Inc., by the manufacturers of LFI20

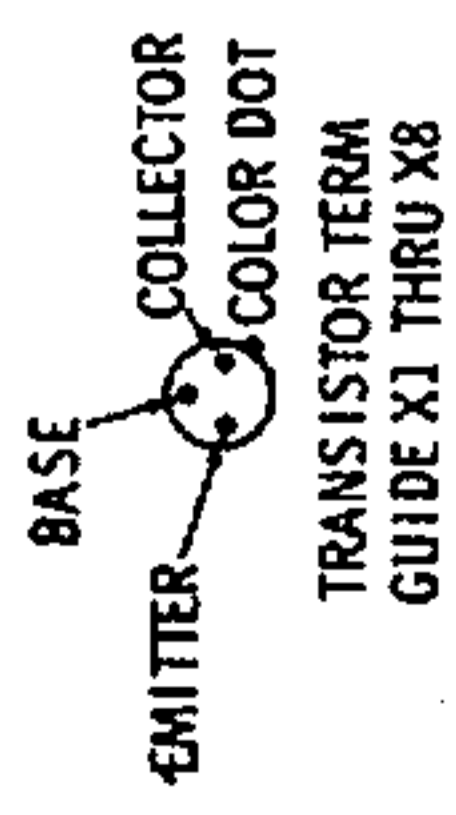
the particular type of replacement part listed. Reproduction or use, without express permission, of editorial or pictorial content, in any manner, is prohibited. No patent liability is assumed with respect to the use of the information contained herein. ©1962 Howard W. Sams & Co., Inc., Indianapolis 6, Indiana. Printed in U.S. of America





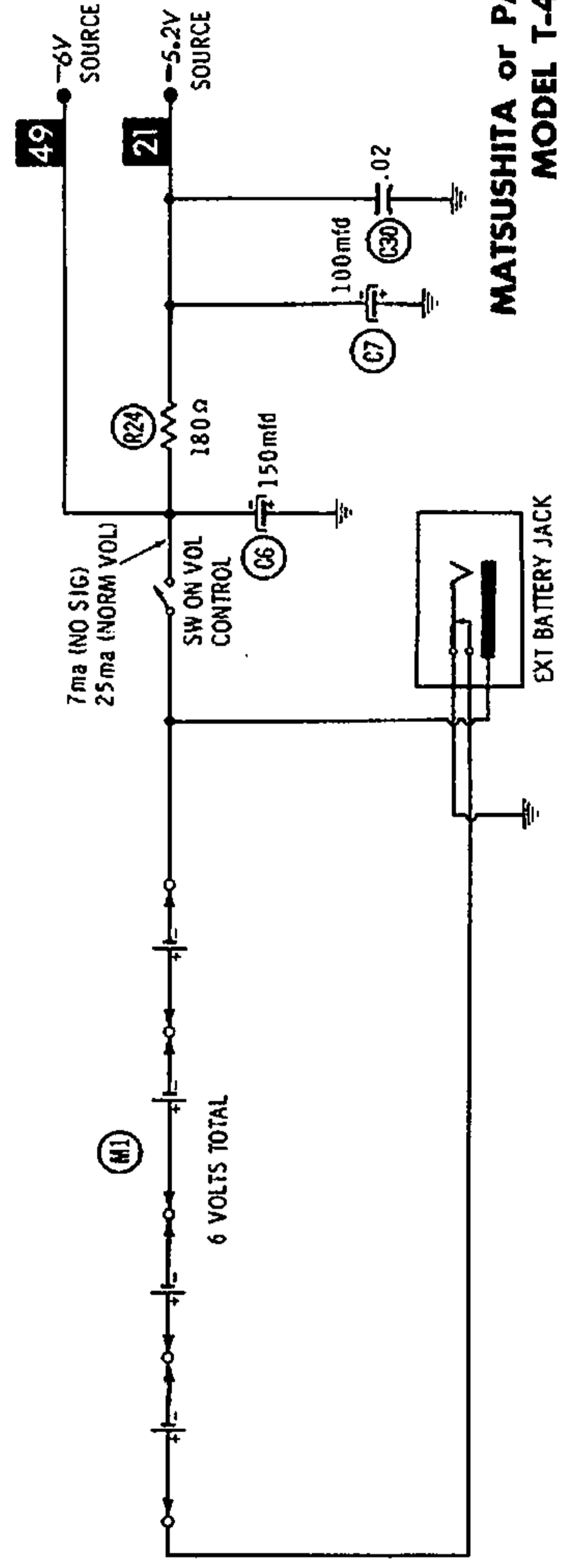
DC COIL RESISTANCE VALUES UNDER ONE OHM NOT SHOWN ON SCHEMATIC DIAGRAM

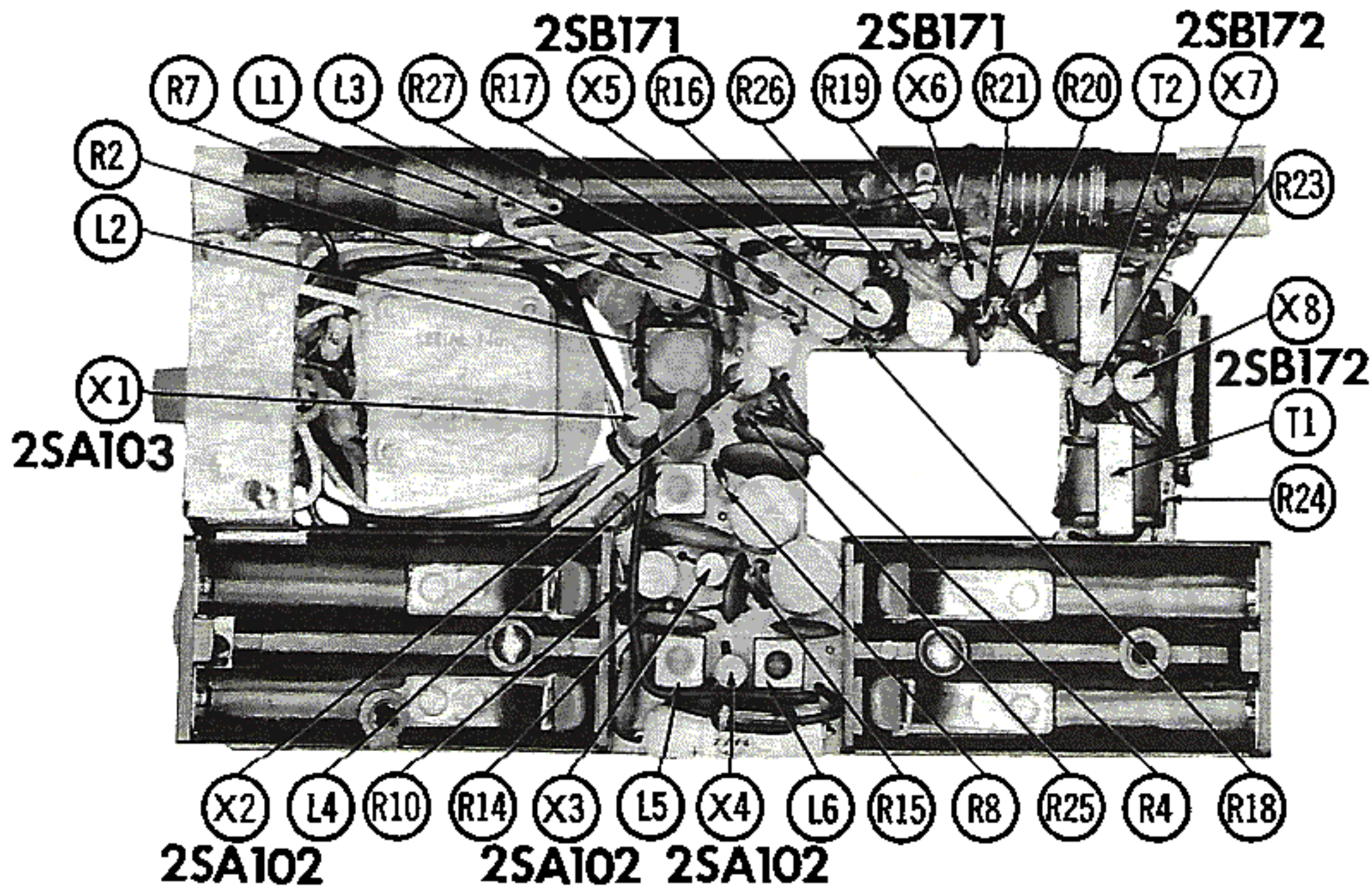
NUMBERS ASSIGNED TO COILS, SWITCHES, PLUGS, SOCKETS, AND TRANSFORMERS ARE TO FACILITATE CIRCUIT TRACING OR COMPONENT REPLACEMENT AND MAY NOT NECESSARILY BE FOUND ON THE UNIT.



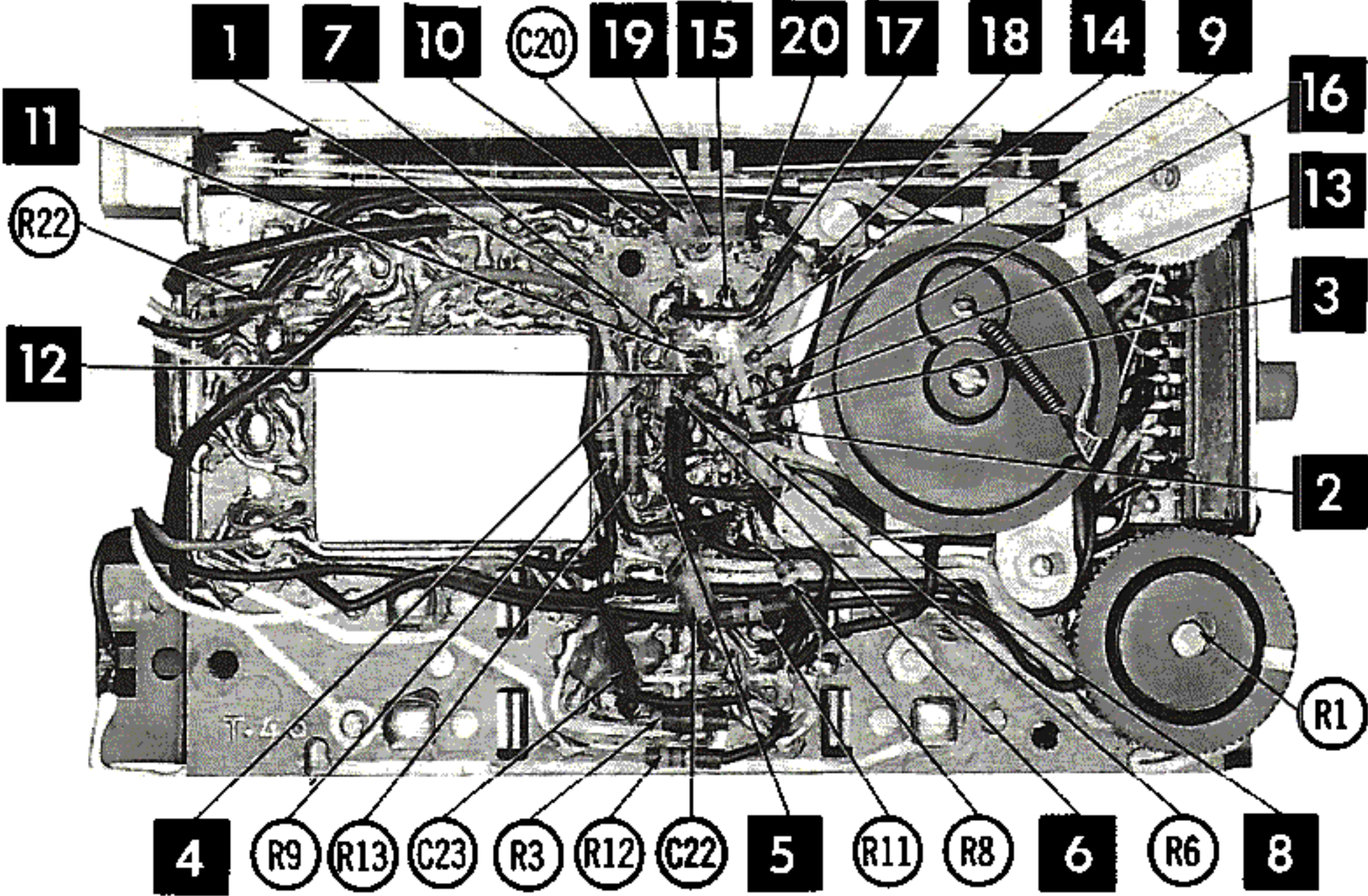
RESISTANCE MEASUREMENTS NOT GIVEN BECAUSE OF THE WIDE VARIATION IN INTERNAL TRANSISTOR RESISTANCE.

1. DC voltage measurements taken with vacuum tube voltmeter.
2. Socket connections or transistor terminals are shown as bottom views.
3. Measured values are from socket pin or terminal to common ground.
4. Nominal tolerance on component values makes possible a variation of ±15% in voltage and resistance readings.
5. Volume control at maximum, no signal applied for voltage measurements.



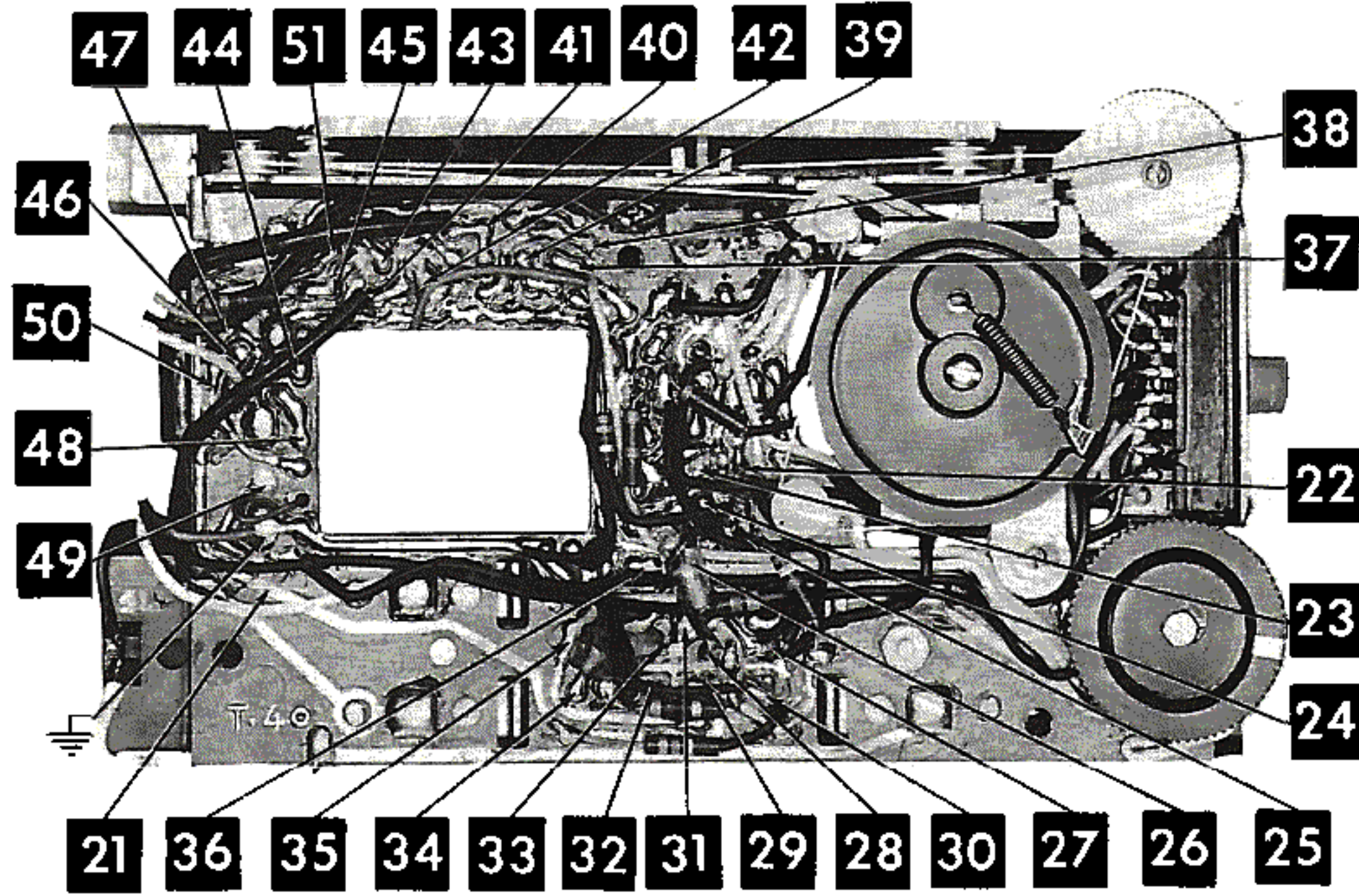


CHASSIS TOP VIEW-RESISTOR, INDUCTOR & TRANSISTOR IDENT.



A Howard W. Sams **CIRCUITRACE** Photo

PRINTED BOARD



A Howard W. Sams **CIRCUITRACE** Photo

PRINTED BOARD

WIRING DATA

General-use Unshielded Hook-up Wire Use BELDEN No. 8530 (Solid) Available in Ten Colors
8524 (Stranded) Available in Ten Colors

TRANSISTORS

ITEM No.	ORIG. TYPE	USE	REPLACEMENT DATA		NOTES
			RCA PART No.	RAYTHEON PART No.	
X1	2SA103	Mixer	2N1527		PNP
X2	2SA102	Oscillator	2N1527		PNP
X3	2SA102	1st IF Amplifier	2N1525		PNP
X4	2SA102	2nd IF Amplifier	2N1525		PNP
X5	2SB171	AF Amplifier	2N406		PNP
X6	2SB171	Driver	2N406		PNP
X7	2SB172	Output	2N408		PNP
X8	2SB172	Output	2N408		PNP

ELECTROLYTIC CAPACITORS

ITEM No.	RATING		REPLACEMENT DATA						
	CAP.	VOLT.	Matsushita PART No.	AEROVOX PART No.	CORNELL-DUBILIER PART No.	GENERAL ELECTRIC PART No.	MALLORY PART No.	PYRAMID PART No.	SPRAGUE PART No.
C1	30	3	NPA3V30	BCD3003	ECPB113	MT1-13	TT6X30	MLV30-6	TE-1092
C2	30	3	NPA3V30	BCD3003	ECPB113	MT1-13	TT6X30	MLV30-6	TE-1092
C3	0.5	10	NPA10V05	PTT34	NLW1-50	MT1-1	TT12X1		TE-1120
C4	30	3	NPA3V30	BCD3003	ECPB113	MT1-13	TT6X30	MLV30-6	TE-1092
C5	30	3	NPA3V30	BCD3003	ECPB113	MT1-13	TT6X30	MLV30-6	TE-1092
C6	150	6	NPA6V150H	PTT30	NLW150-6	MT1-21	TT6X100	MLV150-6	TE-1103
C7	100	6	NCT6V100	PTT30	NLW100-12	MT1-18	TT6X100	MLV100-6	TE-1102
C8	80	6	NPA6V80	PTT30	NLW75-10	MT1-18	TT6X80	MLV100-6	TE-1101.5

FIXED CAPACITORS

ITEM No.	RATING	REMARKS	REPLACEMENT DATA					
			AEROVOX PART No.	CENTRALAB PART No.	CORNELL-DUBILIER PART No.	ELMENCO PART No.	MALLORY PART No.	SPRAGUE PART No.
C9 C10A B C D	3 \pm 5mmf	} #4RT-1B	NPO-SI 3.0	TCZ-3R3	C10V3C		CNO-533	10TCC-V33
C11 C12 C13 C14 C15	5 5% .01 100V .03 100V .03 100V .02 100V		NPO-SI 5.0	TCZ-4R7 DDM-103 DDM-203	C10V5C H-05S1 H-05S2		CNO-547 TA-110 TA-120	10TCC-V50 TG-S10 TG-S30 TG-S30 TG-S20

DESCRIPTIONS

FIXED CAPACITORS (cont)

ITEM No.	RATING	REMARKS	REPLACEMENT DATA					
			AEROVOX PART No.	CENTRALAB PART No.	CORNELL-DUBILIER PART No.	ELMENCO PART No.	MALLORY PART No.	SPRAGUE PART No.
C16	300 5% 100V			TCZ-300				10TCC-T30
C17	10 5%		NPO-SI 10	TCZ-10	C10Q1C		CNO-410	10TCC-Q10
C18	1800 10% 100V							
C19	.002		BPD-002	DM-202	BYA10D2	CCD-202	GP222	5HK-D20
C20	150 10%			D6-151	L10T5	CCD-151	GP315	10TCC-T15
C21	.02 100V			DDM-203	H-05S2		TA-120	TG-S20
C22	3 ±.5mmf		NPO-SI 3.0	TCZ-3R3	C10V3C		CNO-533	10TCC-V33
C23	.03 100V							TG-S30
C24	.03 100V							TG-S30
C25	.01 100V			DDM-103	H-05S1		TA-110	TG-S10
C26	.01 100V			DDM-103	H-05S1		TA-110	TG-S10
C27	.1 75V		V84C2P1	DDA-104	MP2P1			2WF-P10
C28	.0082 10% 50V					CCD-822		
C29	.0082 10% 50V					CCD-822		
C30	.02 100V			DDM-203	H-05S2		TA-120	TG-S20

Matsushita Part Number.

CONTROLS

All wattages 1/2 watt, or less, unless otherwise listed.

ITEM No.	USE	RESISTANCE	REPLACEMENT DATA				
			Matsushita PART No.	CENTRALAB PART No.	CLAROSTAT PART No.	CTS-IRC PART No.	MALLORY PART No.
R1	Volume & Switch	2000Ω	SNV16T1.2				

RESISTORS

All wattages 1/2 watt, or less, unless otherwise listed.

ITEM No.	RATING	REPLACEMENT DATA			ITEM No.	RATING	REPLACEMENT DATA		
		IRC PART No.	WORKMAN TV PART No.	REMARKS			IRC PART No.	WORKMAN TV PART No.	REMARKS
R2	56Ω				R15	470Ω			
R3	8200Ω				R16	33K			
R4	3900Ω				R17	4700Ω			
R5	1800Ω				R18	1200Ω			
R6	1200Ω				R19	18K			
R7	1000Ω				R20	5600Ω			
R8	39K				R21	1000Ω			
R9	1800Ω				R22	3300Ω			
R10	1000Ω				R23	10Ω			
R11	270Ω				R24	180Ω			
R12	27K				R25	1000Ω			
R13	12K				R26	1000Ω			
R14	1200Ω				R27	4700Ω			

PARTS LIST AND DESCRIPTIONS (Continued)

COILS (RF-IF)

ITEM No.	USE	REPLACEMENT DATA					NOTES
		Matsushita PART No.	Merit PART No.	Miller PART No.	Stancor PART No.	Workman TV PART No.	
L1A B L2 L3 L4 L5 L6	MW Loopstick SW Loopstick MW Osc. SW Osc. 1st IF 2nd IF 3rd IF	AGM 1014B AOP ₂ -K GOP ₃ -W TI-S ₁ B TI-S ₂ B TI-S ₃					

TRANSFORMER (DRIVER)

ITEM No.	TURNS RATIO	REPLACEMENT DATA					NOTES
		Matsushita PART No.	Merit PART No.	Stancor PART No.	Thordarson PART No.	Triad PART No.	
	PRI. SEC.						
T1	1 1	TT-25S					

TRANSFORMER (AUDIO OUTPUT)

ITEM No.	IMPEDANCE		REPLACEMENT DATA					NOTES
	PRI.	SEC.	Matsushita PART No.	Merit PART No.	Stancor PART No.	Thordarson PART No.	Triad PART No.	
T2	700Ω CT	6-8Ω	TT-28S		-			

SPEAKER

ITEM No.	TYPE			REPLACEMENT DATA		NOTES
	SIZE	FIELD	V. C. IMP.	Matsushita PART No.	QUAM PART No.	
SP1	2½"	PM	6-8Ω	P-222SB		

BATTERIES

ITEM No.	VOLTAGE	Matsushita PART No.	REPLACEMENT DATA						NOTES
			BURGESS		EVEREADY		MALLORY		
			"A"	"B"	"A"	"B"	"A"	"B"	
M1	1 1/2	UM-3A		930		1015		M-15R	4 Required

SIGNAL DIODES

ITEM No.	ORIG. TYPE	REPLACEMENT DATA			NOTES
		Matsushita PART No.	GENERAL ELECTRIC PART No.	RAYTHEON PART No.	
M2 M3	OA70X MA23			1N60	Detector, AVC Output Bias Regulation

MISCELLANEOUS

ITEM No.	PART NAME	Matsushita PART No.	NOTES
M4 M5	Variable Cap Switch	PVC-2JA RSSW-B	2 Gang Band Selector

CABINETS & CABINET PARTS

(When Ordering Cabinets & Cabinet Parts, Specify Model, Chassis & Color)

NAME	PART NO.	DESCRIPTION
Dial Scale	T-41U	Specify Name
Knob	T-40T	Tuning
Knob	T-40V	Volume
Cabinet	T-41U	Specify Name

CHASSIS—TOP VIEW

