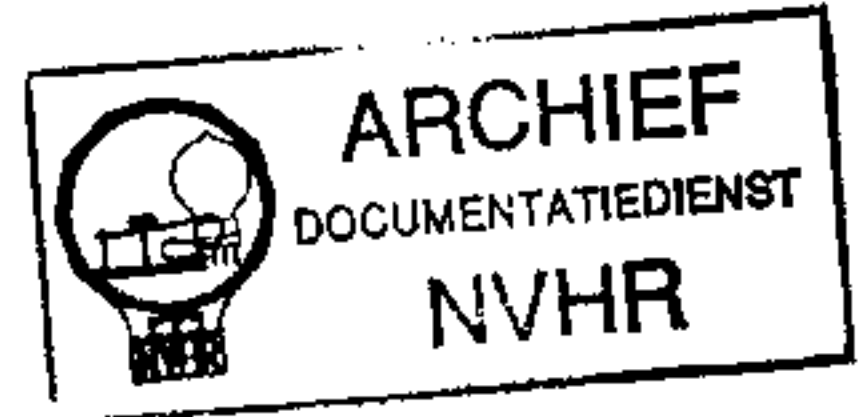


PHOTOFACT® Folder

with CIRCUITRACE®

MATSUSHITA or PANASONIC
MODEL T-41M

Ned. Ver. v. Historie v/d Radio-



TRADE NAME	Matsushita or Panasonic Model T-41M		
IMPORTER	Matsushita Electric Corp. of America, 41 E. 42nd Street, New York 17, N. Y.		
TYPE SET	Battery Operated Transistorized Portable BC-SW Receiver		
POWER SUPPLY	6 Volts DC	RATING	TMA @ 6 Volts DC (No Signal, Min. Volume) 15MA @ 6 Volts DC (Signal, Normal Volume)
TUNING RANGE—BROADCAST	540 — 1650KC	SHORT WAVE	1.6 — 4.2MC

ALIGNMENT INSTRUCTIONS

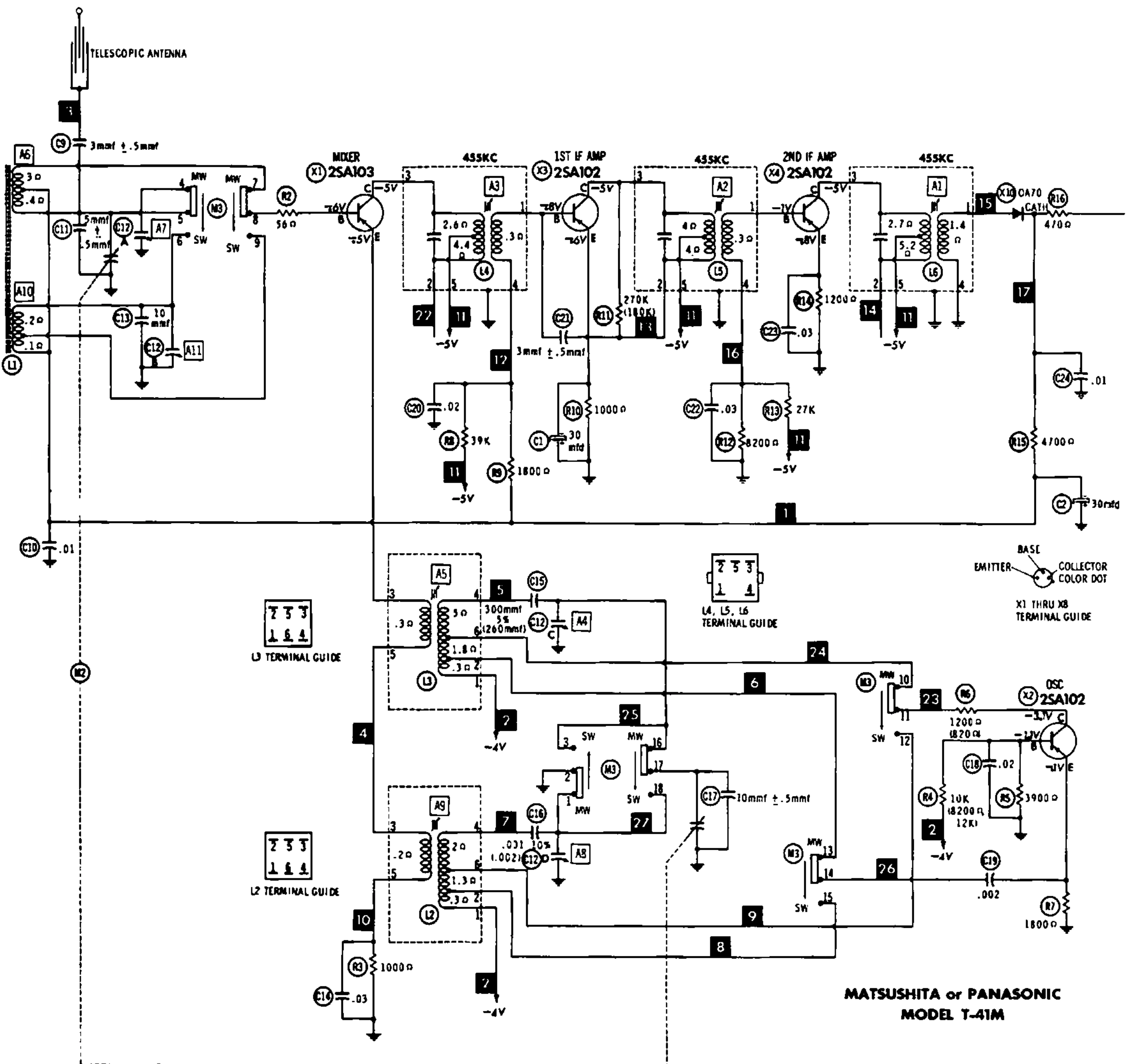
ALIGNMENT INSTRUCTIONS—READ CAREFULLY BEFORE ATTEMPTING ALIGNMENT					
Use only enough generator output to provide a usable indication. Fashion loop of several turns of wire and radiate signal into loop of receiver. Suggested Alignment Tools: A1 thru A8, All..... GENERAL CEMENT #5000, 5003, 5066, 8276, 8290, 9087, 9089 WALSCO #2512, 2525, 2528					
	SIGNAL GENERATOR FREQUENCY	RADIO DIAL SETTING	CONNECT VTVM	ADJUST	REMARKS
1.	455KC (Unmod.)	(MW) Tuning gang fully open.	Across volume control.	A1, A2, A3	Adjust for maximum deflection.
2.	1650KC	"	"	A4	"
3.	600KC	600KC Signal.	"	A5	Adjust for maximum deflection while rocking tuning gang. Repeat Steps 2 & 3.
4.	"	"	"	A6	Adjust for maximum output by moving antenna coil turns along ferrite core.
5.	1500KC	1500KC Signal.	"	A7	Adjust for maximum deflection.
6.	4.2MC	(SW) Tuning gang fully open.	Across volume control.	A8	"
7.	1.7MC	1.7MC Signal.	"	A9	Adjust for maximum deflection while rocking tuning gang. Repeat Steps 6 & 7.
8.	"	"	"	A10	Adjust for maximum output by moving antenna coil turns along ferrite core.
9.	3.8MC	3.8MC Signal.	"	All	Adjust for maximum deflection.

HOWARD W. SAMS & CO., INC. Indianapolis 6, Indiana

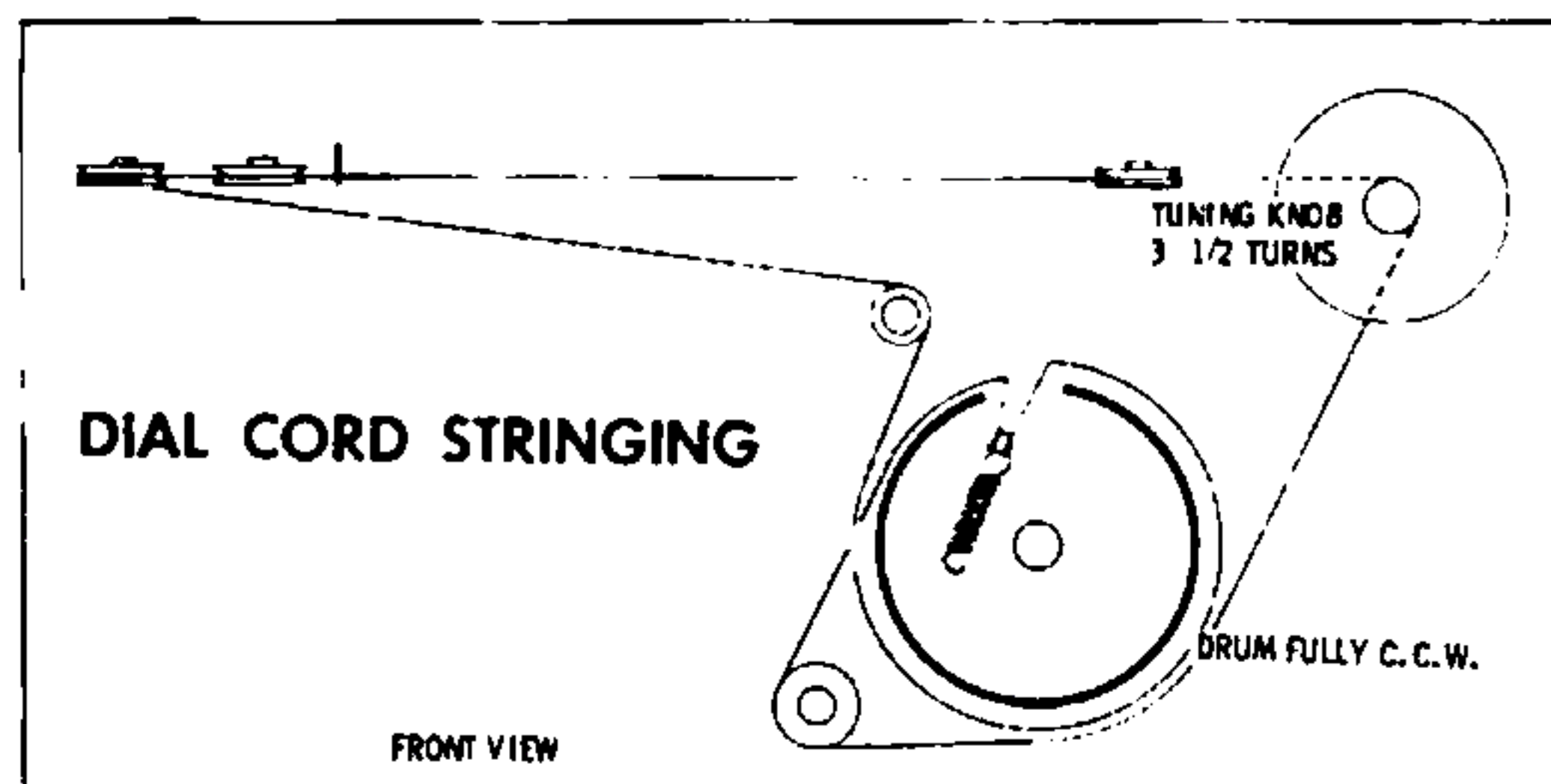


The listing of any available replacement part herein does not constitute in any case a recommendation, warranty or guaranty by Howard W. Sams & Co., Inc., as to the quality and suitability of such replacement part. The numbers of these parts have been compiled from information furnished to Howard W. Sams & Co., Inc., by the manufacturers of LF488

the particular type of replacement part listed. Reproduction or use, without express permission, of editorial or pictorial content, in any manner, is prohibited. No patent liability is assumed with respect to the use of the information contained herein. ©1962 Howard W. Sams & Co., Inc., Indianapolis 6, Indiana. Printed in U.S. of America



MATSUSHITA or PANASONIC
MODEL T-41M



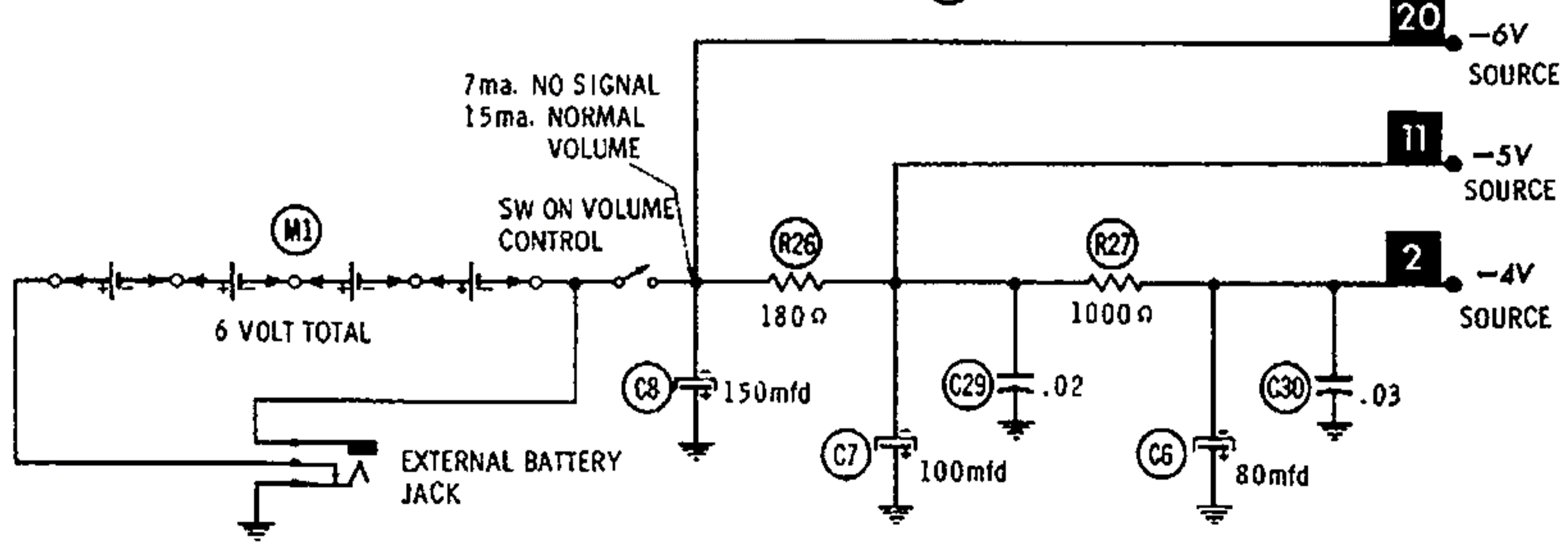
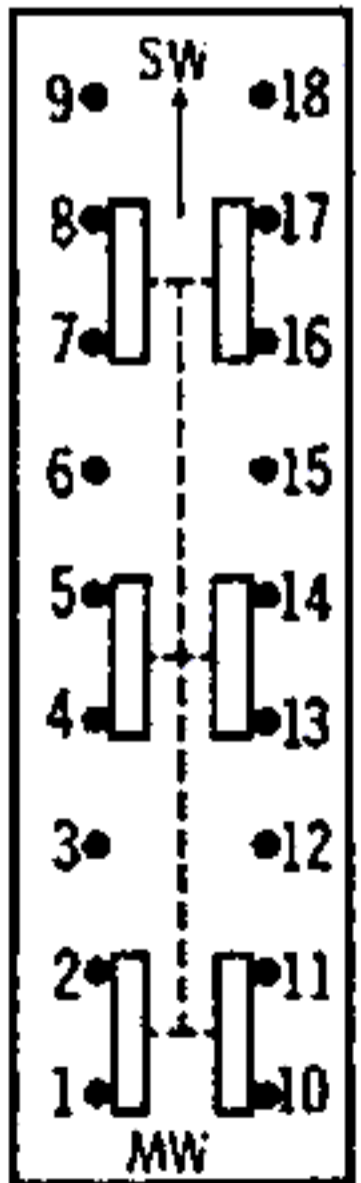
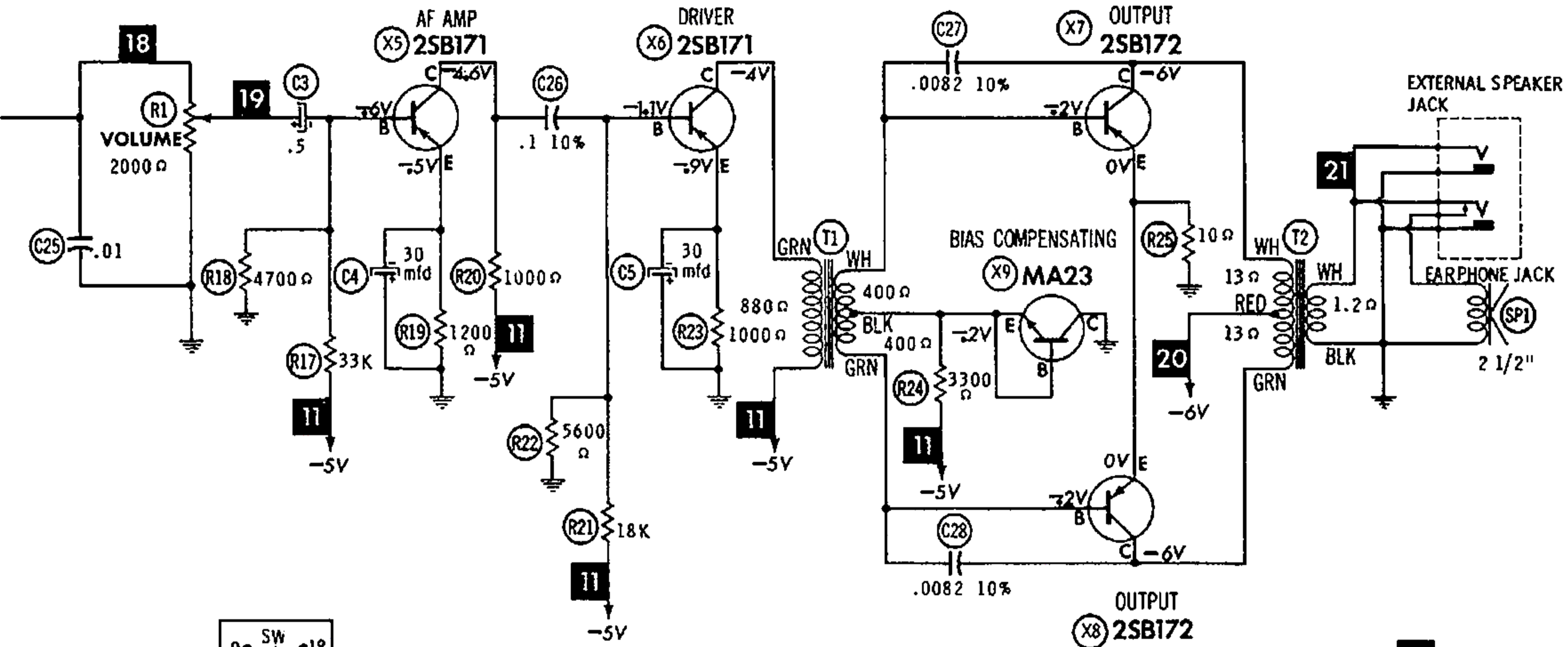
NUMBERS ASSIGNED TO COILS, SWITCHES, PLUGS, SOCKETS, AND TRANSFORMERS ARE TO FACILITATE CIRCUIT TRACING OR COMPONENT REPLACEMENT AND MAY NOT NECESSARILY BE FOUND ON THE UNIT.

RESISTANCE MEASUREMENTS NOT GIVEN BECAUSE OF THE WIDE VARIATION IN INTERNAL TRANSISTOR RESISTANCE.

SEE PARTS LIST FOR ALTERNATE VALUE OR APPLICATION

1. DC voltage measurements taken with vacuum tube voltmeter.
2. Socket connections or transistor terminals are shown as bottom views.
3. Measured values are from socket pin or terminal to common ground.
4. Nominal tolerance on component values makes possible a variation of ±1% in voltage and resistance readings.
5. Volume control at maximum, no signal applied for voltage measurements.

A PHOTOFACIT STANDARD NOTATION SCHEMATIC with **CIRCUITRACE**

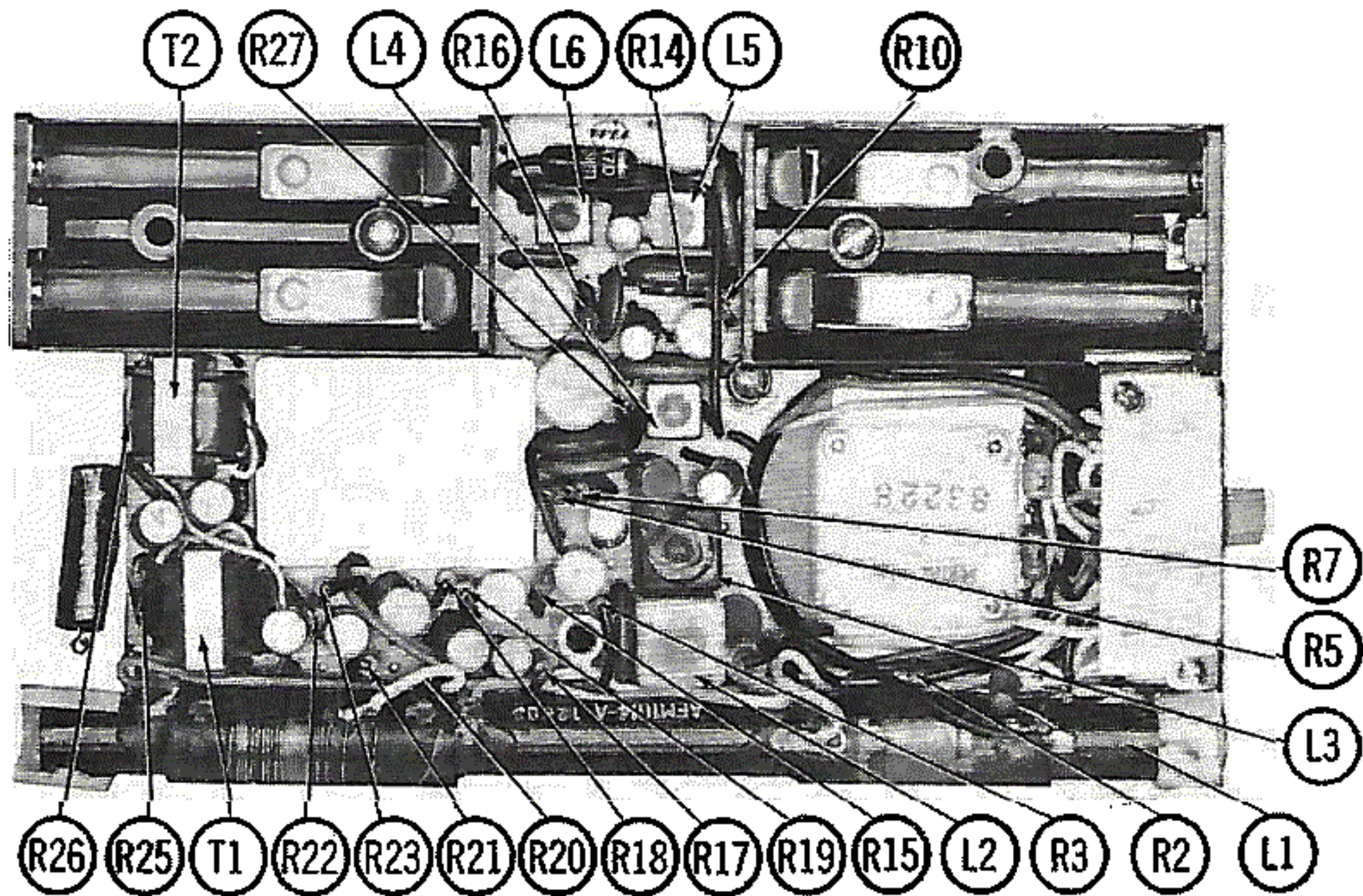


EXTERNAL SPEAKER JACK

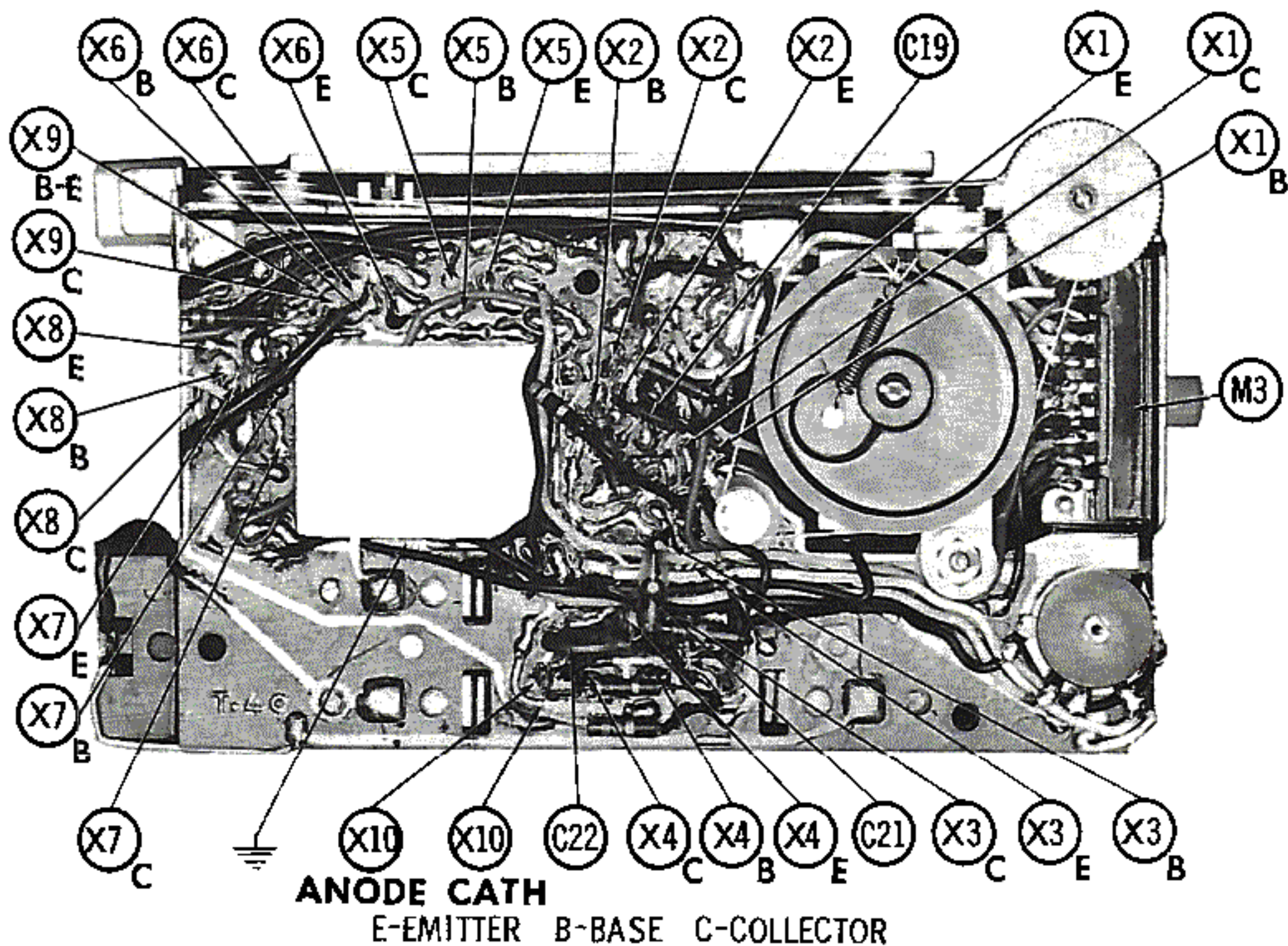
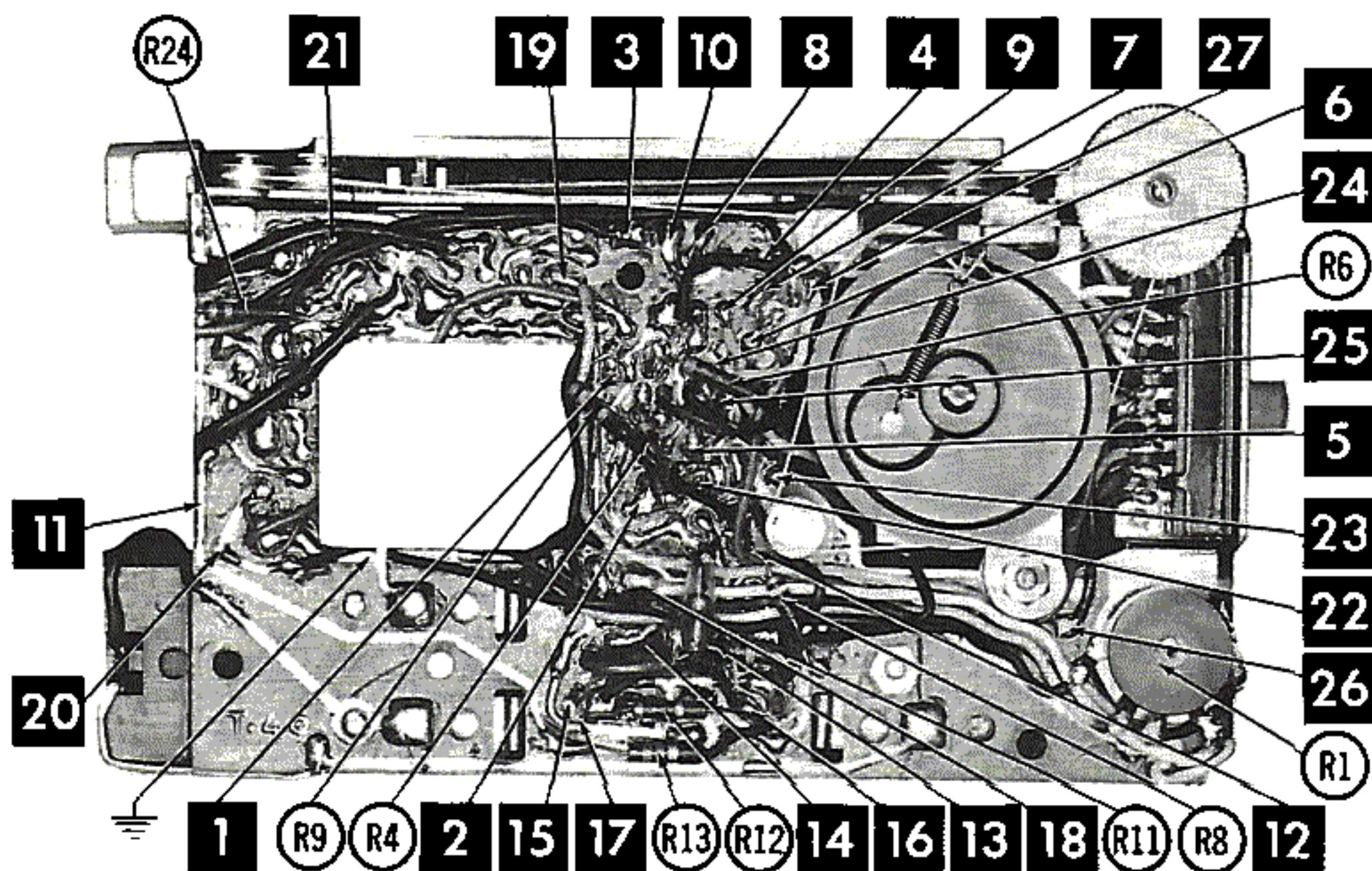
EARPHONE JACK

2 1/2"

OUTPUT (X8) 2SB172



CHASSIS TOP VIEW-RESISTOR & INDUCTOR IDENT.



WIRING DATA

General-use Unshielded Hook-up Wire	Use BELDEN No. 8530 (Solid 22AWG)	Available
	8524 (Stranded 22AWG)	in
	8570 (Stranded 26AWG)	12 Colors

TRANSISTORS

ITEM No.	ORIG. TYPE	USE	REPLACEMENT DATA		NOTES
			RCA PART No.	RAYTHEON PART No.	
X1	2SA103CA	Mixer	2N1527		PNP
X2	2SA102CA	Oscillator	2N1527		PNP
X3	2SA102BA	1st IF Amplifier	2N1525		PNP
X4	2SA102BA	2nd IF Amplifier	2N1525		PNP
X5	2SB171AN	AF Amplifier	2N406		PNP
X6	2SB171C	Driver	2N408		PNP
X7	2SB172	Output	2N408	2N360	PNP
X8	2SB172	Output	2N408	2N360	PNP
X9	MA29	Bias Compensating	1N2328		NPN

POWER RECTIFIERS & SIGNAL DIODES

ITEM No.	CURRENT RATING (Measured)	ORIGINAL Part or Type No.	RECTIFIERS		DIODES	NOTES
			RCA PART No.	SARKES TARZIAN PART No.	RAYTHEON PART No.	
X10		OA70 (X)			1N60	Detector

ELECTROLYTIC CAPACITORS

ITEM No.	RATING		REPLACEMENT DATA						
	CAP.	VOLT.	MATSUSHITA PART No.	AEROVOX PART No.	CORNELL-DUBILIER PART No.	GENERAL ELECTRIC PART No.	MALLORY PART No.	PYRAMID PART No.	SPRAGUE PART No.
C1	30	3	NPA3V30						
C2	30	3	NPA3V30						
C3	.5	10	NPA10V05				TT12X1		
C4	30	3	NPA3V30						
C5	30	3	NPA3V30						
C6	80	6	NPA6V80						

D DESCRIPTIONS

ELECTROLYTIC CAPACITORS (cont)

ITEM No.	RATING		REPLACEMENT DATA						
	CAP.	VOLT	MATSUSHITA PART No.	AEROVOX PART No.	CORNELL-DUBILIER PART No.	GENERAL ELECTRIC PART No.	MALLORY PART No.	PYRAMID PART No.	SPRAGUE PART No.
C7	100	6	NCT6V100	PTT30	NLW100-12	MT1-18	TT6X100	MLV100-6	TE-1102
C8	150	6	NPA6V150H						

FIXED CAPACITORS

ITEM No.	RATING	REMARKS	REPLACEMENT DATA												
			AEROVOX PART No.	CENTRALAB PART No.	CORNELL-DUBILIER PART No.	ELMENCO PART No.	MALLORY PART No.	SPRAGUE PART No.							
C9	3 +.5mmf	} #4RT-1B	C80V103AM	DM-103	H-05S1		TA-110	TG-S10							
C10	.01														
C11	5 +.5mmf														
C12A															
B															
C13	10	} (260) † (.002) †	C80V100AM	DF-303 DM-301	H-05S25		TA-125	TG-S30							
C14	.03														
C15	300 5%														
C16	.001 10%														
C17	10 +.5mmf														
C18	.02														
C19	.002														
C20	.02														
C21	3 +.5mmf														
C22	.03														
C23	.03	} (260) † (.002) †	C80V103AM	DM-103	H-05S1		TA-110	TG-S10							
C24	.01														
C25	.01														
C26	.1 75V 10%														
C27	.0082 50V 10%														
C28	.0082 50V 10%														
C29	.02														
C30	.03														

Matsushita Part Number.

† Alternate Value.

CONTROLS

All wattages 1/2 watt, or less, unless otherwise listed.

ITEM No.	USE	RESIST-ANCE	REPLACEMENT DATA				
			MATSUSHITA PART No.	CENTRALAB PART No.	CLAROSTAT PART No.	CTS-IRC PART No.	MALLORY PART No.
R1	Volume & Switch	2000Ω	SNV16T1.2				

PARTS LIST AND DESCRIPTIONS (Continued)

RESISTORS

All wattages 1/2 watt, or less, unless otherwise listed.

ITEM No.	RATING	REPLACEMENT DATA			ITEM No.	RATING	REPLACEMENT DATA		
		IRC PART No.	WORKMAN PART No.	REMARKS			IRC PART No.	WORKMAN PART No.	REMARKS
R2	56Ω				R15	4700Ω			
R3	1000Ω				R16	470Ω			
R4	10K			(8200Ω, 12K)*	R17	33K			
R5	3900Ω				R18	4700Ω			
R6	1200Ω			(820Ω)*	R19	1200Ω			
R7	1800Ω				R20	1000Ω			
R8	39K				R21	18K			
R9	1800Ω				R22	5600Ω			
R10	1000Ω				R23	1000Ω			
R11	270K			(180K)*	R24	3300Ω			
R12	8200Ω				R25	10Ω			
R13	27K				R26	180Ω			
R14	1200Ω				R27	1000Ω			

* Alternate Value.

COILS (RF-IF)

ITEM No.	USE	REPLACEMENT DATA					NOTES
		MATSUSHITA PART No.	Merit PART No.	Miller PART No.	Stancor PART No.	Workman PART No.	
L1	MW-SW Loopstick	AEM-1014A					
L2	SW Osc.	EOP ₁ -X					
L3	MW Osc.	AOP ₂ -K					
L4	1st IF	TI-S ₁ B					
L5	2nd IF	TI-S ₂ B	BC-569				
L6	3rd IF	TI-S ₃	BC-570				

TRANSFORMER (DRIVER)

ITEM No.	TURNS RATIO		REPLACEMENT DATA					NOTES
			MATSUSHITA PART No.	Merit PART No.	Stancor PART No.	Thordarson PART No.	Triad PART No.	
	PRI.	SEC.						
T1	1	1	TT-25L					

TRANSFORMER (AUDIO OUTPUT)

ITEM No.	IMPEDANCE		REPLACEMENT DATA					NOTES
			MATSUSHITA PART No.	Merit PART No.	Stancor PART No.	Thordarson PART No.	Triad PART No.	
	PRI.	SEC.						
T2	400Ω CT	6-8Ω	TT-28S					

SPEAKER

ITEM No.	TYPE			REPLACEMENT DATA		NOTES
				MATSUSHITA PART No.	QUAM PART No.	
	SIZE	FIELD	V. C. IMP.			
SP1	2½"	PM	6-8Ω	P-222SB		

BATTERIES

ITEM No.	VOLTAGE	MATSUSHITA PART No.	REPLACEMENT DATA						NOTES
			BURGESS		EVEREADY		MALLORY		
			"A"	"B"	"A"	"B"	"A"	"B"	
M1	1.5V			930		1015		M-15R	4 Required

MISCELLANEOUS

ITEM No.	PART NAME	MATSUSHITA PART No.	NOTES
M2	Tuning Cap	PVC-2JA	2 Gang
M3	Switch	RSSW-B	Band Selector (2 Position Slide Type)

CHASSIS—TOP VIEW

