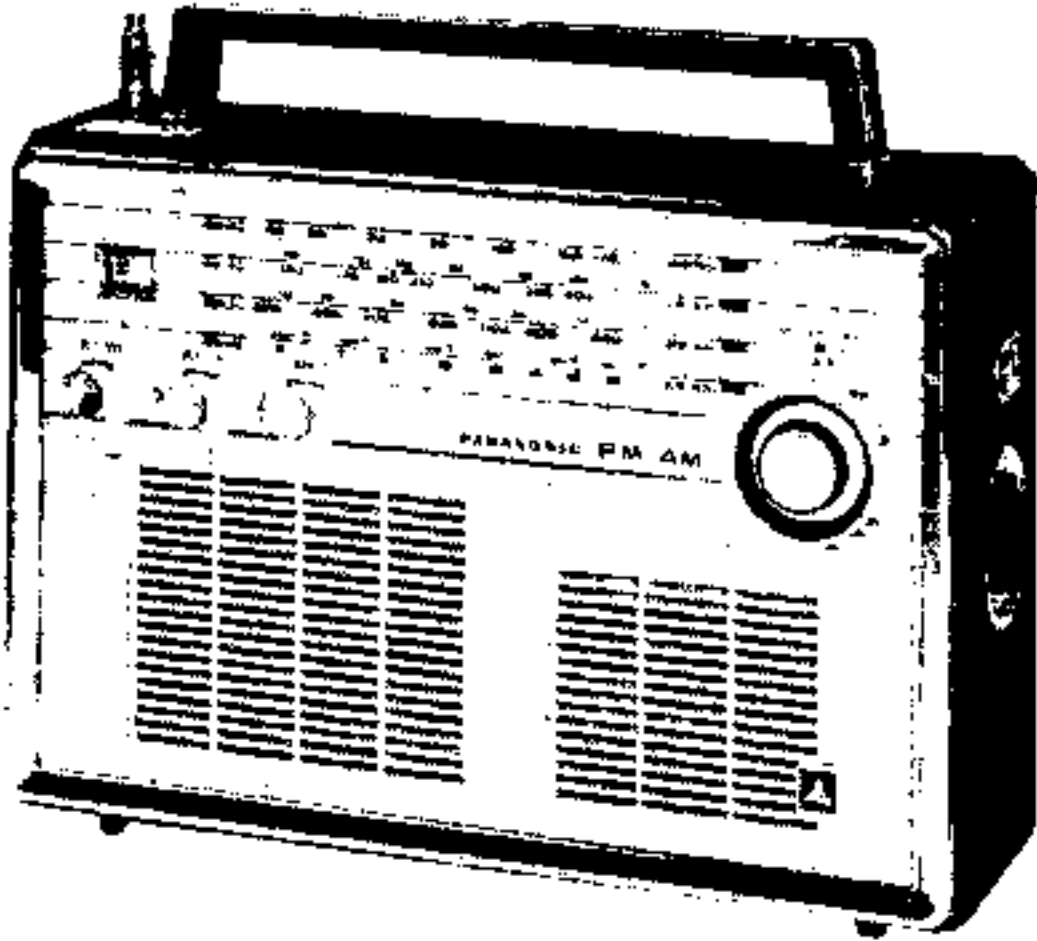




Met dank aan Jef Bos

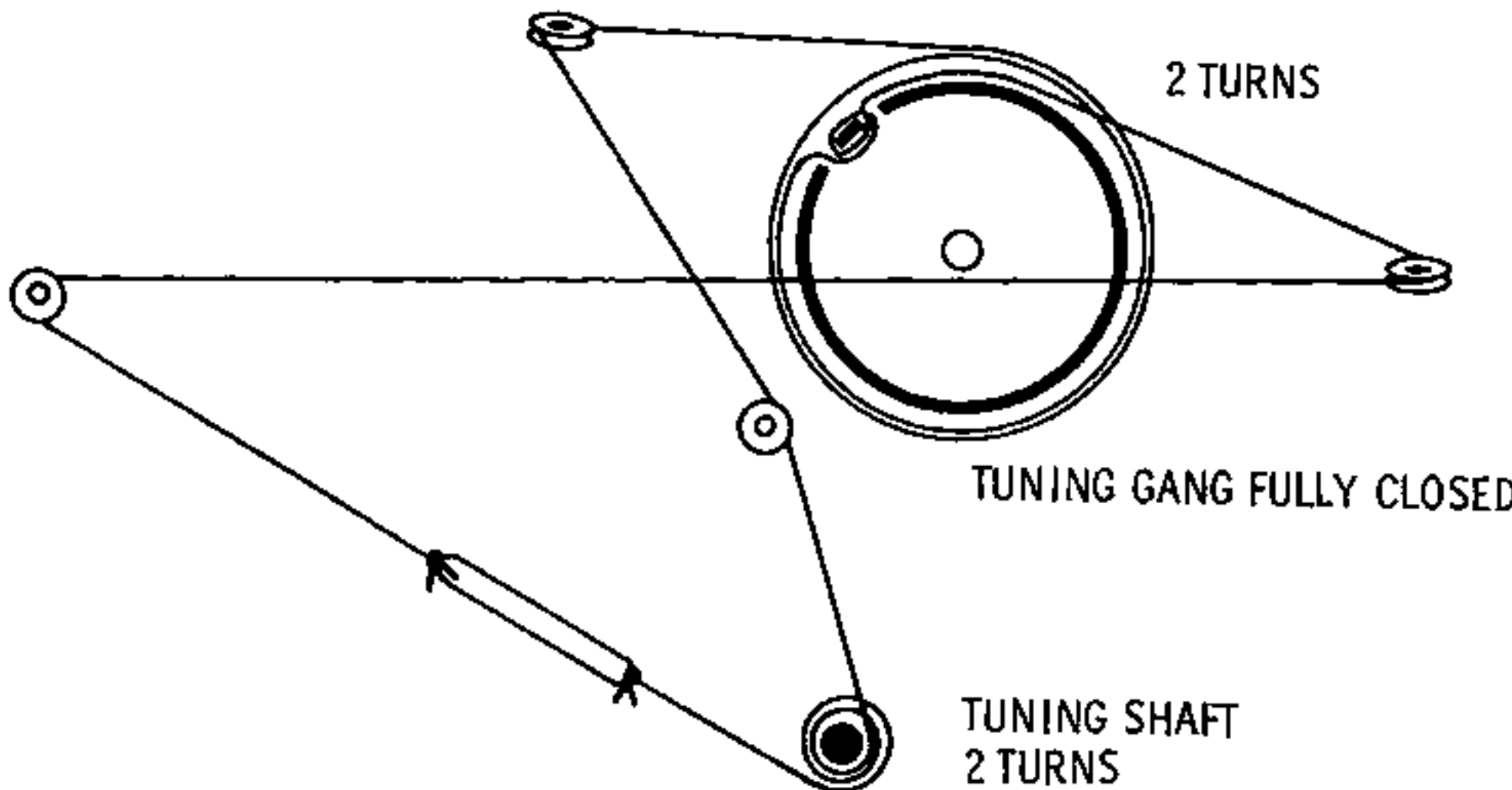
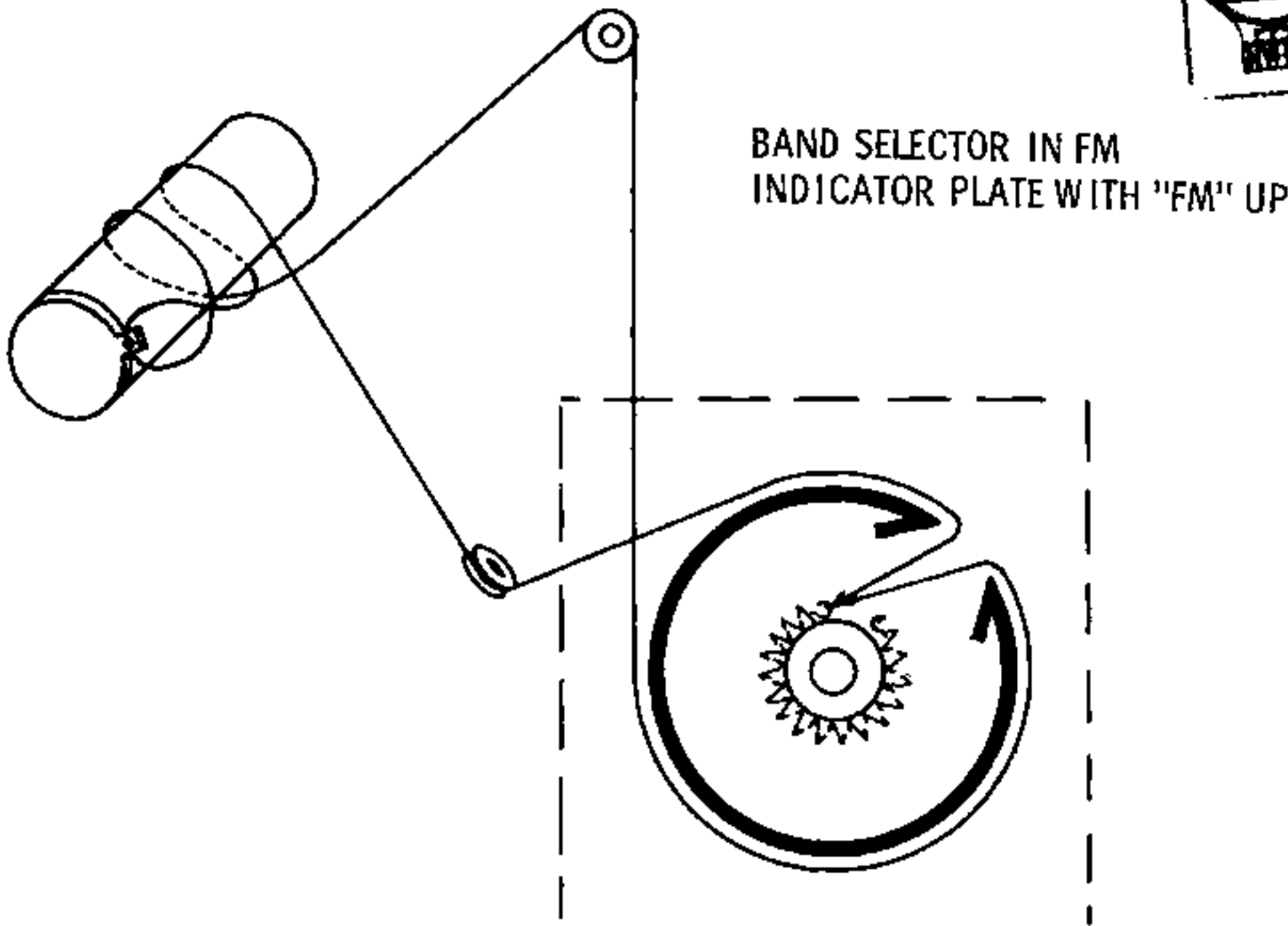
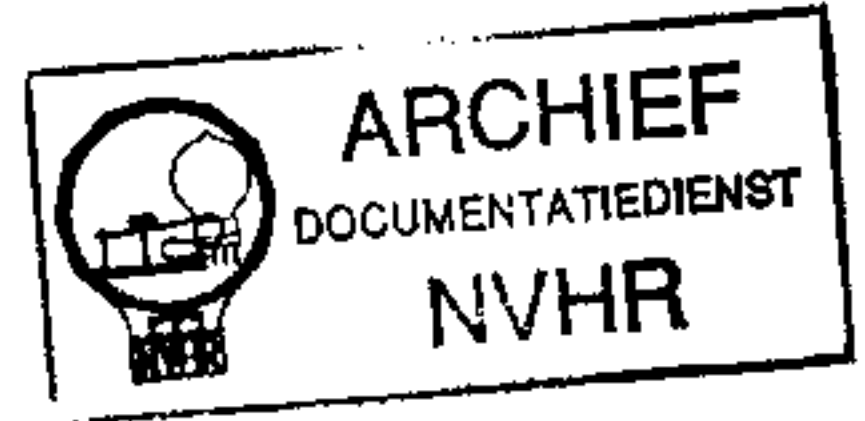
TRADE NAME : Panasonic Model T-100M
 SUPPLIER : For Current Address, see Master Index
 TYPE SET : 12-Transistor LW-AM-SW-FM Receiver
 POWER SUPPLY : 6 Volts DC (Power Supply)
 1 Volt DC (Dial Light)
 RATING : (FM) 34MA @ 6VDC (No Signal, Min. Volume)
 60MA @ 6VDC (Signal, Normal Volume)

TUNING RANGE: LONG WAVE 150 - 300KC
 BROADCAST 520 - 1600KC
 SHORT WAVE 5.9 - 18MC
 FREQ. MOD. 88 - 108MC

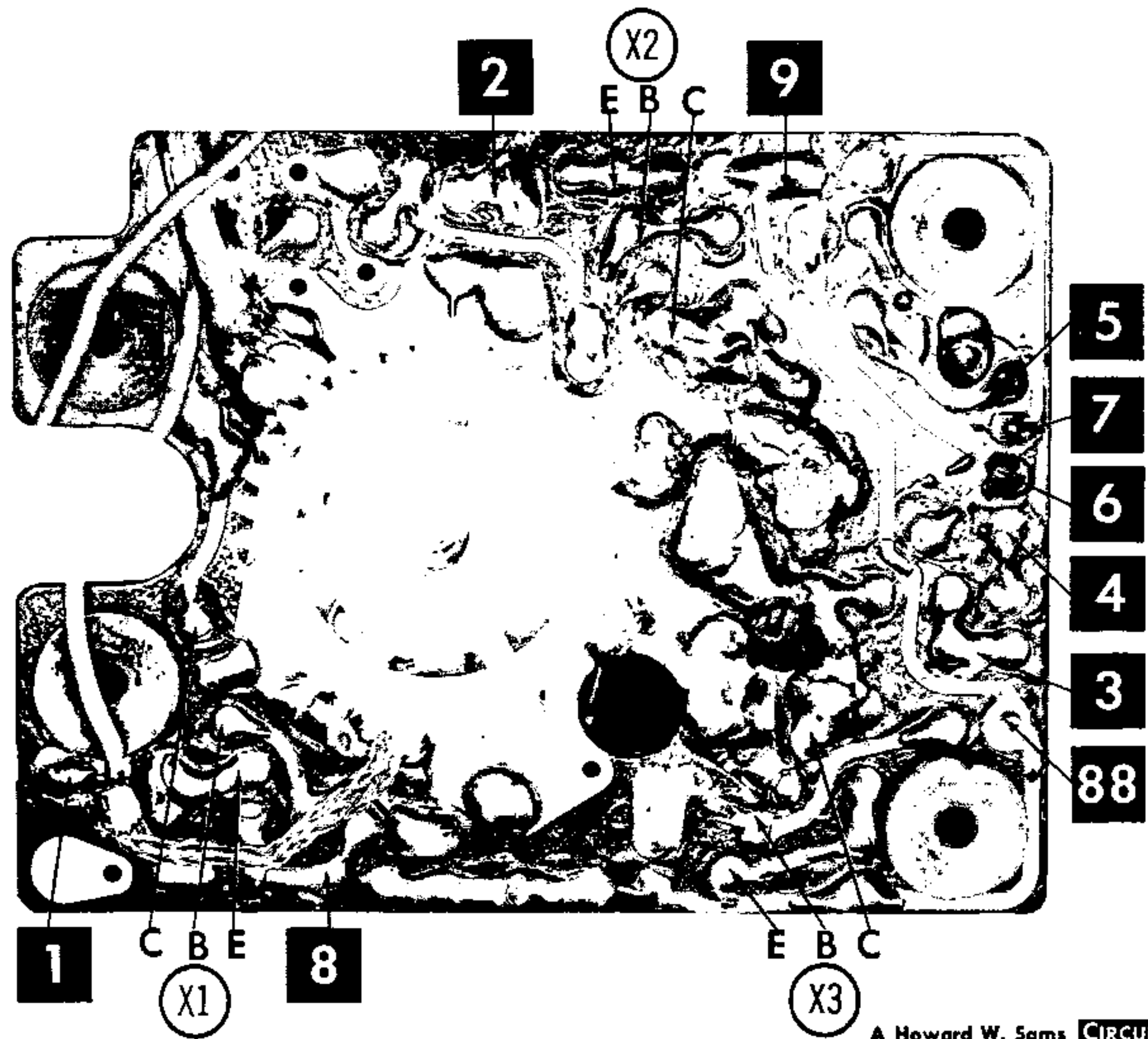
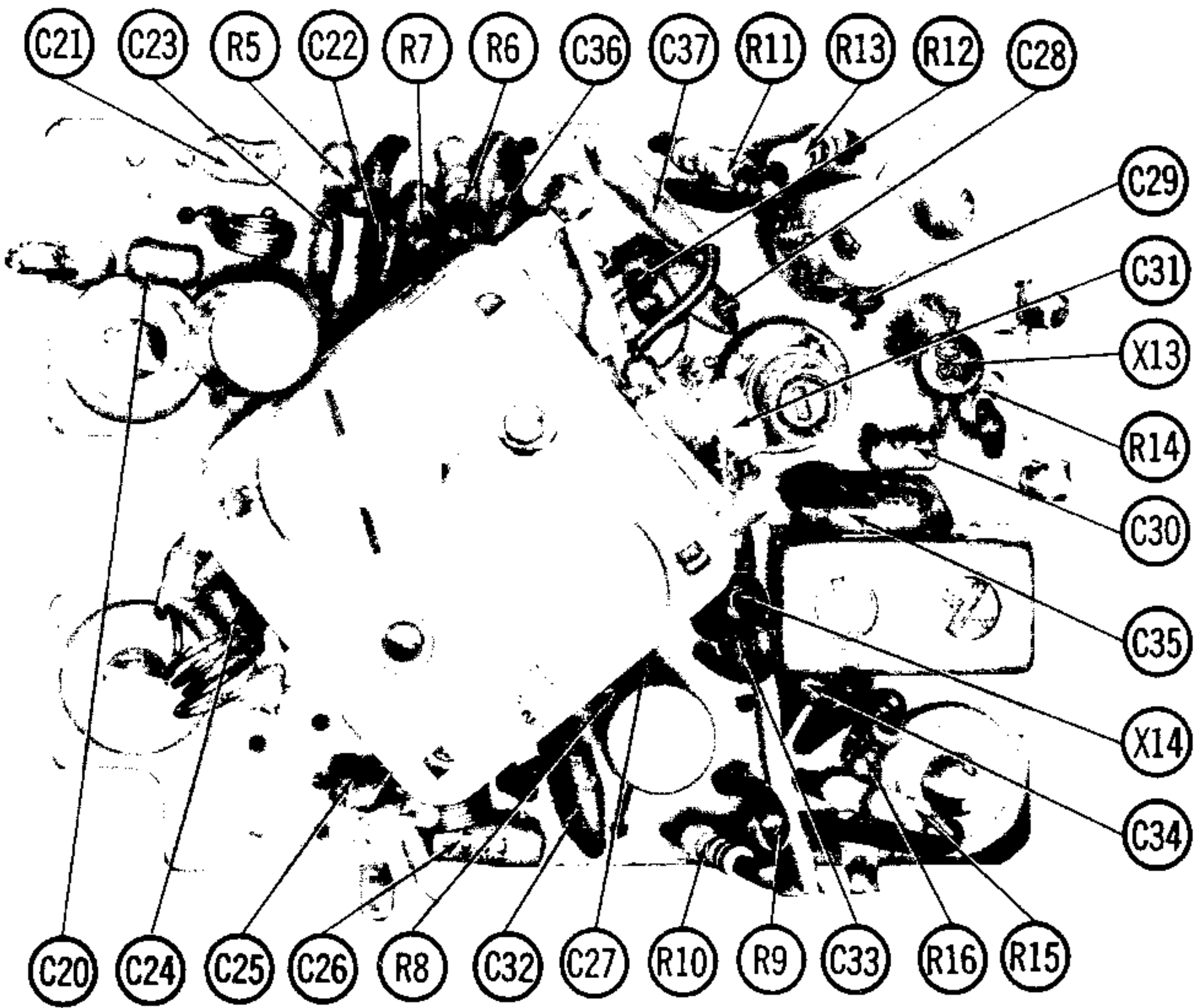


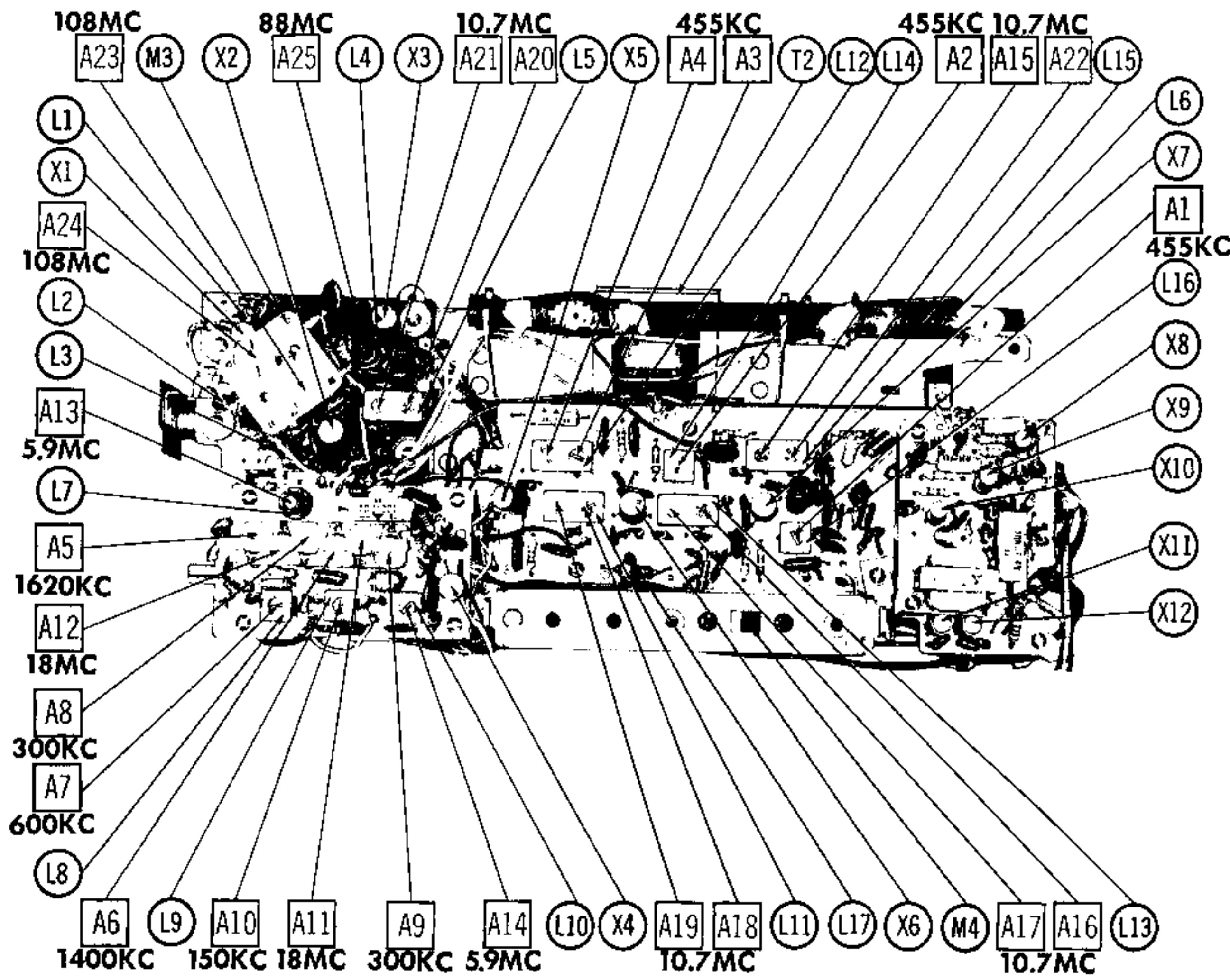
Ned. Ver. v. Historie v/d

SELECTOR CORD STRINGING



DIAL CORD STRINGING





ALIGNMENT INSTRUCTIONS

Check for specified source voltage. Set Volume control at maximum.
 Fashion loop of several turns of wire and connect generator across loop.
 Adjust output of generator to radiate only enough signal into receiver to obtain a suitable indication.

Suggested Alignment Tools:

A1 thru A4, A7, A10, A14 thru A22..... GENERAL CEMENT #9087..... WALSCO #2528
 A5, A6, A8, A9, A11, A12, A23, A24..... GENERAL CEMENT #8868, 9089... WALSCO #2541, 2587
 A13, A25..... GENERAL CEMENT #8282..... WALSCO #2526

SELECTOR IN MW

	GENERATOR FREQUENCY	DIAL SETTING	INDICATOR	ADJUST	REMARKS
1.	455KC (400v Mod.)	Tuning gang fully open.	Output Meter across Voice coil.	A1 thru A4	Adjust for maximum. Repeat until no further improvement can be made.
2.	1620KC	"	"	A5	Adjust for maximum.
3.	1400KC	Tune to signal.	"	A6	Adjust for maximum.
4.	600KC	"	"	A7	Rock tuning gang and adjust for maximum. Repeat steps 2 thru 4 until no further improvement can be made.

SELECTOR IN LW

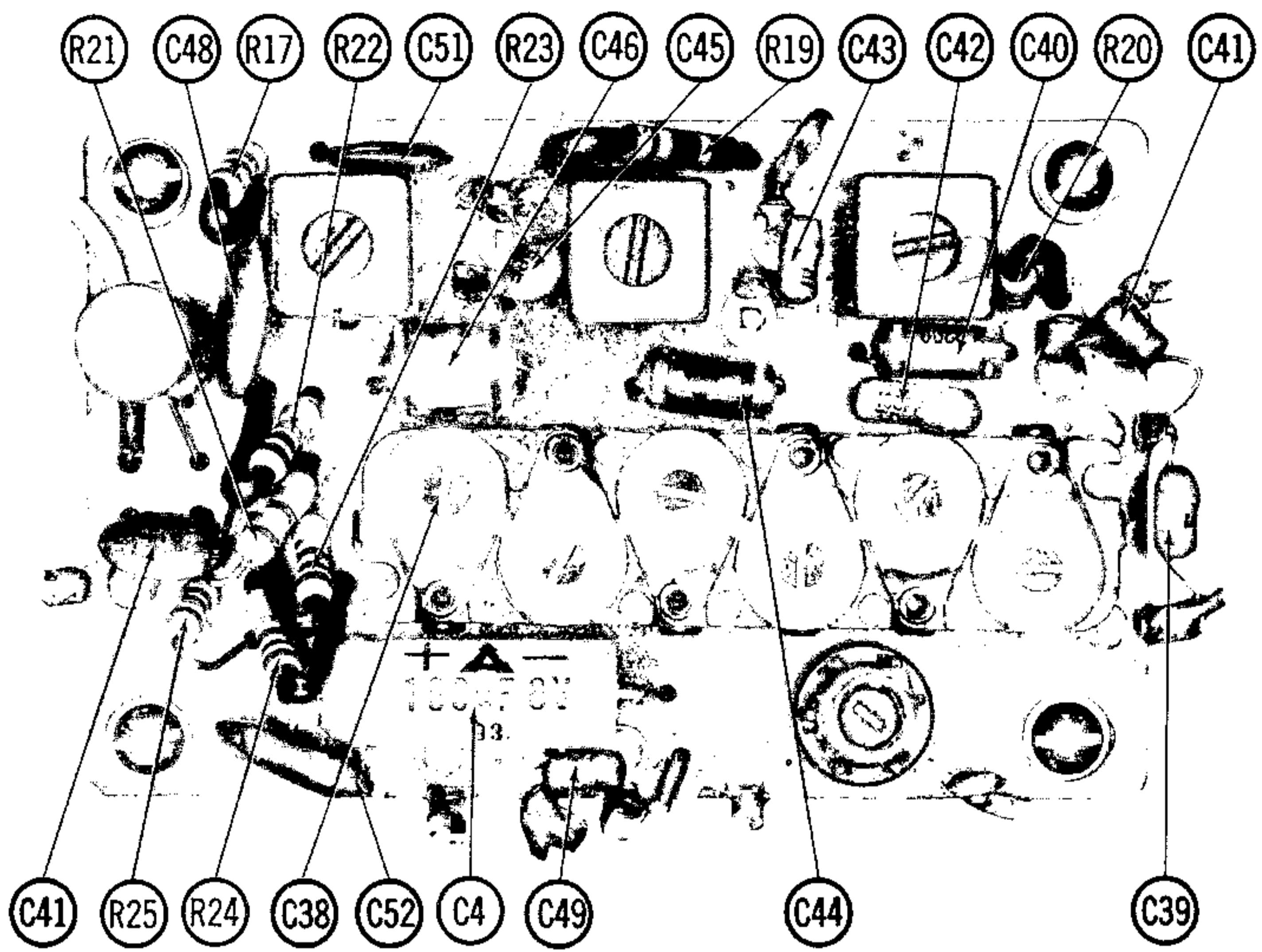
5.	300KC	Tuning gang fully open.	"	A8, A9	Adjust for maximum.
6.	150KC	Tuning gang fully closed.	"	A10	Adjust for maximum. Repeat steps 5 thru 6 until no further improvement can be made.

SELECTOR IN SW

7.	18MC	Tuning gang fully open.	"	A11, A12	Adjust for maximum.
8.	5.9MC	Tuning gang fully open.	"	A13, A14	Adjust for maximum. Repeat steps 7 & 8 until no further improvement can be made.

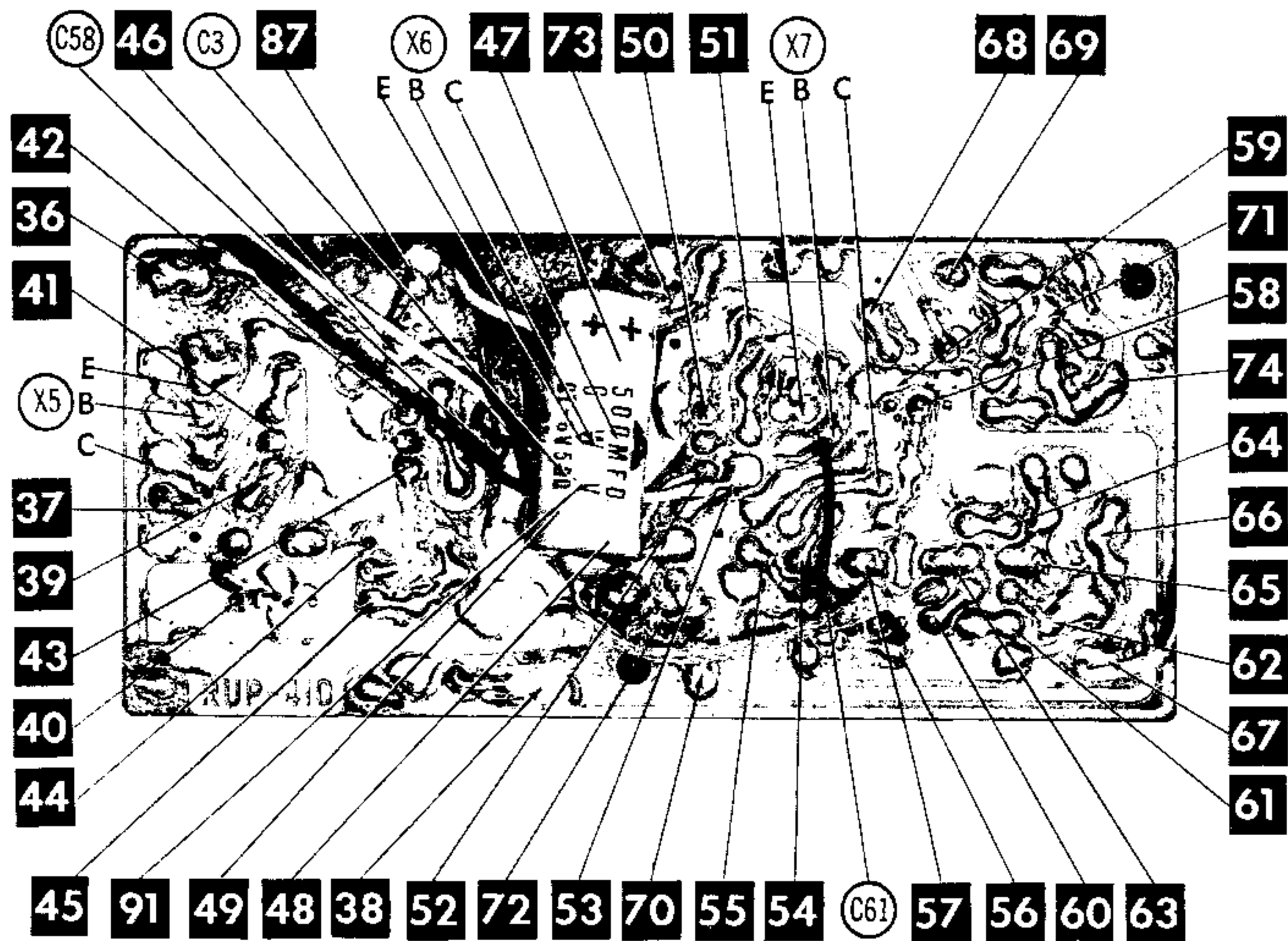
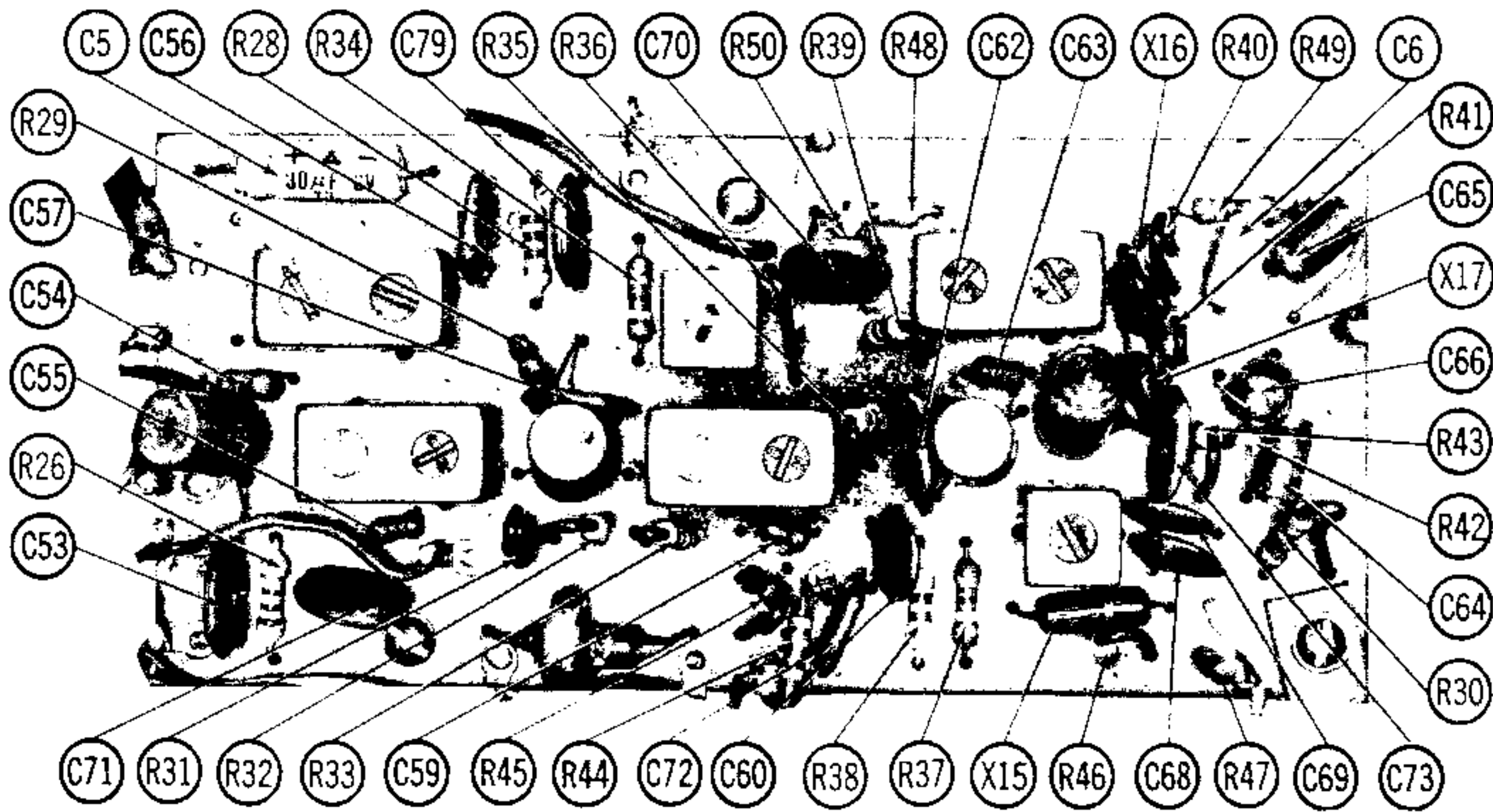
SELECTOR IN FM

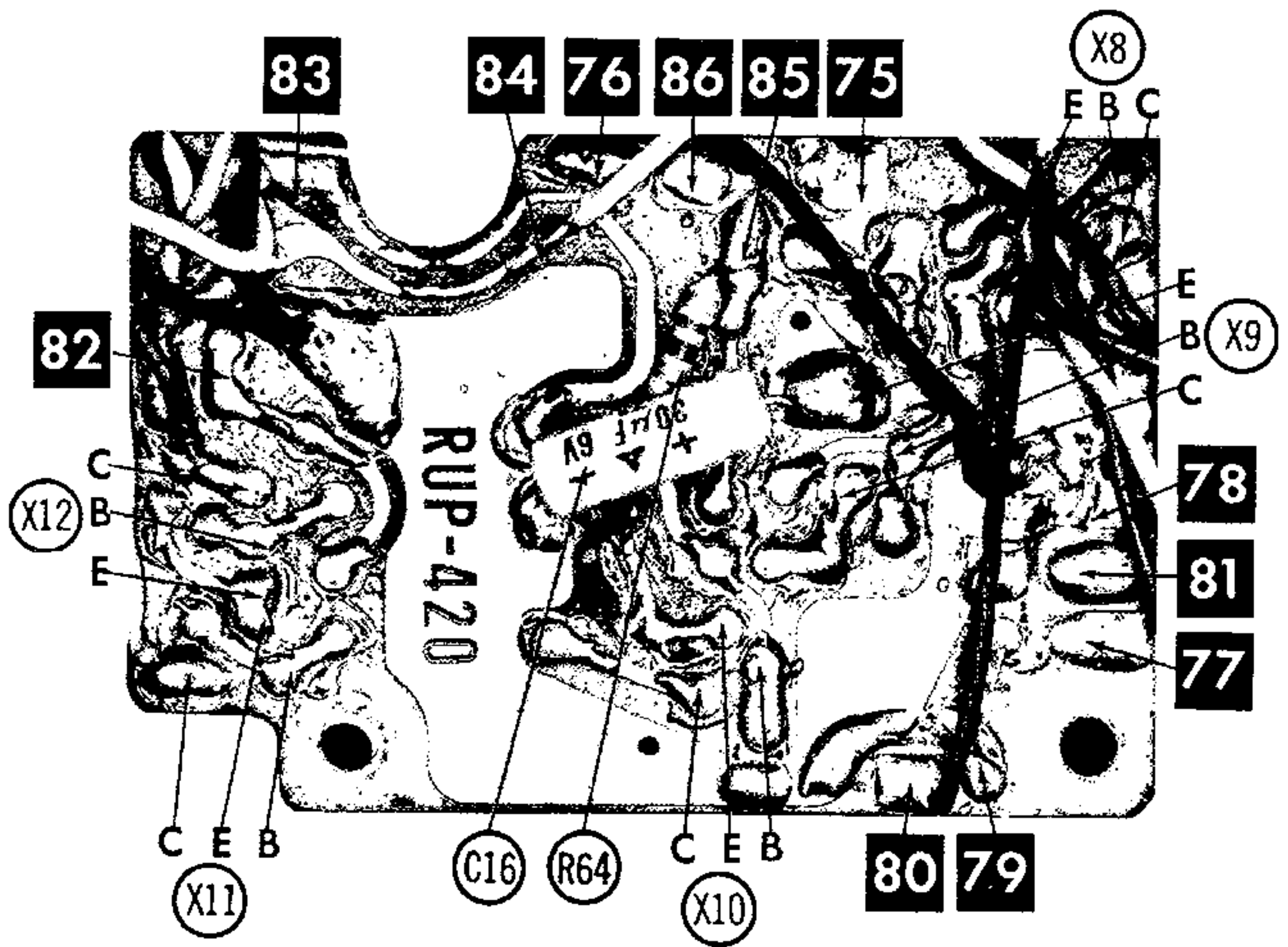
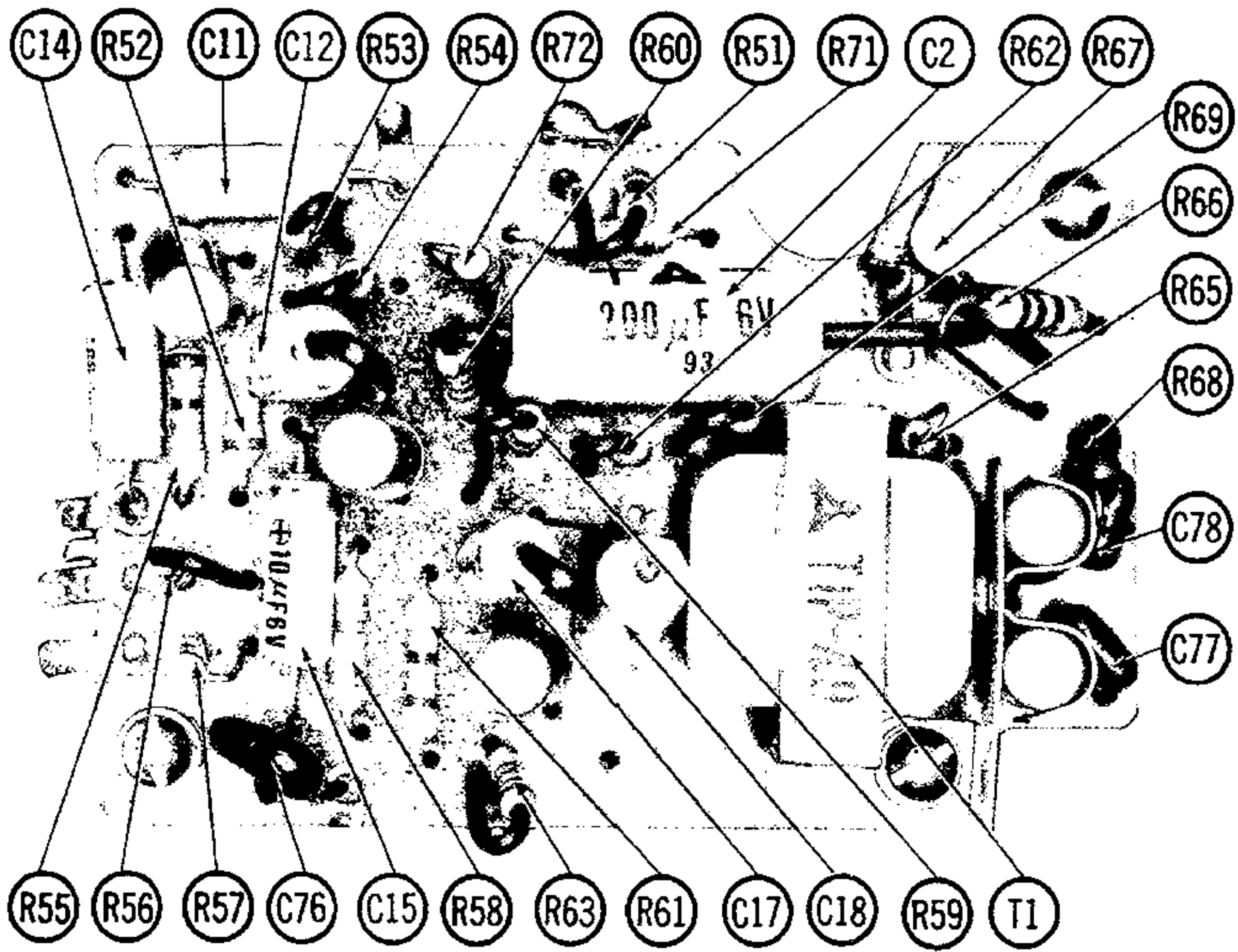
9.	10.7MC (Unmod.)	Point of non-interference.	DC probe of VTVM to point $\diamond A$, common to ground.	A15 thru A21	Adjust for maximum.
10.	10.7MC	"	DC probe to point $\diamond B$, common to ground.	A22	Adjust for zero reading. A positive or negative reading will be obtained on either side of the correct setting.
11.	108MC	High Freq. End.	DC probe to point $\diamond A$, common to ground.	A23, A24	Adjust for maximum.
12.	88MC	Low Freq. End.	"	A25	Adjust for maximum. Repeat steps 11 and 12 until no further improvement can be made.



32 31 23 21 30 25 33 20 24 28 34 16







PARTS LIST AND DESCRIPTION

TRANSISTORS

ITEM No.	ORIG. TYPE	USE	REPLACEMENT DATA			NOTES
			DELCO PART No.	GENERAL ELECTRIC PART No.	RCA PART No.	
X1	2SA71	FM RF Amp.	DS-41			PNP
X2	2SA71	FM Mixer	DS-41			PNP
X3	2SA71	FM Osc.	DS-41			PNP
X4	2SA70	AM Osc.	DS-34	GE-9		PNP
X5	2SA70	AM Mixer-1st FM IF Amp.	DS-34	GE-9		PNP
X6	2SA70	1st AM IF-2nd FM IF Amp.	DS-34	GE-9		PNP
X7	2SA70	2nd AM IF-3rd FM IF Amp.	DS-34	GE-9		PNP
X8	2SB173	1st AF Amp.	DS-26	GE-2		PNP
X9	2SB173	2nd AF Amp.	DS-26	GE-2		PNP
X10	2SB175	Driver	DS-26	GE-2		PNP
X11	2SB178	Output	DS-26	GE-2		PNP
X12	2SB178	Output	DS-26	GE-2		PNP

POWER RECTIFIERS & SIGNAL DIODES

ITEM No.	MEASURED CURRENT	ORIGINAL Part or Type No.	RECTIFIERS				DIODES
			GENERAL ELECTRIC PART No.	MALLORY PART No.	RCA PART No.	SARKES TARZIAN PART No.	GENERAL ELECTRIC PART No.
X13		SC-15					
X14		OA70					1N34AS
X15		OA70					1N34AS
X16		OA79					1N60
X17		OA79					1N60

ELECTROLYTIC CAPACITORS

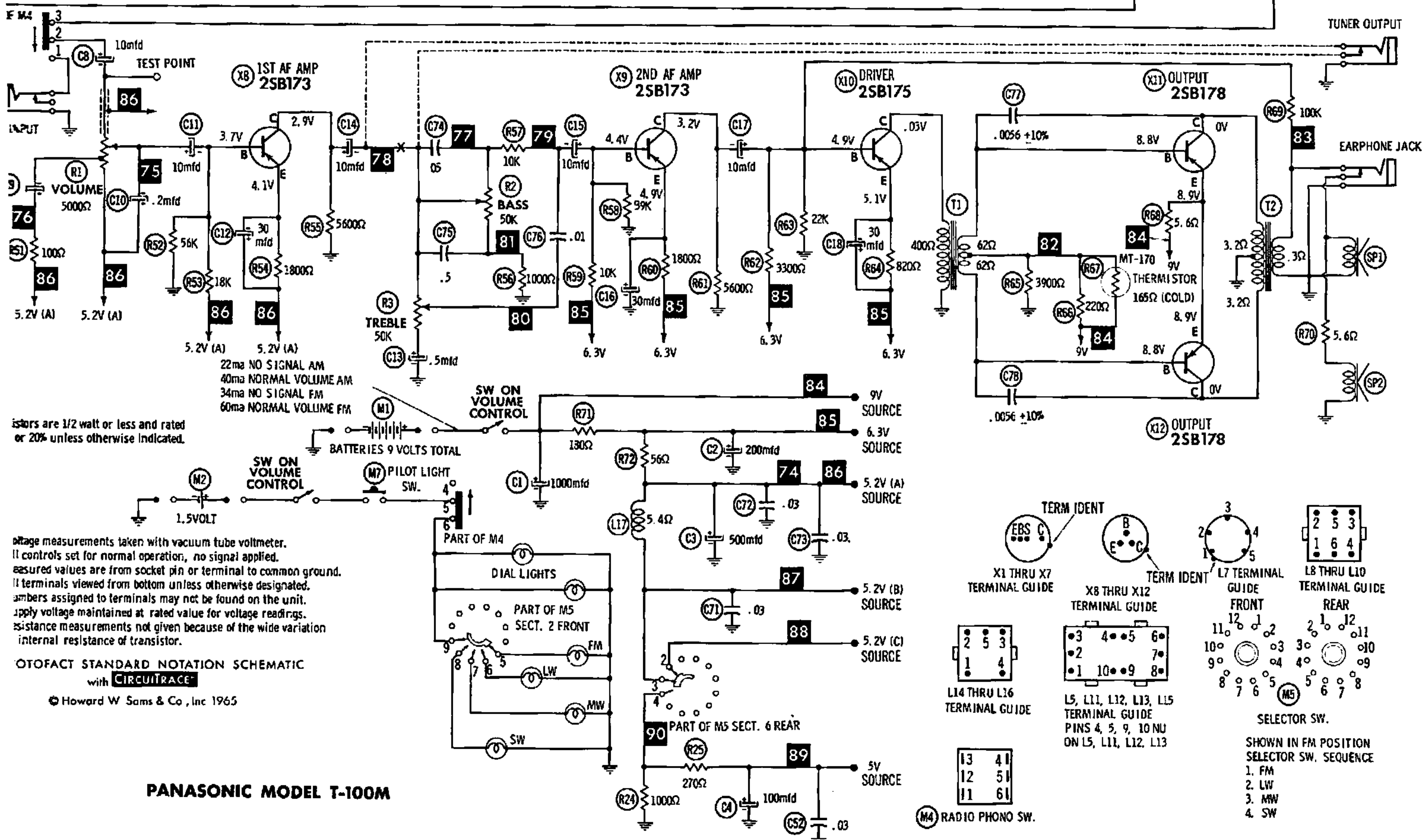
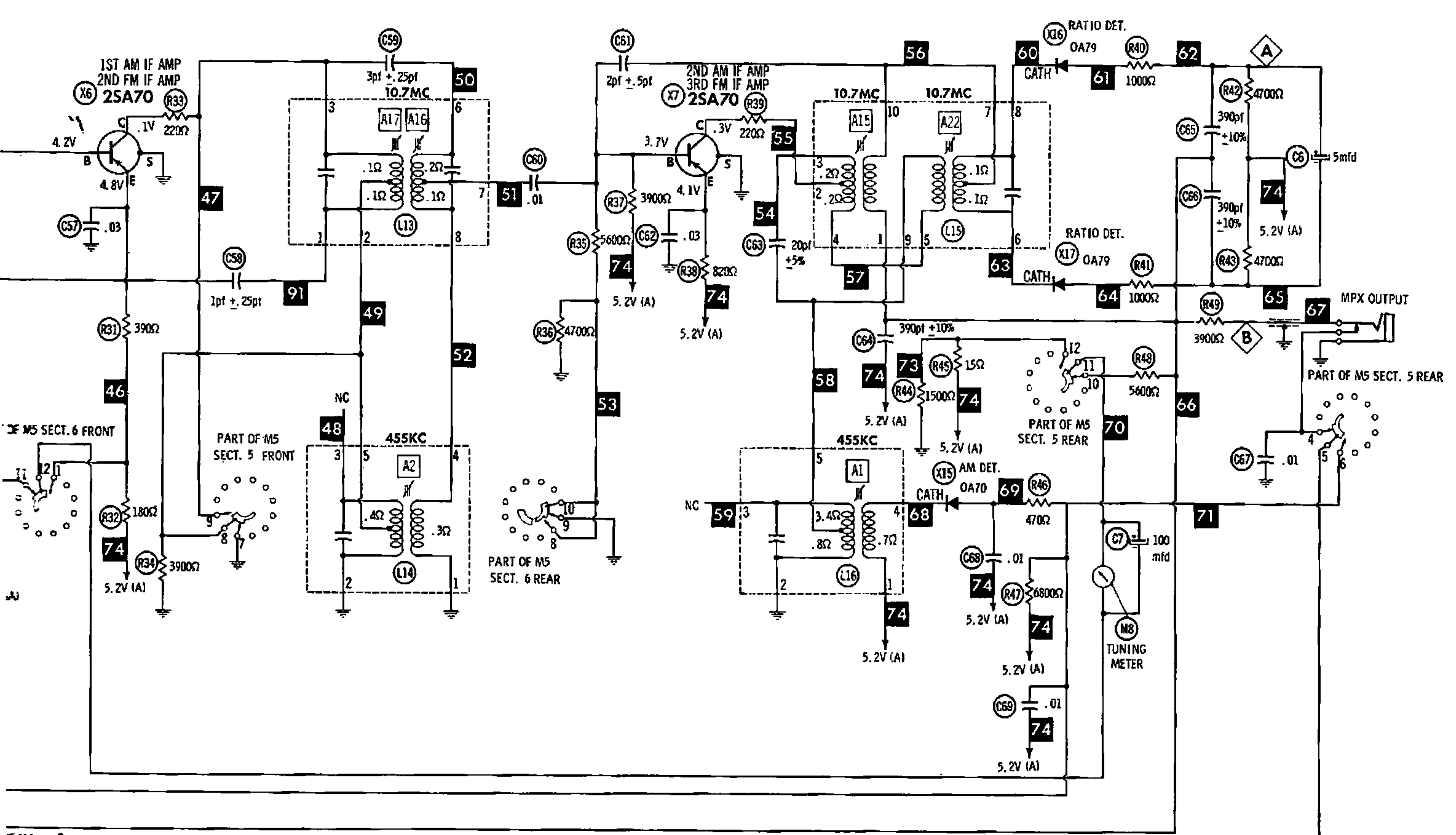
ITEM No.	RATING		REPLACEMENT DATA						
	CAP.	VOLT.	Panasonic PART No.	AEROVOX PART No.	CORNELL-DUBILIER PART No.	GENERAL ELECTRIC PART No.	GENERAL INSTRUMENT PART No.	MALLORY PART No.	SPRAGUE PART No.
C1	1000	10	CT-10V1000	PRS1180	BR1000-12	QT1-32	BL2430	TC1501	TVA-1133
C2	200	6	NCT-6V200	PTT31	BR250-6	MT1-24		TT6X200	
C3	500	6	CT-6V500	PRS1120	BR500-6		BL2221		
C4	100	6	NCT-6V100	CRE323A	NLW100-12	MT1-18	MLV100-6	TT6X100	TE-1102
C5	30	6	NCT-6V30	CRE313A	NLW30-6	MT1-13	MLV30-6	TT6X30	TE-1092
C6	5	6	NCT-6V5	CRE304A	NLW5-15	MT1-3	MLV5-6	TT6X5	TE-1084
C7	100	6	NCT-6V100	CRE323A	NLW100-12	MT1-18	MLV100-6	TT6X100	TE-1102
C8	10	6	NCA-6V10	CRE307A	NLW10-6	MT1-5	MLV10-6	TT6X10	TE-1087
C9	1	6	NCT-6V1	CRE300A	NLW1-6	MT1-1		TT12X1	TE-1080
C10	.2	25	NCT-25V0.2						
C11	10	6	NCT-6V10	PTT23	NLW10-6	MT1-5	MLV10-6	TT6X10	TE-1087
C12	30	6	NCT-6V30	CRE313A	NLW30-6	MT1-13	MLV30-6	TT6X30	TE-1092
C13	.5	10 ①		TTC250	NLW1-50				TE-1120
C14	10	6	NCT-6V10	PTT23	NLW10-6	MT1-5	MLV10-6	TT6X10	TE-1087
C15	10	6	NCT-6V10	PTT23	NLW10-6	MT1-5	MLV10-6	TT6X10	TE-1087
C16	30	6	NCT-6V30	CRE313A	NLW30-6	MT1-13	MLV30-6	TT6X30	TE-1092
C17	10	6	NCT-6V10	PTT23	NLW10-6	MT1-5	MLV10-6	TT6X10	TE-1087
C18	30	6	NCT-6V30	CRE313A	NLW30-6	MT1-13	MLV30-6	TT6X30	TE-1092

① Alternate Value .2-25V, Part #NCT-25V0.2.

FIXED CAPACITORS

ITEM No.	RATING	REMARKS	REPLACEMENT DATA					
			AEROVOX PART No.	CENTRALAB PART No.	CORNELL-DUBILIER PART No.	ELMENCO PART No.	MALLORY PART No.	SPRAGUE PART No.
C20	20 10%			DTZ-20	C10Q2C	CCTO-200	CNO422	10TCC-Q20
C21	15 10%			DTZ-15	C10Q15C	CCTO-150	CNO415	10TCC-Q15
C22	.001			DM-102				
C23	.001			DM-102				
C24	7 ± .5pf			DTZ-6R8	C10V68C	CCTO-6R8	CNO568	10TCC-V68
C25	4 ± .25pf							10TCC-V39
C26	300 10%			DM-301				
C27	2 ± .25pf			DTZ-2R2	C10V22C	CCTO-2R2	CNO522	10TCC-V22
C28	.001			DM-102				
C29	5 ± .5pf			DTZ-4R7	C10V47C	CCTO-050	CNO547	10TCC-V50
C30	10 10%			DTZ-10	C10Q1C	CCTO-100	CNO410	10TCC-Q10
C31	7 ± .5pf			DTZ-6R8	C10V68C	CCTO-6R8	CNO568	10TCC-V68
C32	.03		TTD-03	CK-303				TG-S30
C33	100 10%			DM-101				
C34	2 ± .25pf			DTZ-2R2	C10V22C	CCTO-2R2	CNO522	10TCC-V22
C35	.03		TTD-03	CK-303				TG-S30
C36	.001			DM-102				
C37	.03		TTD-03	CK-303				TG-S30
C38A								
B		#6RT-1H						
C								
D								
E								
F								
C39	5 ± .5pf			DTZ-4R7	C10V47C	CCTO-050	CNO547	10TCC-V50
C40	.0022			CPR-2200J	LA10D22-C4	CCD-222	GP222	10TS-D22
C41	20 ± 5%			DTZ-20	C10Q2C	CCTO-200	CNO422	10TCC-Q20
C42	100 10%			DM-101				

(CONTINUED ON PAGE 104)



PANASONIC MODEL T-100M

© Howard W. Sams & Co., Inc. 1965

PARTS LIST AND DESCRIPTION (CONTINUED)

FIXED CAPACITORS

ITEM No.	RATING	REMARKS	REPLACEMENT DATA					
			AEROVOX PART No.	CENTRALAB PART No.	CORNELL-DUBILIER PART No.	ELMENCO PART No.	MALLORY PART No.	SPRAGUE PART No.
C43	10 10%			DTZ-10	C10Q1C	CCTO-100	CNO410	10TCC-Q10
C44	350 5%							
C45	5		NPO-DI 5.0	DTZ-4R7	C10V47C	CCTO-050	CNO547	10TCC-V50
C46	.0039 10%			CPR-3900J		CCD-392		10TS-D39
C47	.01		TTD-01	CK-103	H2		TA110	TG-S10
C48	.03		TTD-03	CK-303				TG-S30
C49	40		SI 39	DD-390	LA10Q39-S3	CCD-390	GP439	10TS-Q39
C50	3 ± .25pf			DTZ-3R3	C10V33C	CCTO-3R3	CNO533	10TCC-V30
C51	.01		TTD-01	CK-103	H2		TA110	TG-S10
C52	.03		TTD-03	CK-303				TG-S30
C53	.03		TTD-03	CK-303				TG-S30
C54	1 ± .25pf			TCZ-1			CNO510	10TCC-V22
C55	3 ± .25pf			DTZ-3R3	C10V33C	CCTO-3R3	CNO533	10TCC-V30
C56	.03		TTD-03	CK-303				TG-S30
C57	.03		TTD-03	CK-303				TG-S30
C58	1 ± .25pf			TCZ-1			CNO510	10TCC-V10
C59	3 ± .25pf			DTZ-3R3	C10V33C	CCTO-3R3	CNO533	10TCC-V30
C60	.01		TTD-01	CK-103	H2		TA110	TG-S10
C61	2 ± .5pf			DTZ-2R2	C10V22C	CCTO-2R2	CNO522	10TCC-V22
C62	.03		TTD-03	CK-303				TG-S30
C63	20 5%			DTZ-20	C10Q2C	CCTO-200	CNO422	10TCC-Q20
C64	390 10%			CPR-390J	LA10T39-C4	CCD-391	GP339	10TS-T39
C65	390 10%			CPR-390J	LA10T39-C4	CCD-391	GP339	10TS-T39
C66	390 10%			CPR-390J	LA10T39-C4	CCD-391	GP339	10TS-T39
C67	.01		TTD-01	CK-103	H2		TA110	TG-S10
C68	.01		TTD-01	CK-103	H2		TA110	TG-S10
C69	.01		TTD-01	CK-103	H2		TA110	TG-S10
C70	.03		TTD-03	CK-303				TG-S30
C71	.03		TTD-03	CK-303				TG-S30
C72	.03		TTD-03	CK-303				TG-S30
C73	.03		TTD-03	CK-303				TG-S30
C74	.05		P288N-05	CK-503	H5		TA150	TG-S50
C75	.5		P288N-5	UK10-404	HCC10474Z			HY-330
C76	.01		BE2S1	CK-103	H2		TA110	TG-S10
C77	.0056 10%			DD-562		CCD-562		10TS-D56
C78	.0056 10%			DD-562		CCD-562		10TS-D56
C79	.03		TTD-03	CK-303				TG-S30

Panasonic Part Number.

CONTROLS

All wattages 1/2 watt, or less, unless otherwise listed.

ITEM No.	USE	RESISTANCE	REPLACEMENT DATA				
			Panasonic PART No.	CENTRALAB PART No.	CLAROSTAT PART No.	CTS-IRC PART No.	MALLORY PART No.
R1	Volume & Switch	5000Ω	SNVMT5 24CS2			B15-114X①, SK1, 76-2	
R2	Bass	50K	NV30SL40	F2-50K①, SSK110 or (B-32①)	A47-50K-Z①, KSS-3	Q13-123① or (BU1①, CF63, SS1, DC1)*	RU54A, SL36, SL3250 or (UA54A①, SL3250) or (U33①)
R3	Treble	50K	NV30SL40	F2-50K①, SSK110, or (B-32①)	A47-50K-Z①, KSS-3	Q13-123① or (BU1①, CF63, SS1, DC1)*	RU54A, SL36, SL3250 or (UA54①, SL3250) or (U33①)

① Enlarge Mtg. Hole.
* "SNAPTROL"

RESISTORS (Power and Special)

ITEM No.	RATING	REPLACEMENT DATA			ITEM No.	RATING	REPLACEMENT DATA		
		IRC PART No.	WORKMAN PART No.	REMARKS			IRC PART No.	WORKMAN PART No.	REMARKS
R67	165Ω(Cold)			#MT-170					

Panasonic Part Number.

COILS (RF-IF)

ITEM No.	USE	REPLACEMENT DATA					
		Panasonic PART No.	MEISSNER PART No.	MERIT PART No.	MILLER PART No.	STANCOR PART No.	WORKMAN PART No.
L1	FM Ant.	VQ-0.25-00					
L2	FM RF	ELQ5A-2					
L3	FM IF Trap	RFCF-0808					
L4	FM Osc.	MO06-EX-1-3					
L5	1st FM IF	TFH10D-1A					
L6	Loopstick	ELR-18B533					
L7	SW Ant.	DA06-CD-4					
L8	AM Osc.	ELL-10S1					
L9	LW Osc.	ELL-10S108					
L10	SW Osc.	ELL-10S101					
L11	2nd FM IF	TFH10D-1B					
L12	1st AM IF	TRH10D-7A					
L13	3rd FM IF	TFH10D-1C					
L14	2nd AM IF	TRH10-32B		BC-575	2067	RTC-9267	
L15	Ratio Detector	TFH10D-3D					
L16	3rd AM IF	TRH10-1D	16-9017	BC-576	2068	RTC-9268	
L17	RF Choke	LQ-121-999W	19-3125	TV-195	72F124AP	RTC-8585	

PARTS LIST AND DESCRIPTION (CONTINUED)

TRANSFORMER (DRIVER)

ITEM No.	TURNS RATIO		REPLACEMENT DATA					NOTES
			Panasonic PART No.	MERIT PART No.	STANCOR PART No.	THORDARSON PART No.	TRIAD PART No.	
	PRI.	SEC.						
T1	5	1	TIP-49					

TRANSFORMER (AUDIO OUTPUT)

ITEM No.	IMPEDANCE		REPLACEMENT DATA					NOTES
			Panasonic PART No.	MERIT PART No.	STANCOR PART No.	THORDARSON PART No.	TRIAD PART No.	
	PRI.	SEC.						
T2	32Ω	8Ω	TC-92M					

SPEAKER

ITEM No.	TYPE	REPLACEMENT DATA		NOTES
		Panasonic PART No.	QUAM PART No.	
SP1	5" PM 6-8Ω	P-516RCM	5A15Z8	
SP2	3 1/2" PM 6-8Ω	P-336S	3A07RZ8	

BATTERIES

ITEM No.	VOLTAGE	Panasonic PART No.	REPLACEMENT DATA			NOTES
			BURGESS	EVEREADY	MALLORY	
M1	9V		230 or AL2	1050 or E95	M13R or Mn1300	6 Required
M2	1.5V		230 or AL2	1050 or E95	M13R or Mn1300	

MISCELLANEOUS

ITEM No.	PART NAME	Panasonic PART No.	NOTES
M3	Tuning Cap.	PVC-22R30T	
M4	Switch-Function	RSS-14	
M5	Switch-Band Sel.	ESR-C6H4L29AE	
M6	Switch-AFC	RSS-7	
M7	Switch-Dial Light	RSH-6	
M8	Tuning Meter	F-102B2E	

CABINETS & CABINET PARTS

(When Ordering Specify Model, Chassis & Color)

ITEM	PART No.	ITEM	PART No.
Cabinet - Complete	RYA-130	Knob - Volume, Bass, Treble	RBN-39
Cabinet Front	RYM-120	Knob-AFC	RBN-40
Cabinet Back	RYF-60	Knob-Band Selector	RBS-7-3
Battery Back Cover	RYN-50	Whip Antenna	R. ANT145-7T
Knob, - Tuning	RBN-41		

WIRING DATA

General-use Unshielded Hook-up Wire	Use BELDEN No. 8530 (Solid 22AWG)	Available
	8524 (Stranded 22AWG)	in
	8570 (Stranded 26AWG)	12 Colors