

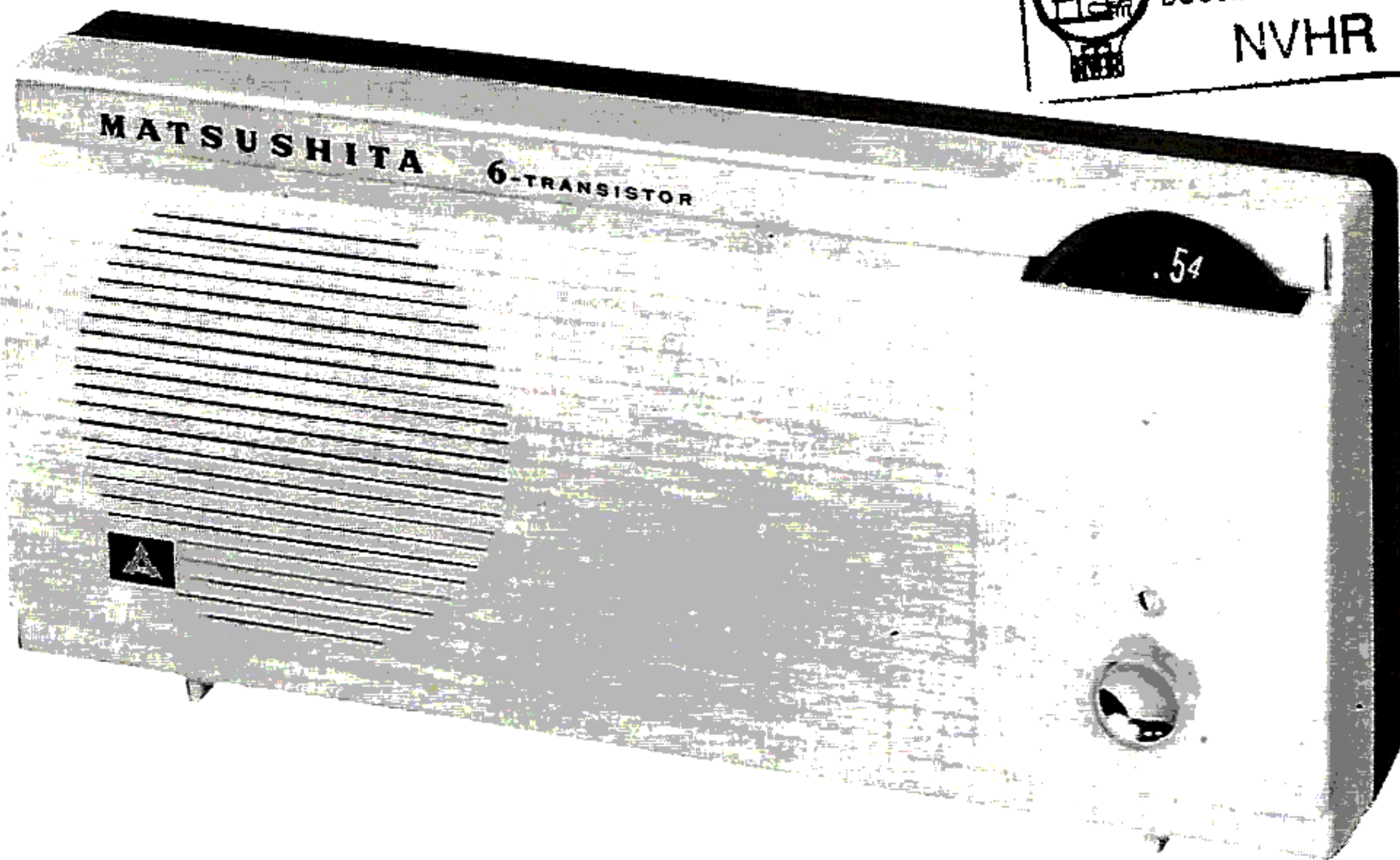
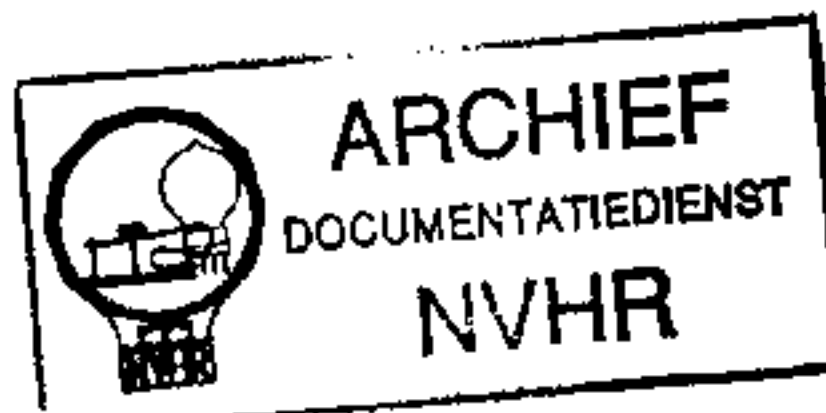
PHOTOFACT® Folder

with CIRCUITRACE®

MATSUSHITA or PANASONIC
MODEL DT-495

Ned. Ver. v. Historie v/d Radio

Met dank aan Jef Bos



TRADE NAME	Matsushita or Panasonic Model DT-495		
IMPORTER	Matsushita Electric Corp. of America, 41 E. 42nd Street, New York 17, N. Y.		
TYPE SET	Battery Operated Transistorized Portable AM Receiver		
POWER SUPPLY	6 Volts DC	RATING	8MA @ 6 Volts DC (No Signal, Min. Volume)
TUNING RANGE—BROADCAST	540 — 1600KC		20MA @ 6 Volts DC (Signal, Normal Volume)

ALIGNMENT INSTRUCTIONS

ALIGNMENT INSTRUCTIONS—READ CAREFULLY BEFORE ATTEMPTING ALIGNMENT

Volume control should be at maximum position. Output of signal generator should be no higher than necessary to obtain an output reading.

Suggested Alignment Tools:

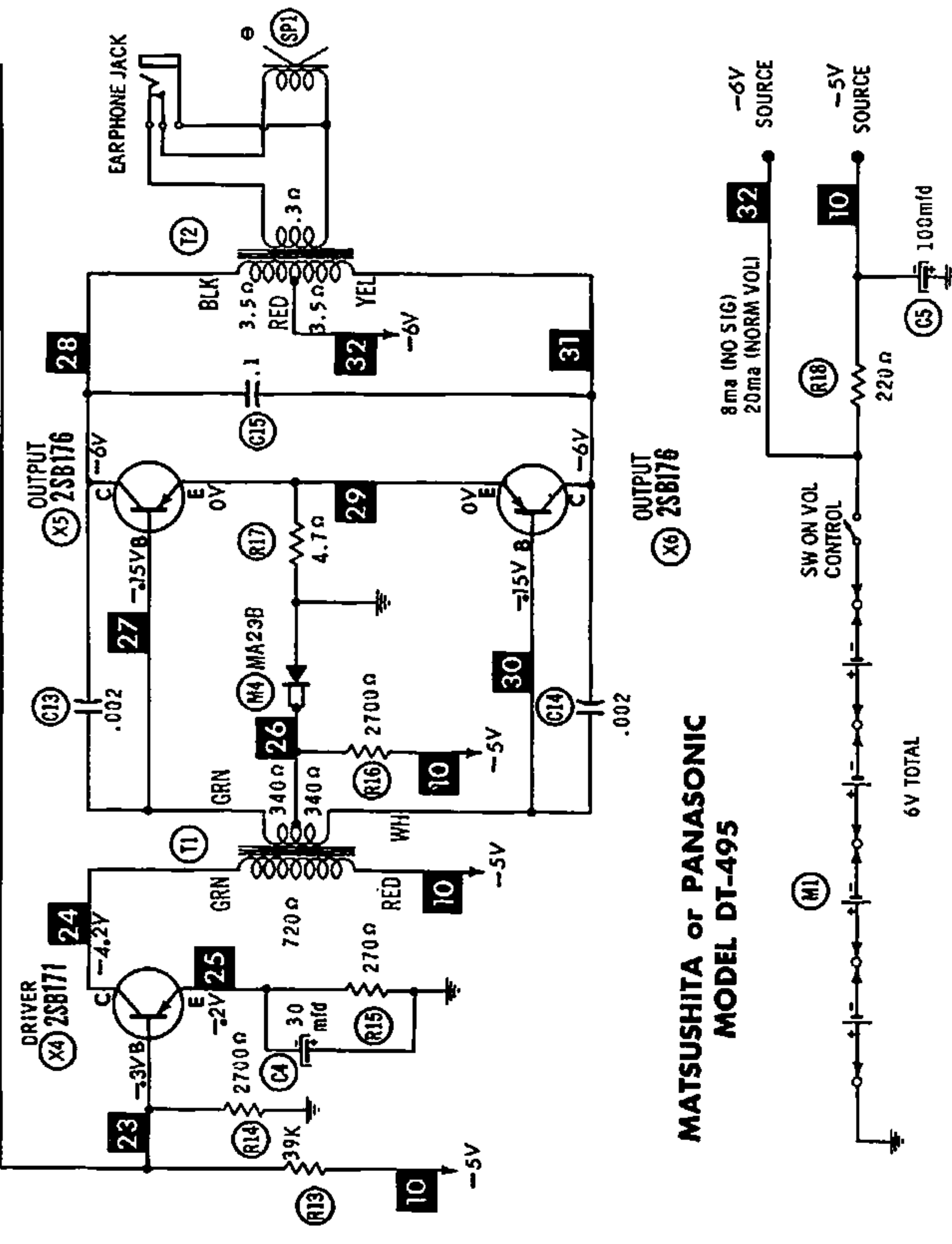
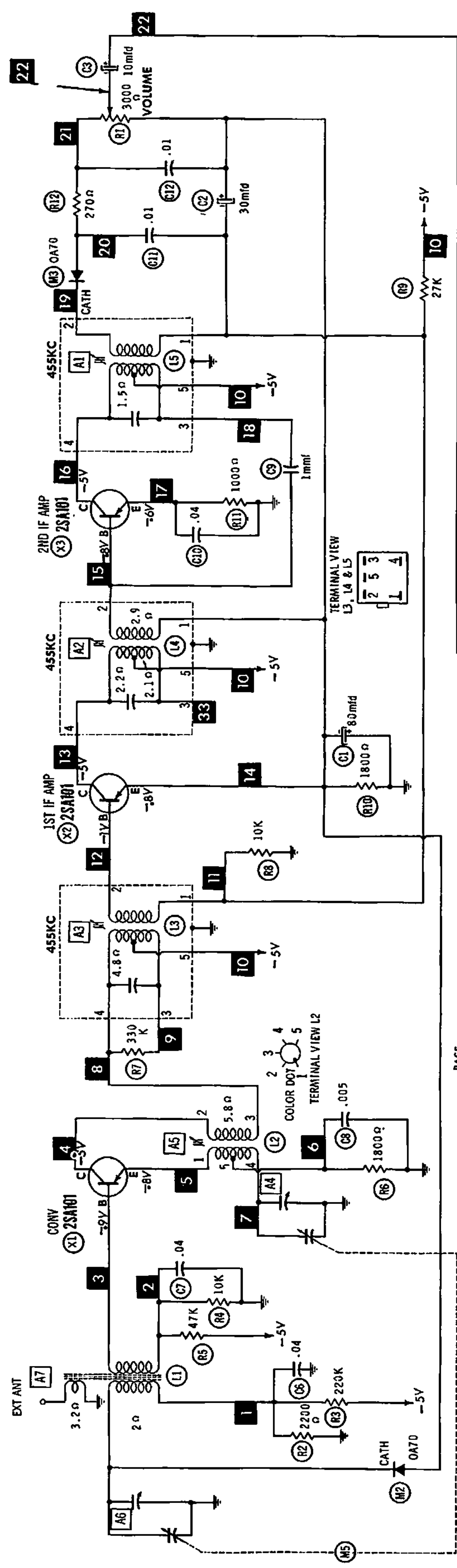
- A1, A2, A3.....GENERAL CEMENT #5009, 8195, 8274, 8275, 8728, 8729, 8987, 8988, 8989
WALSCO #2515, 2531, 2532
- A4, A6.....GENERAL CEMENT #5004, 5009, 8195, 8274, 8275, 8607, 8728, 8987, 8988, 8989, 9291
WALSCO #2515, 2520, 2522, 2523, 2531, 2532, 2534, 2537, 2538
- A5.....GENERAL CEMENT #8721, 8722
WALSCO #2519

	SIGNAL GENERATOR COUPLING	SIGNAL GENERATOR FREQUENCY	RADIO DIAL SETTING	OUTPUT METER	ADJUST	REMARKS
1.	Fashion loop of several turns of wire and radiate signal into loop of receiver.	455KC (400% Mod.)	Tuning gang fully open.	Across voice coll.	A1, A2, A3	Adjust for maximum output.
2.	"	1600KC	1600KC	"	A4	"
3.	"	600KC	600KC	"	A5	"
4.	"	1400KC	1400KC Signal.	"	A6	"
5.	"	600KC	600KC Signal.	"	A7	Adjust for maximum output by moving coil turns along ferrite core. Repeat Steps 2 thru 5.

HOWARD W. SAMS & CO., INC. Indianapolis 6, Indiana

The listing of any available replacement part herein does not constitute in any case a recommendation, warranty or guaranty by Howard W. Sams & Co., Inc., as to the quality and suitability of such replacement part. The numbers of these parts have been compiled from information furnished to Howard W. Sams & Co., Inc., by the manufacturers of LG122

the particular type of replacement part listed. Reproduction or use, without express permission, of editorial or pictorial content, in any manner, is prohibited. No patent liability is assumed with respect to the use of the information contained herein. ©1962 Howard W. Sams & Co., Inc., Indianapolis 6, Indiana. Printed in U.S. of America



**MATSUSHITA or PANASONIC
MODEL DT-495**

RESISTANCE MEASUREMENTS NOT GIVEN BECAUSE OF THE WIDE VARIATION IN INTERNAL TRANSISTOR RESISTANCE.

NUMBERS ASSIGNED TO COILS, SWITCHES, PLUGS, SOCKETS, AND TRANSFORMERS ARE TO FACILITATE CIRCUIT TRACING OR COMPONENT REPLACEMENT AND MAY NOT NECESSARILY BE FOUND ON THE UNIT.

SEE PARTS LIST FOR ALTERNATE VALUE OR APPLICATION

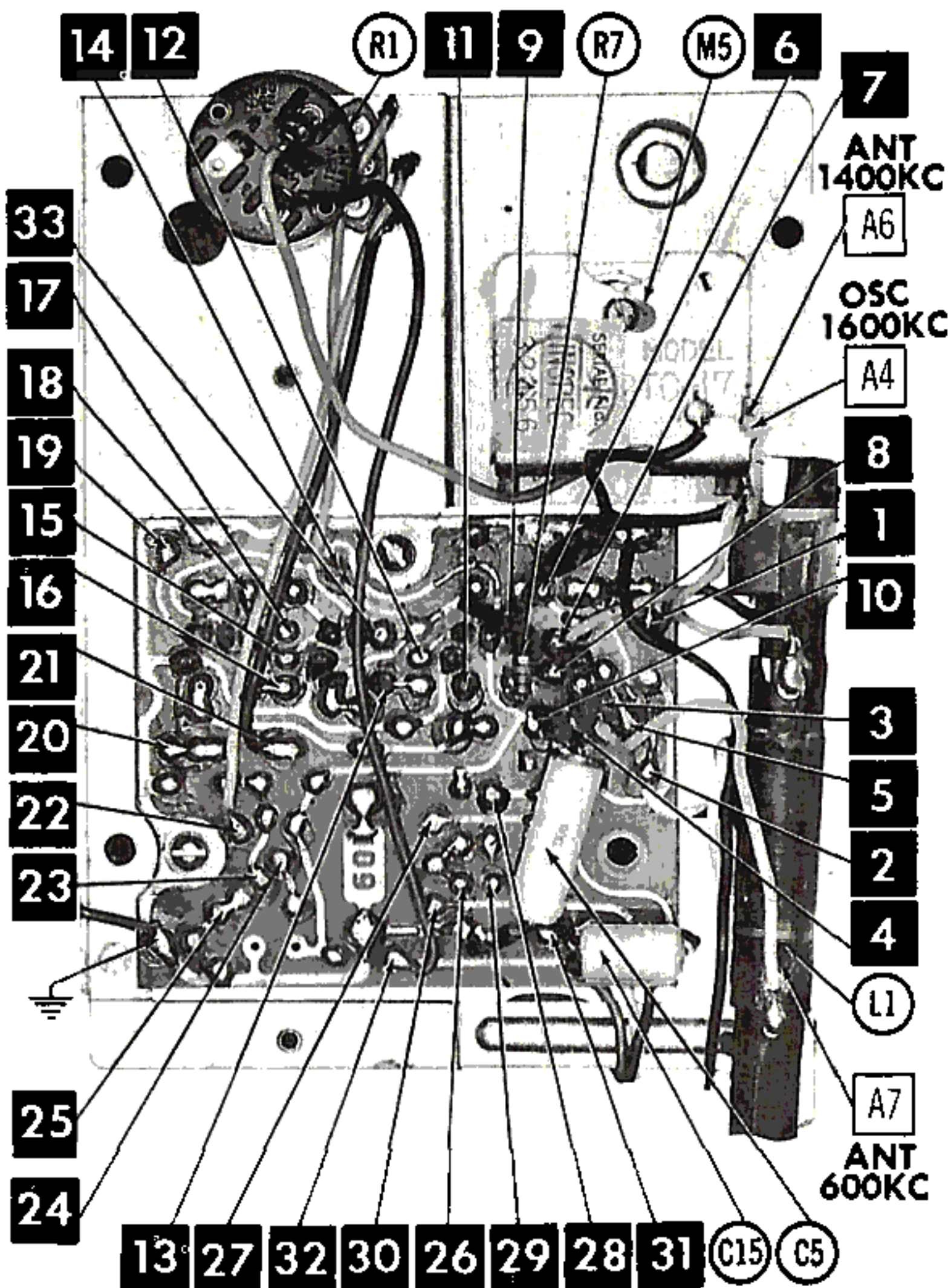
DC COIL RESISTANCE VALUES UNDER ONE OHM NOT SHOWN ON SCHEMATIC DIAGRAM

1. DC voltage measurements taken with vacuum tube voltmeter.
2. Socket connections or transistor terminals are shown as bottom views.
3. Measured values are from socket pin or terminal to common ground.
4. Nominal tolerance on component values makes possible a variation of $\pm 15\%$ in voltage and resistance readings.
5. Volume control at maximum, no signal applied for voltage measurements.

A PHOTOFACIT STANDARD NOTATION SCHEMATIC
with **CIRCUITRACE**

PRINTED BOARD

A Howard W. Sams CIRCUITRACE® Photo



PARTS LIST AND DESCRIPTIONS (Continued)

COILS (RF-IF)

ITEM No.	USE	REPLACEMENT DATA					NOTES
		MATSUSHITA PART No.	Merit PART No.	Miller PART No.	Stancor PART No.	Workman TV PART No.	
L1	Loopstick Osc. 1st IF 2nd IF 3rd IF	AM106-F					
L2		AO06-E					
L3		TRI-2-I ₁					
L4		TRI-2-I ₂					
L5		TRI-2-I ₃					

TRANSFORMER (DRIVER)

ITEM No.	TURNS RATIO		REPLACEMENT DATA					NOTES
	PRI.	SEC.	MATSUSHITA PART No.	Merit PART No.	Stancor PART No.	Thordarson PART No.	Triad PART No.	
T1	1.2	1	TIR-1A			TR-2		

TRANSFORMER (AUDIO OUTPUT)

ITEM No.	IMPEDANCE		REPLACEMENT DATA					NOTES
	PRI.	SEC.	MATSUSHITA PART No.	Merit PART No.	Stancor PART No.	Thordarson PART No.	Triad PART No.	
T2	200Ω CT	3-4Ω	(Part of SP1)					

SPEAKER

ITEM No.	TYPE			REPLACEMENT DATA		NOTES
	SIZE	FIELD	V. C. IMP.	MATSUSHITA PART No.	QUAM PART No.	
SP1	4"	PM	3-4Ω	P-409RE*	4A07	* Includes T2

BATTERIES

ITEM No.	VOLTAGE	MATSUSHITA PART No.	REPLACEMENT DATA						NOTES
			BURGESS		EVEREADY		MALLORY		
			"A"	"B"	"A"	"B"	"A"	"B"	
M1	1 1/2V	UM-2		130		835		M-14R	4 Required

SIGNAL DIODES

ITEM No.	ORIG. TYPE	REPLACEMENT DATA			NOTES
		MATSUSHITA PART No.	GENERAL ELECTRIC PART No.	RAYTHEON PART No.	
M2	OA70			1N60	AVC Detector Output Bias
M3	OA70			1N60	
M4	MA23B				

MISCELLANEOUS

ITEM No.	PART NAME	MATSUSHITA PART No.	NOTES
M5	Tuning Cap.	2TC-17-B13	2 Gang

CABINETS & CABINET PARTS

(When Ordering Cabinets & Cabinet Parts, Specify Model, Chassis & Color)

NAME	PART NO.	DESCRIPTION
Knob	#185	Tuning Volume
Knob	#184	

CHASSIS—TOP VIEW

