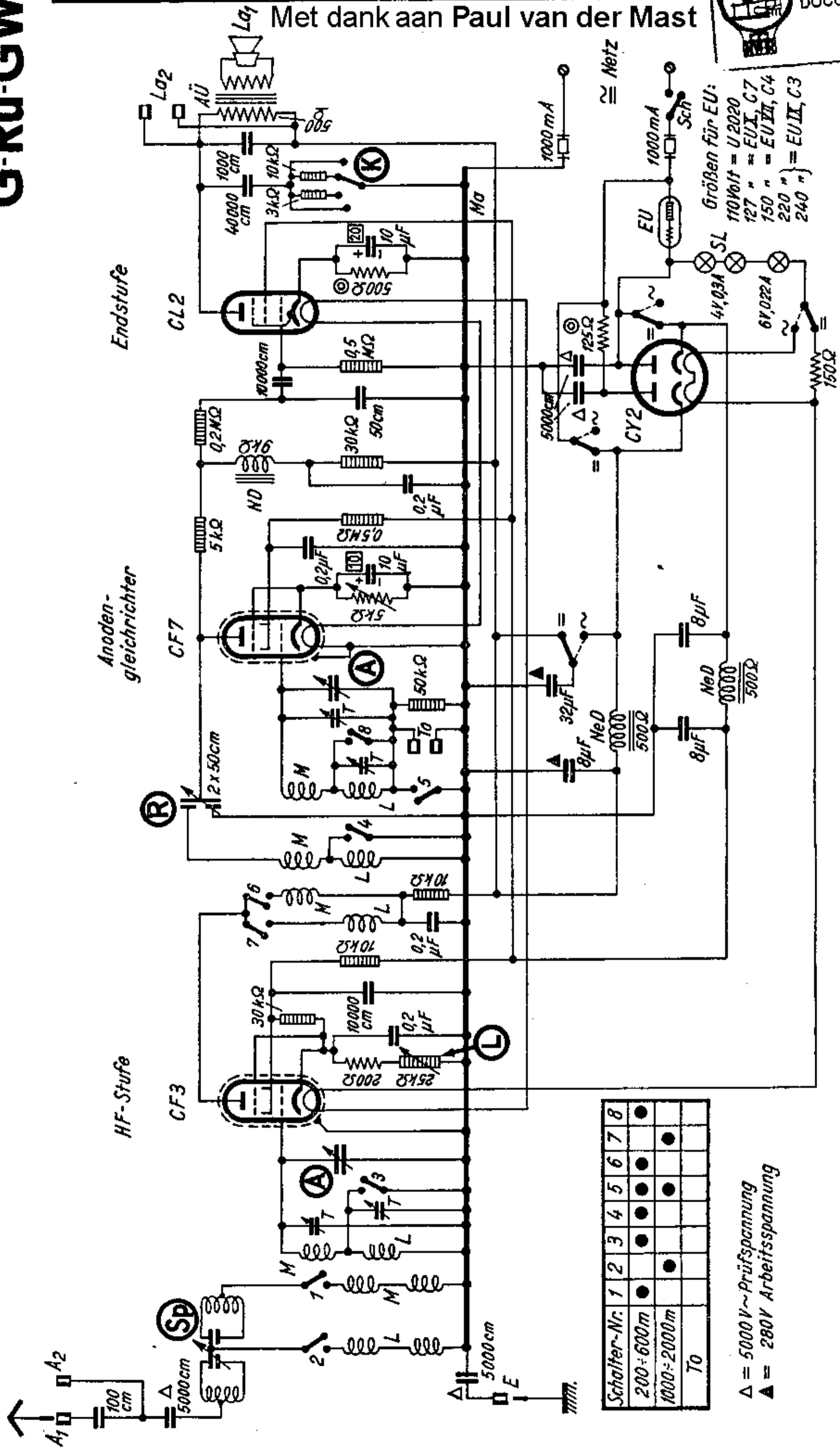


3 Röhren 2 Kreise G-Rü-GW

Owin L133 GW Kapitän

Met dank aan Paul van der Mast



Größen für EU:
 110 Volt = U 2020
 127 " = EU I, C7
 150 " = EU VII, C4
 220 " = EU IX, C3
 240 " = EU IX, C3

| Schalter-Nr. | 1 | 2 | 3 | 4 | 5 | 6 | 7 | 8 |
|--------------|---|---|---|---|---|---|---|---|
| 200-600m | ● | ● | ● | ● | ● | ● | ● | ● |
| 1000-2000m | | | ● | | | | | |
| T0 | | | | | | | | |

Δ = 5000 V ~ Prüfspannung
 ▲ = 280V Arbeitsspannung