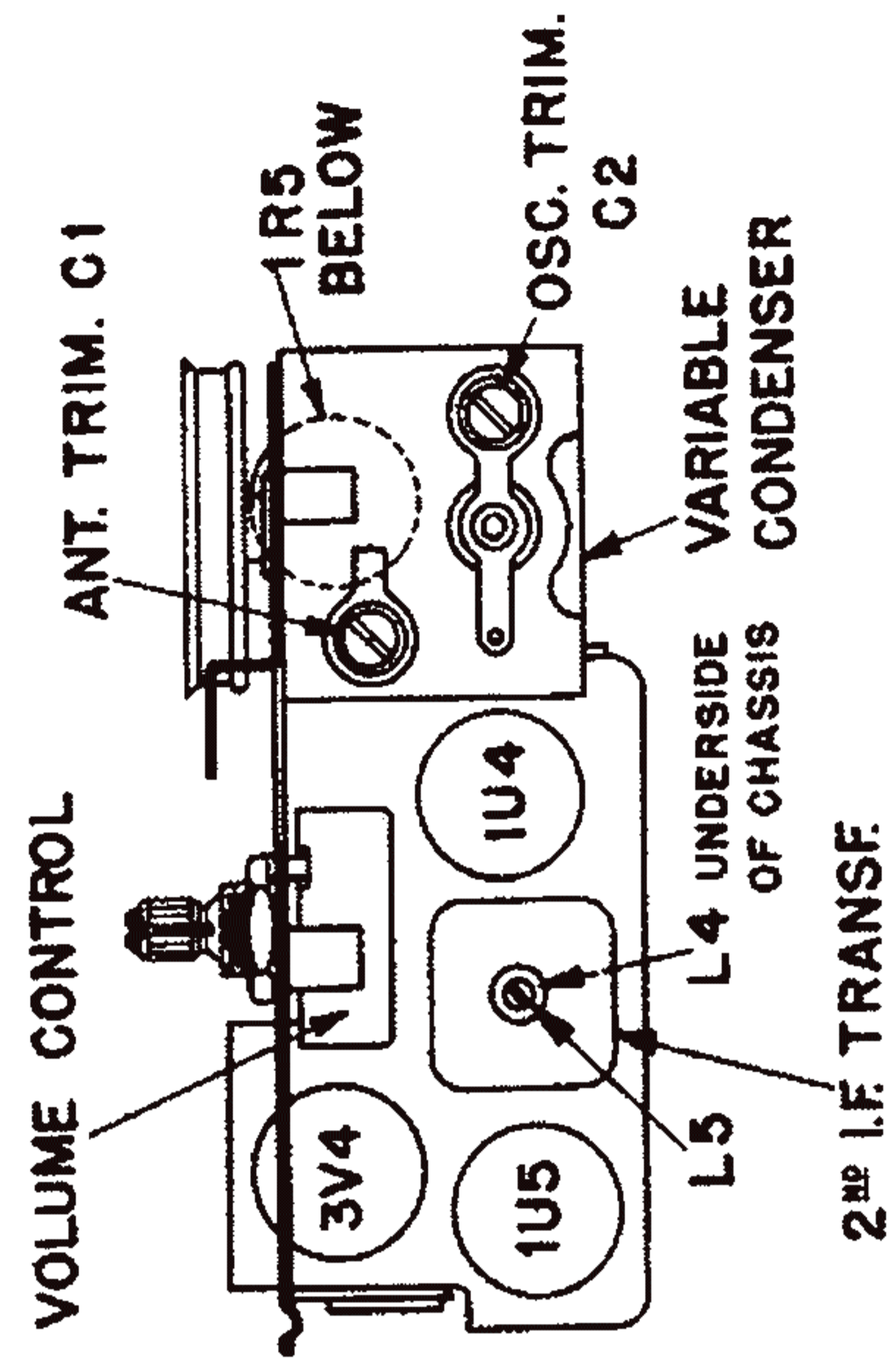
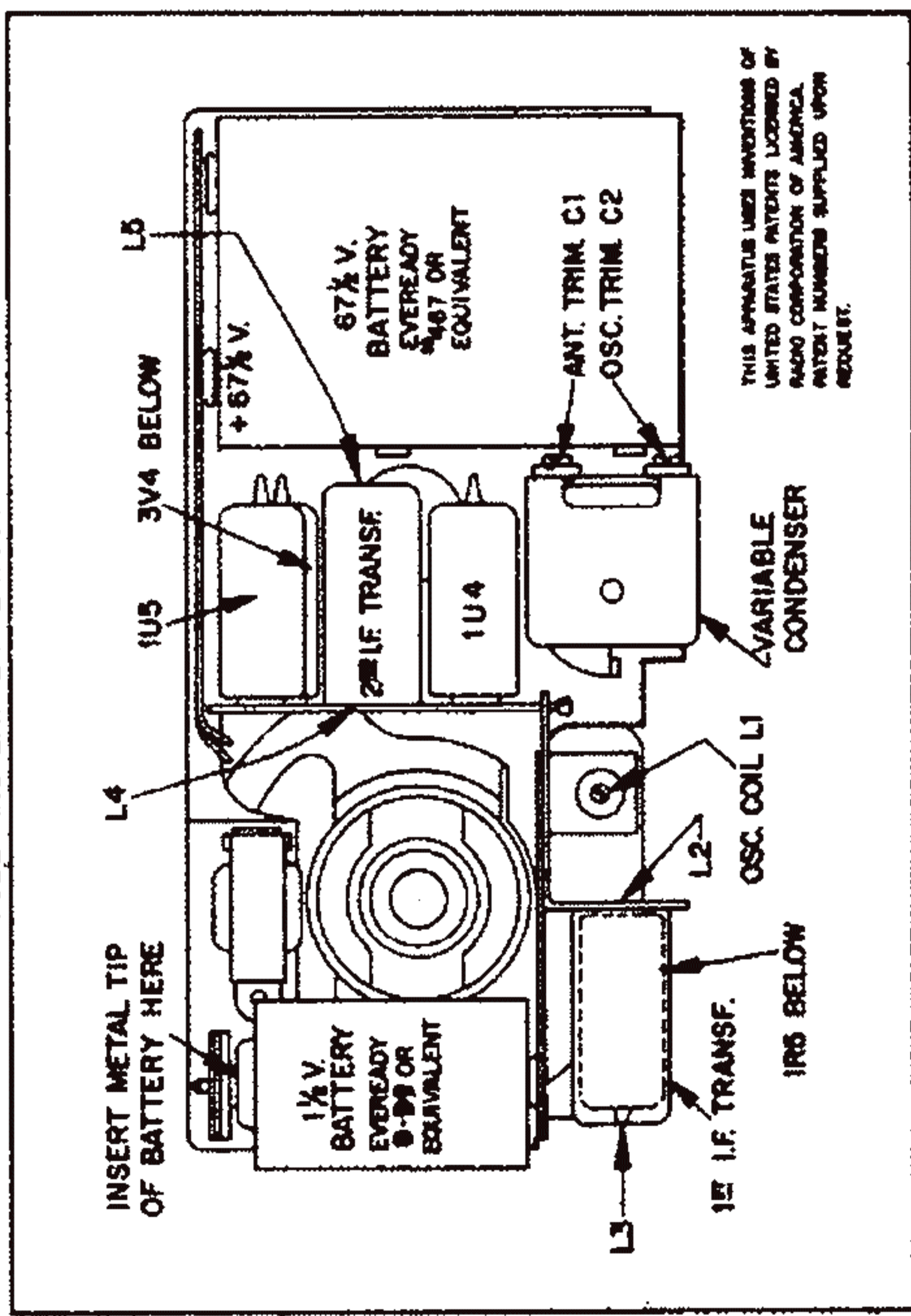


# MANUAL OF 1954 MOST-OFTEN-NEEDED RADIO DIAGRAMS

## OLYMPIC RADIO & TELEVISION INC.

### MODEL 449

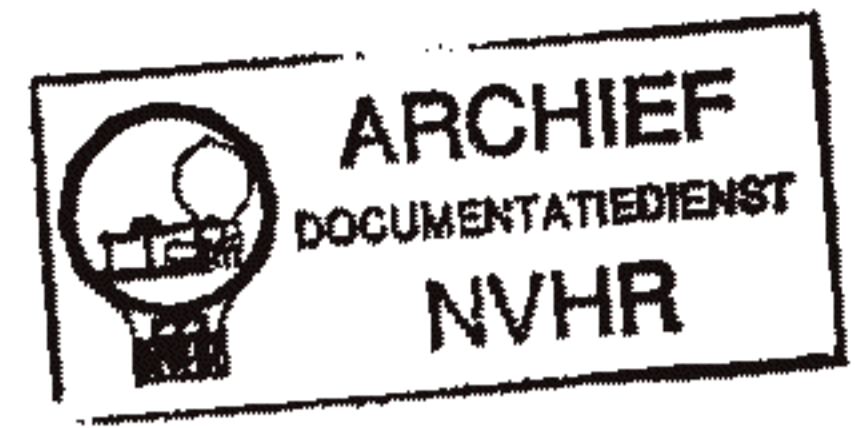
TUBE AND BATTERY LAYOUT



ALIGNMENT PROCEDURE CHART

| STEP | CONNECT HIGH SIDE OF SIGNAL GENERATOR TO -   | SET SIGNAL GENERATOR TO - | SET POINTER TO -  | ADJUST THE FOLLOWING FOR MAXIMUM OUTPUT. (KEEP SIGNAL FROM SIGNAL GENERATOR AS LOW AS POSSIBLE.) |
|------|--|---------------------------|---|--|
| 1    | R. F. SECTION OF VARIABLE CONDENSER IN SERIES WITH A .1 MFD. 400 VOLT CONDENSER.           | 455 KC.                   | EXTREME RIGHT HAND POSITION (CONDENSER PLATES FULLY OPEN) | L5, L4, L3, L2 AND REPEAT IN SAME ORDER (1ST. AND 2ND. I.F. TRANSFORMERS.)                       |
| 2    | USE RADIATED SIGNAL (CONNECT BOTH SIDES OF SIGNAL GENERATOR TO RADIATION LOOP)             | 1600 KC.                  | 1600 KC. (16 ON DIAL)                                     | C2 (OSCILLATOR TRIMMER)  |
| 3    |  | 1300 KC.                  | MAXIMUM SIGNAL (APPROX. 13 ON DIAL)                       | C1 (ANTENNA TRIMMER)   |
| 4    |  | 600 KC.                   | MAXIMUM SIGNAL (APPROX. 6 ON DIAL)                        | ADJUST L1 ROCK VARIABLE FOR MAXIMUM SIGNAL.  |
| 5    | REPEAT STEPS 2, 3 & 4 AT LEAST TWICE TO INSURE MAXIMUM SENSITIVITY & PROPER DIAL TRACKING. |                           |   |  |

Ned. Ver. v. Historie v/d Radio

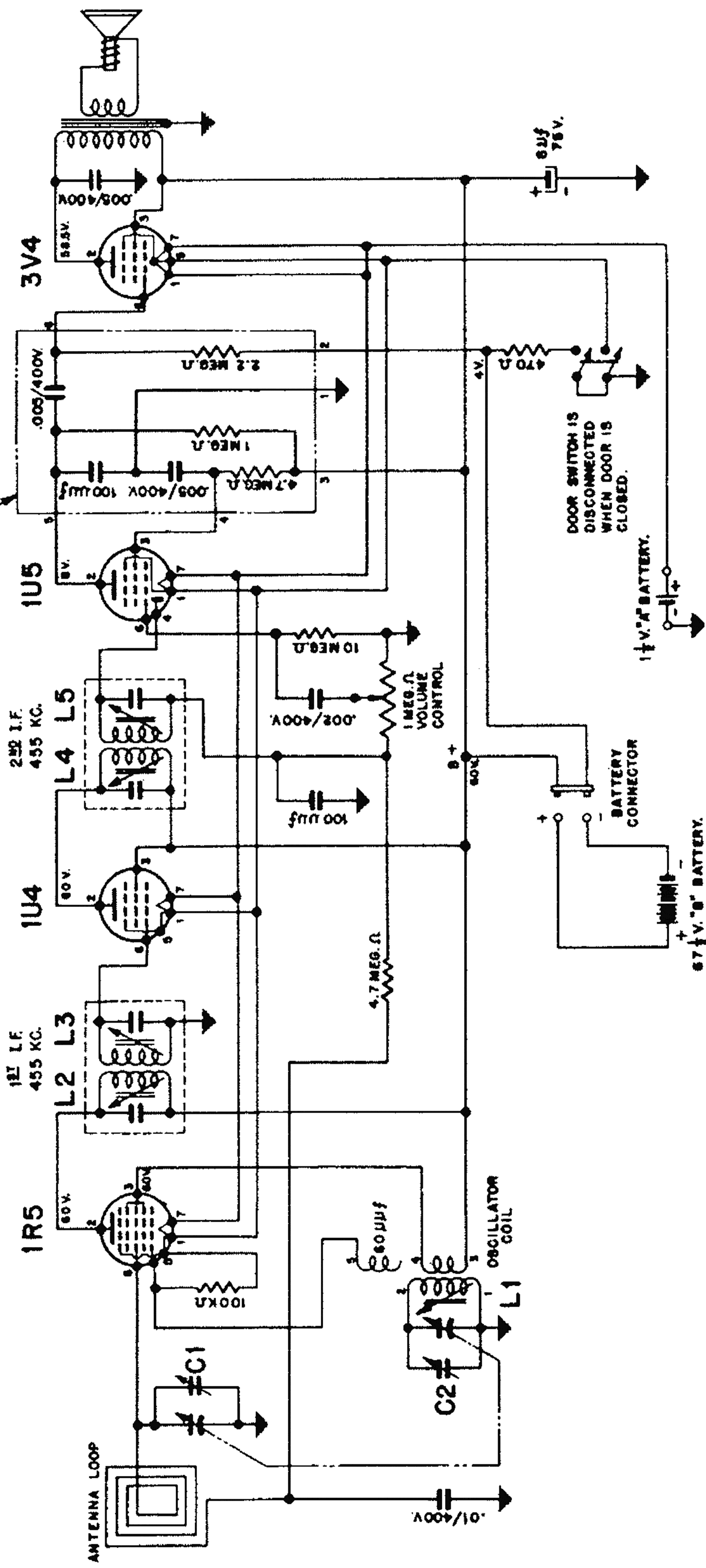


# MANUAL OF 1954 MOST-OFTEN-NEEDED RADIO DIAGRAMS

## OLYMPIC RADIO & TELEVISION INC.

### MODEL 449

PRINTED CIRCUIT "PENTODE COUPLATE"  
CENTRALAB PC-91.



**NOTES:**

1. ALL RESISTORS ± 20% TOLERANCE, 1/2 WATT, UNLESS OTHERWISE SPECIFIED.
2. ALL MICA CONDENSERS ± 20% TOLERANCE, UNLESS OTHERWISE SPECIFIED.
3. ALL VOLTAGES MEASURED BETWEEN POINTS INDICATED AND CHASSIS GROUND, WITH VOLUME CONTROL FULL ON, USING 20,000 OHMS-PER-VOLT METER. ALL VOLTAGE READINGS ± 10%, MEASURED WITH BATTERY VOLTAGES SHOWN.

**BATTERIES:** 1 - 1 1/2v Eveready D-99 or 950, Burgess 2R or Ray-O-Vac 2UP or RCA VS036 or equivalent.  
1 - 67 1/2v Eveready #467, or Burgess XX45 or RCA VS016 or equivalent.