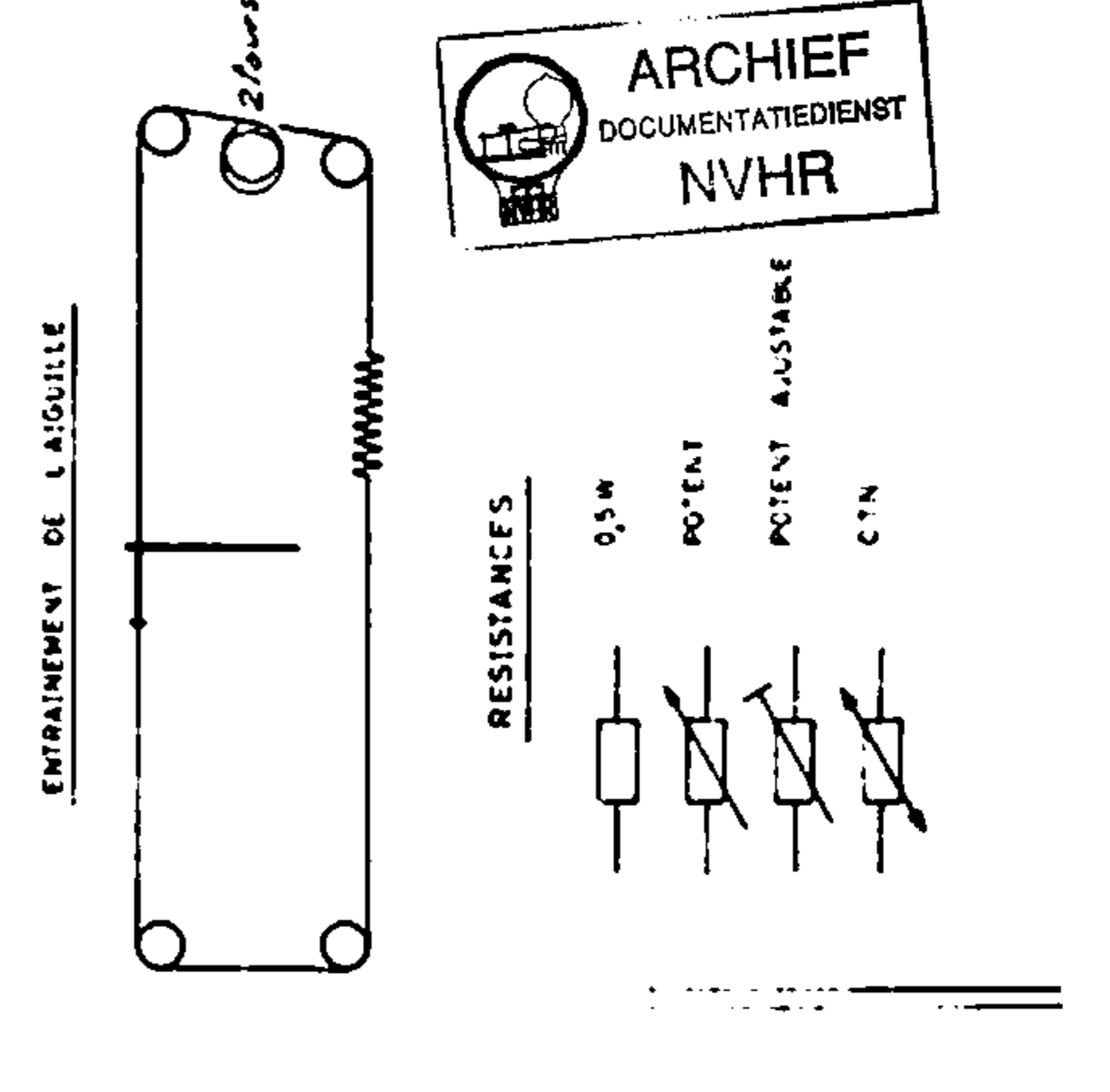
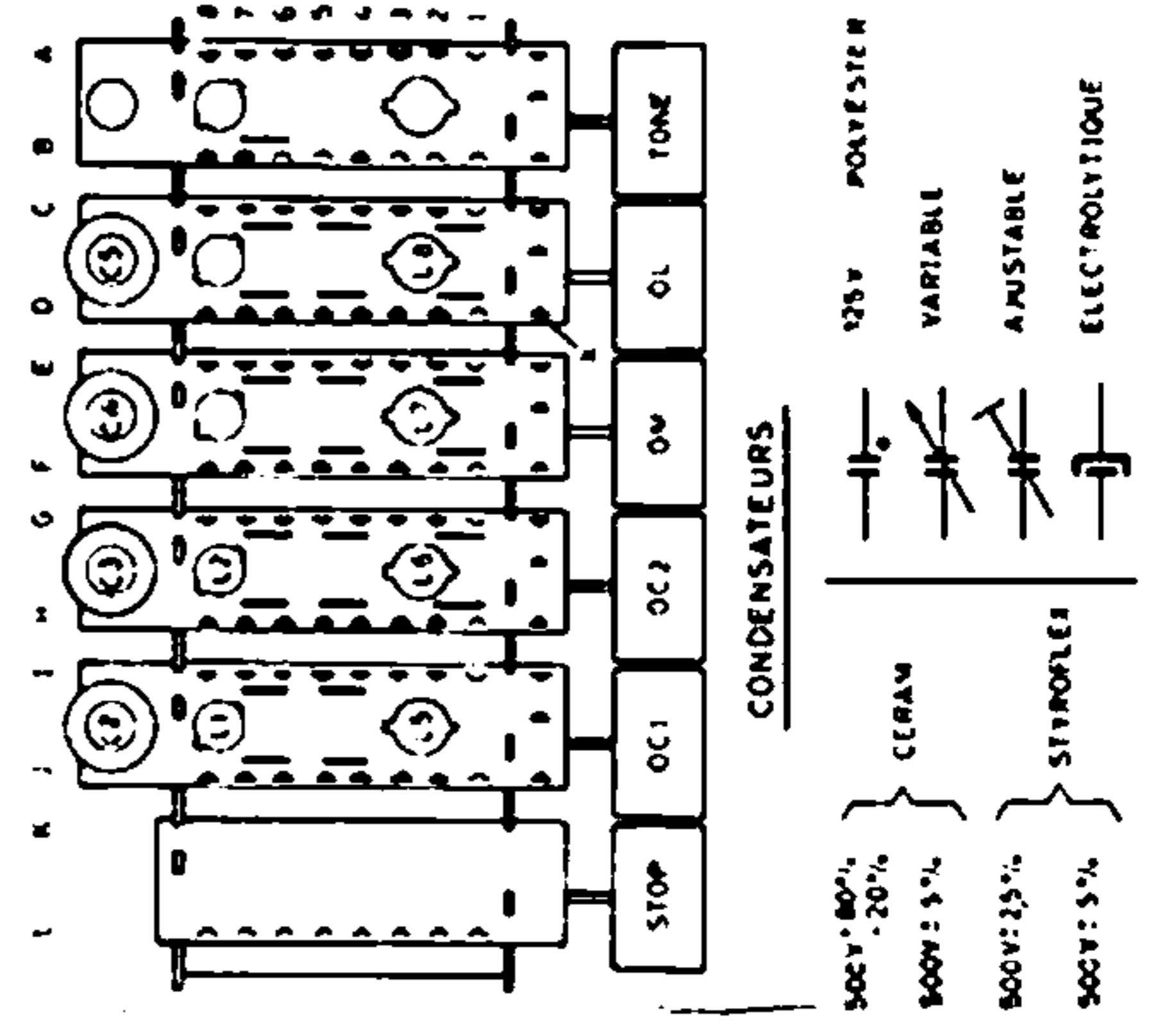
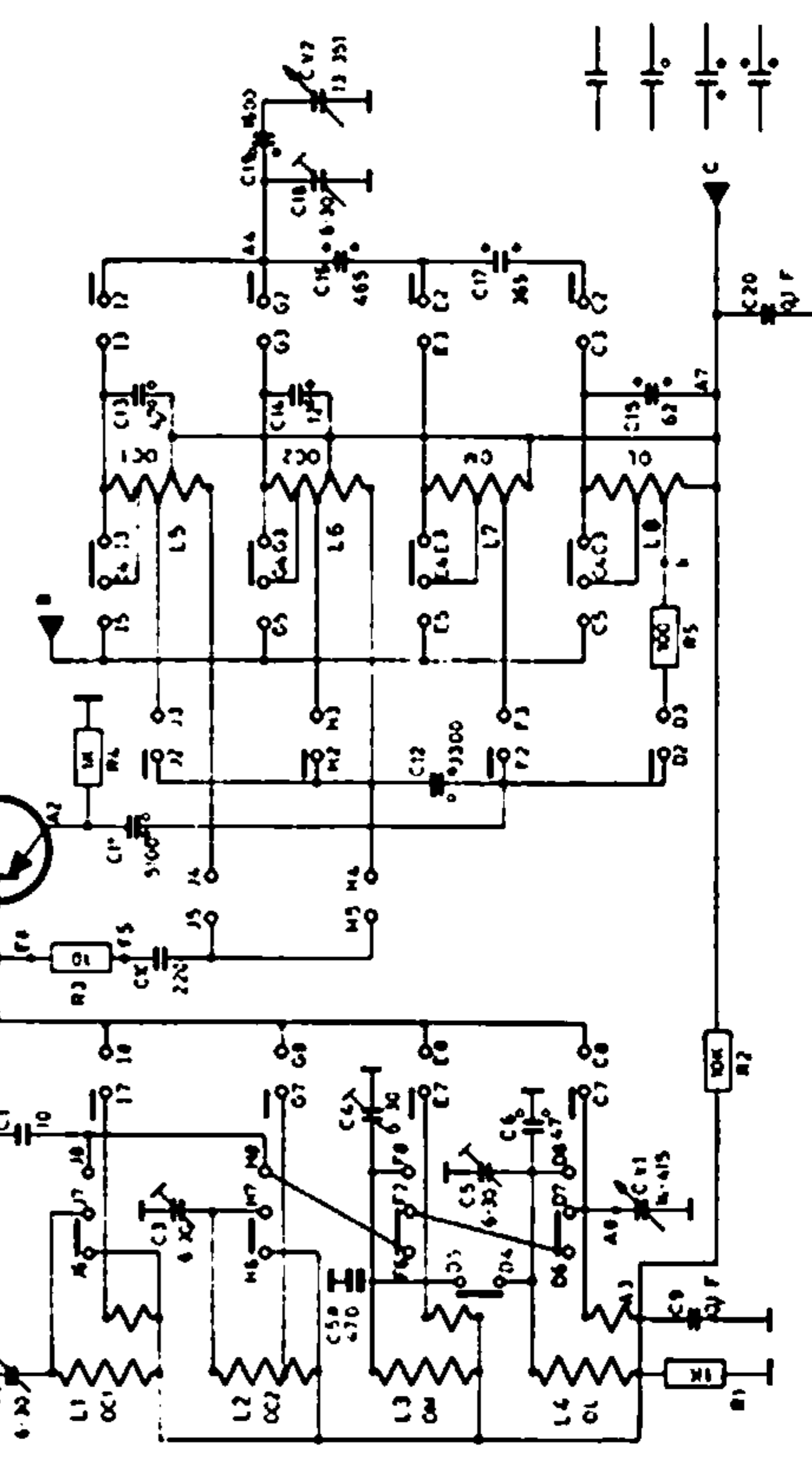
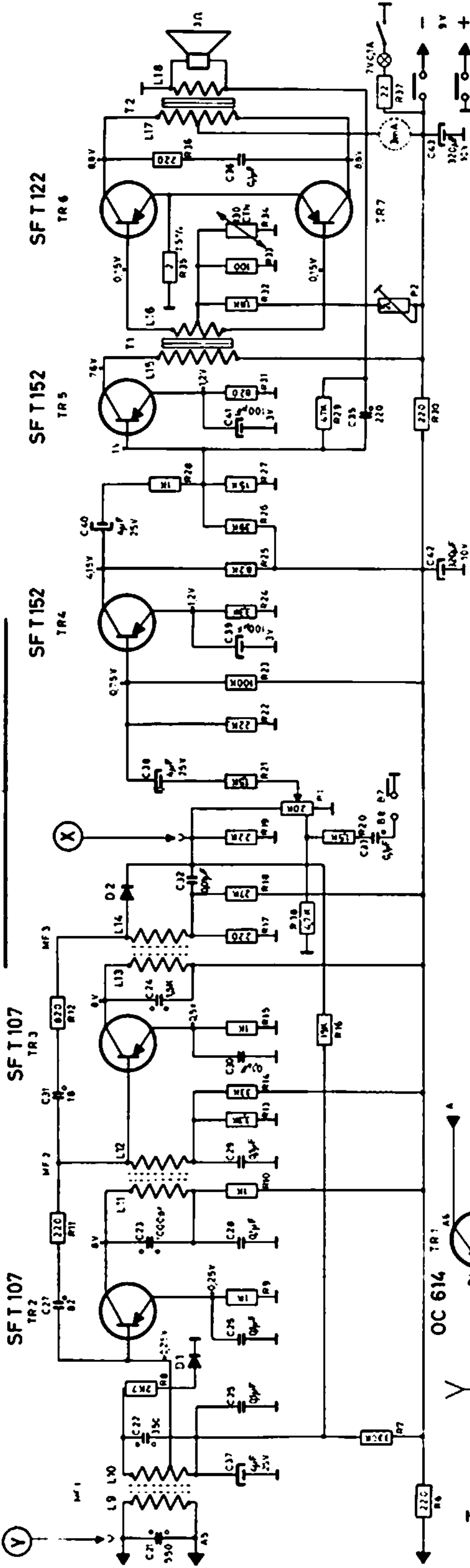


ALL TRANSISTOR 701



Neu. Ver. v. Hiltone v. a. Hiltone

ARCHIEF
DOCUMENTATIEDIENST
NVHR