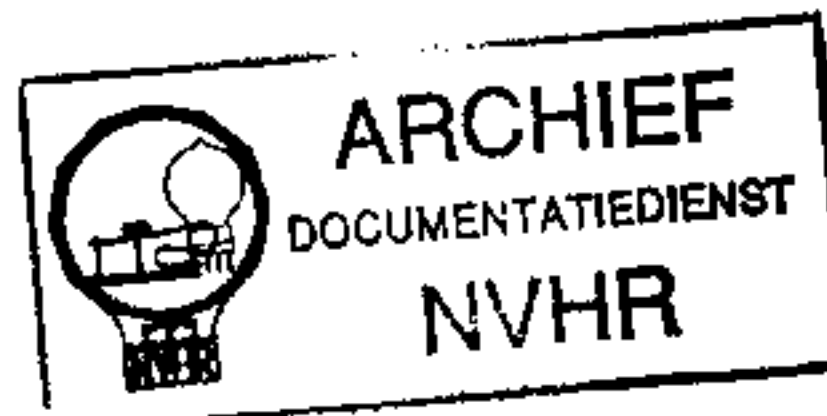


PHOTOFACT® Folder

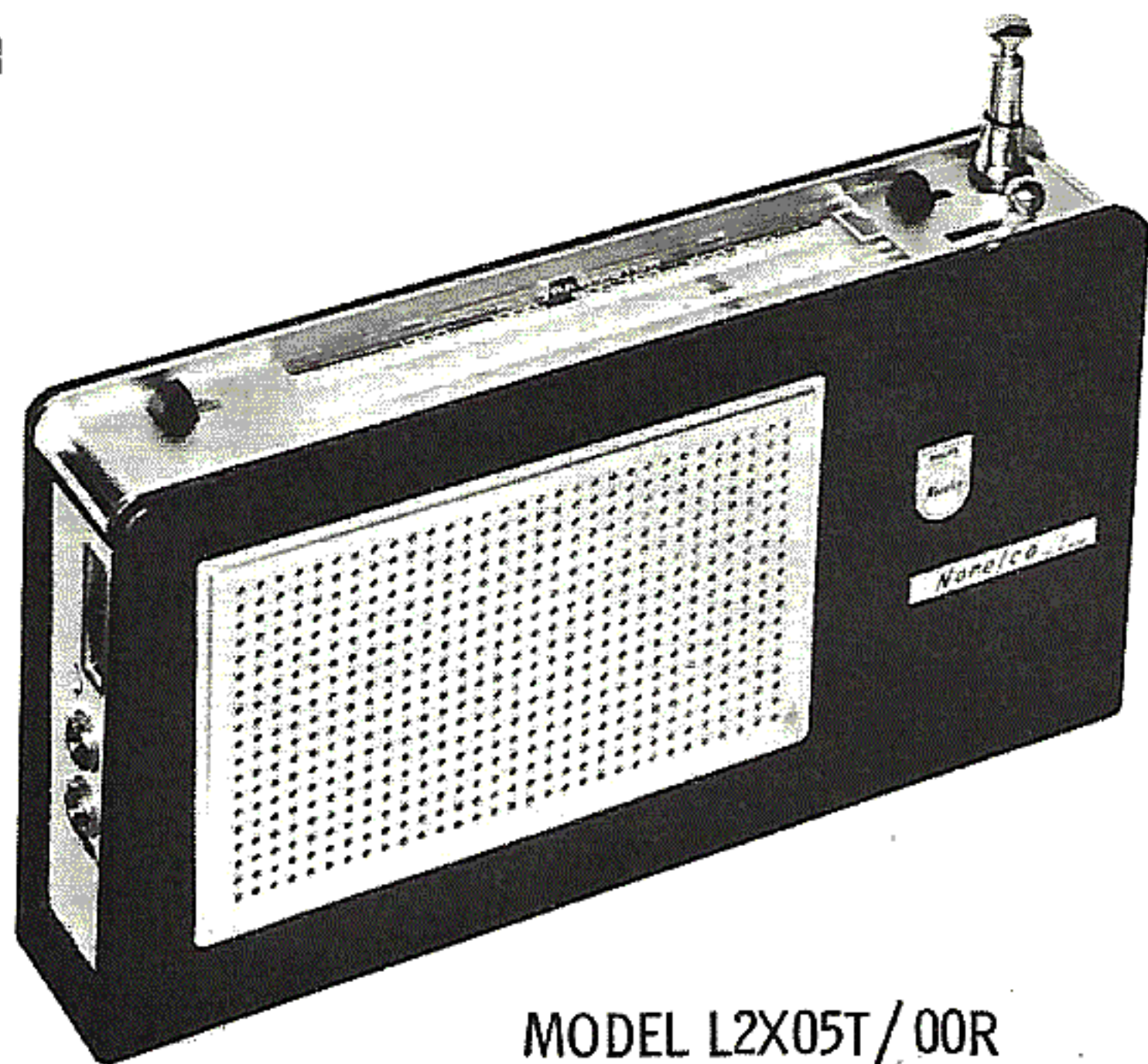
with **CIRCUITRACE®**

**NORELCO MODELS
L2X05T/OOL, L2X05T/OOR, L2X05T/OOW**

Ned. Ver. v. Historie v/d Radio



Met dank aan Jef Bos



MODEL L2X05T/OOR

TRADE NAME	Norelco Models L2X05T/OOL, L2X05T/OOR, L2X05T/OOW		
SUPPLIER	North American Phillips Co., Inc., 190 E. 42nd Street, New York 17, N. Y.		
TYPE SET	Battery Operated 7 Transistor Portable BC-SW Receiver		
POWER SUPPLY	6 Volts DC	RATING	10MA@6 Volts DC (No Signal, Min. Volume) 22MA@6 Volts DC (Signal, Normal Volume)
TUNING RANGE—BROADCAST	507 — 1630KC	SHORT WAVE 1	7.8—18.6MC SHORT WAVE 2 3.25—8.6MC

ALIGNMENT INSTRUCTIONS

ALIGNMENT INSTRUCTIONS—READ CAREFULLY BEFORE ATTEMPTING ALIGNMENT

Use only enough generator output to provide a usable indication.

Suggested Alignment Tools:

A4, A6, A8, A10, A12,..... WALSCO #2503

A9, A11, A13,..... GENERAL CEMENT #5000, 5003, 5066, 8276, 8290, 9087, 9089

WALSCO #2512, 2525, 2528

	SIGNAL GENERATOR COUPLING	SIGNAL GENERATOR FREQUENCY	RADIO DIAL SETTING	CONNECT VTVM	ADJUST	REMARKS
1.	Fashion loop of several turns of wire and radiate signal into loop of receiver.	452KC (Unmod.)	(BC) Tuning gang fully open.	Across volume control.	A1, A2, A3	Adjust for maximum deflection.
2.	"	1630KC	"	"	A4	"
3.	"	507KC	Tuning gang fully closed.	"	A5	Adjust for maximum deflection. Repeat steps 2 & 3.
4.	"	1500KC	1500KC Signal.	"	A6	Adjust for maximum deflection.
5.	"	600KC	600KC Signal.	"	A7	Adjust for maximum output by moving antenna coil turns along ferrite core.
6.	"	17.8MC	(SW1) 17.8MC Signal.	"	A8	Adjust for maximum deflection.
7.	"	9.6MC	9.6MC Signal.	"	A9	Adjust for maximum deflection. Repeat steps 6 & 7.
8.	"	8.7MC	Tuning gang fully open.	"	A10	Adjust for maximum deflection.
9.	"	3.2MC	Tuning gang fully closed.	"	A11	Adjust for maximum deflection. Repeat Steps 8 & 9.
10.	"	7.2MC	(SW2) 7.2MC Signal.	"	A12	Adjust for maximum deflection.
11.	"	3.3MC	3.3MC Signal.	"	A13	"

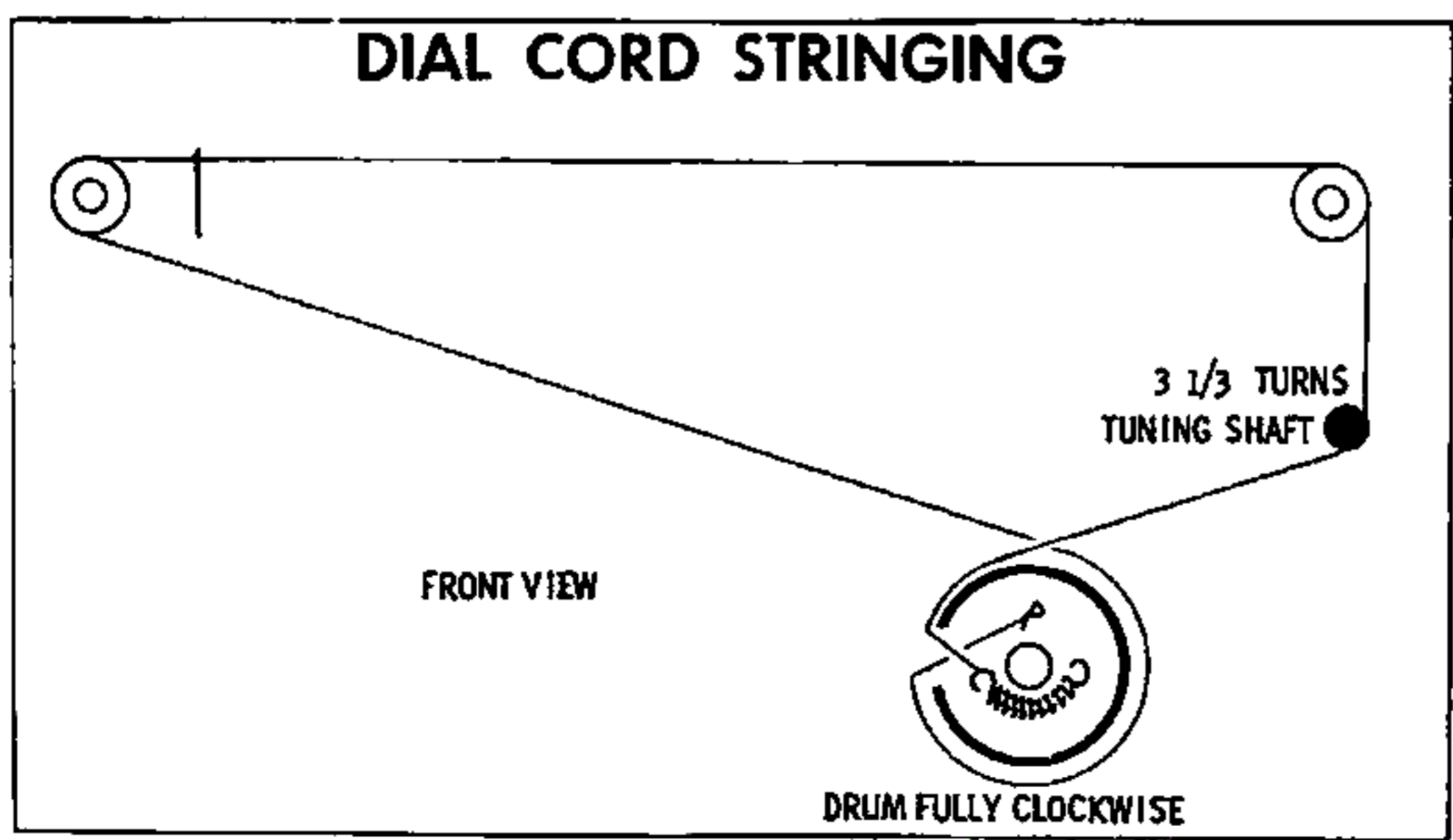
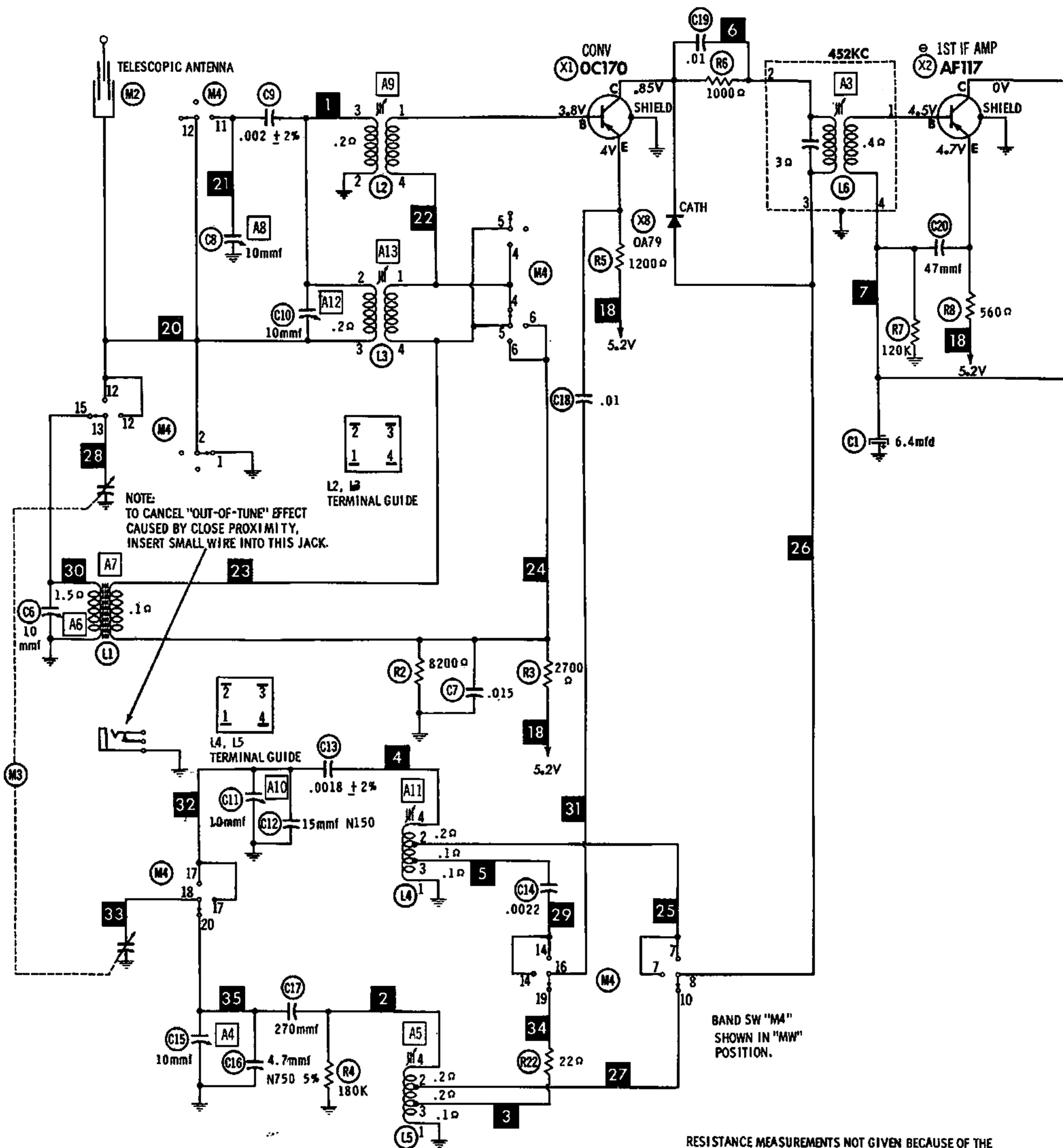
HOWARD W. SAMS & CO., INC. Indianapolis 6, Indiana

The listing of any available replacement part herein does not constitute in any case a recommendation, warranty or guaranty by Howard W. Sams & Co., Inc., as to the quality and suitability of such replacement part. The numbers of these parts have been compiled from information furnished to Howard W. Sams & Co., Inc., by the manufacturers of LF390

the particular type of replacement part listed. Reproduction or use, without express permission, of editorial or pictorial content, in any manner, is prohibited. No patent liability is assumed with respect to the use of the information contained herein. ©1962 Howard W. Sams & Co., Inc., Indianapolis 6, Indiana. Printed in U.S. of America

L2X05T/OOL, L2X05T/OOR, L2X05T/OOW

NORELCO MODELS

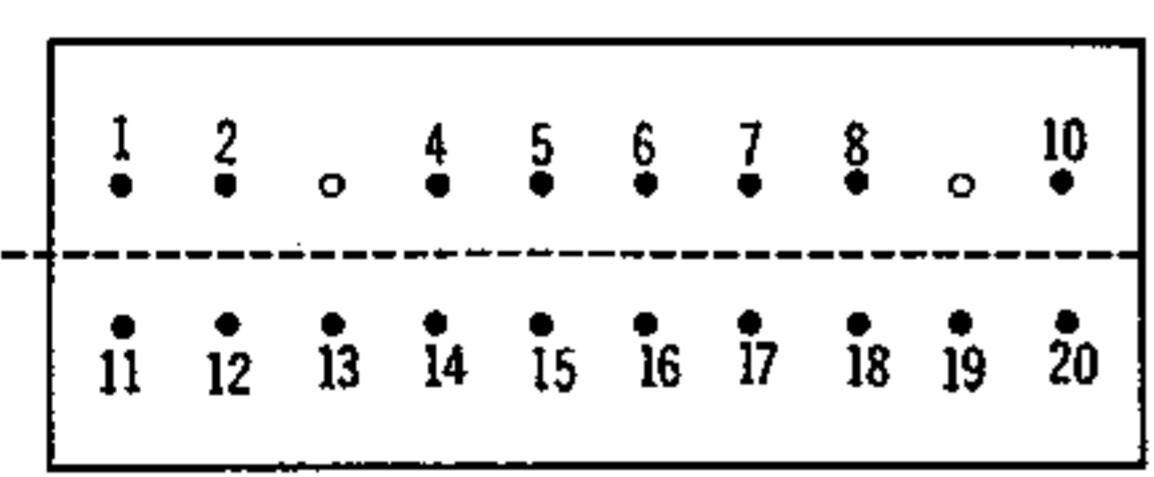
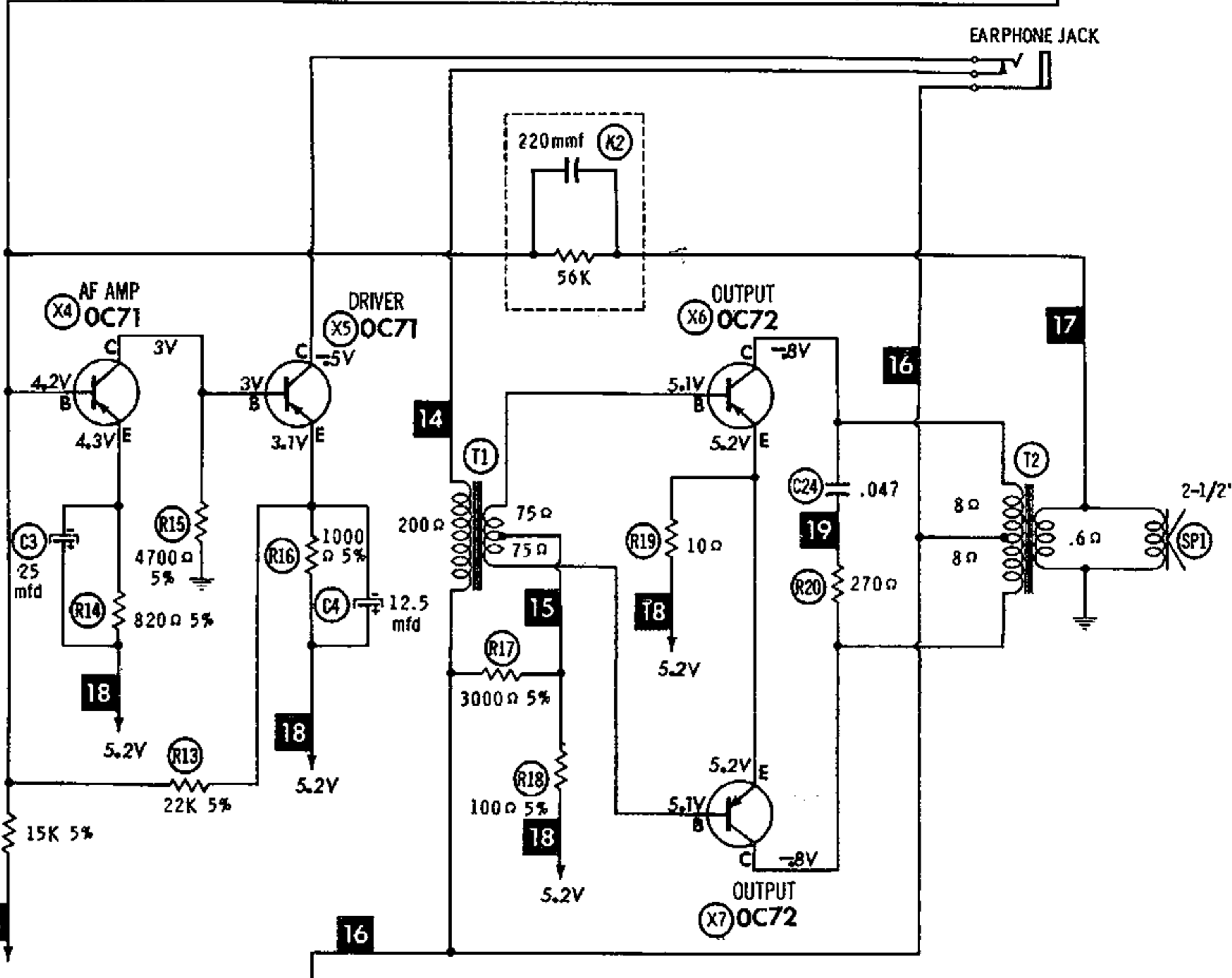
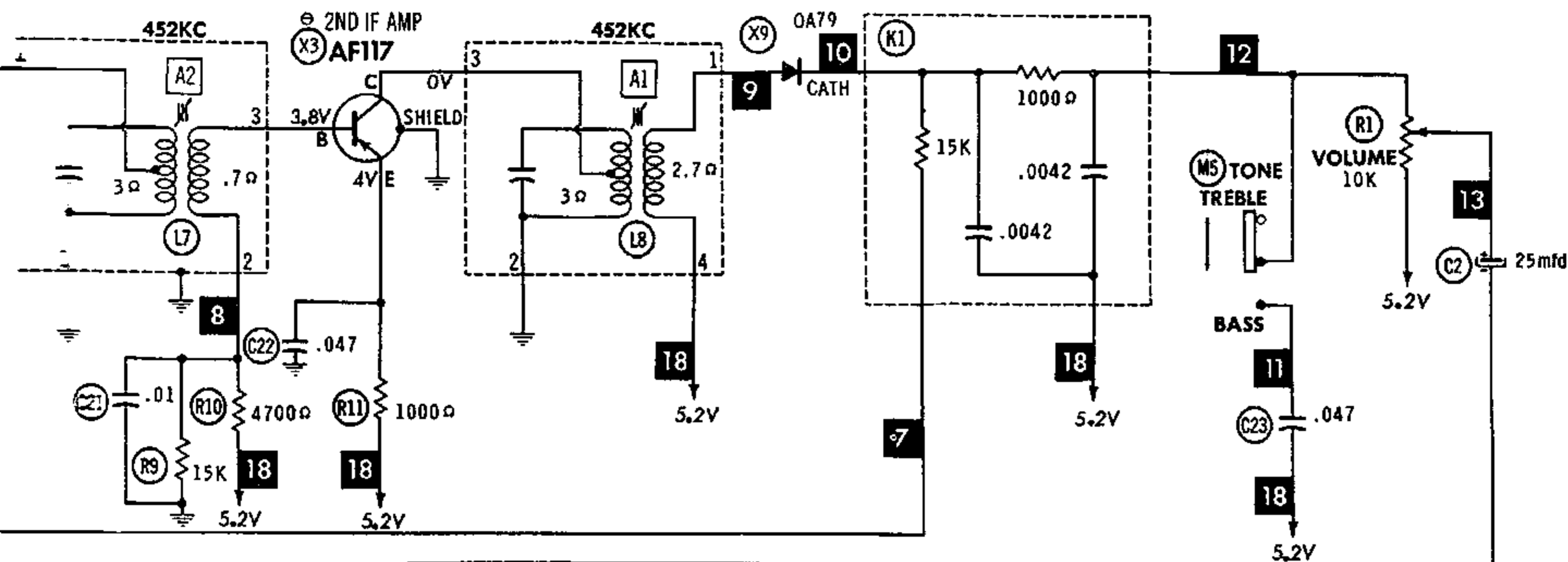


NUMBERS ASSIGNED TO COILS, SWITCHES, PLUGS, SOCKETS, AND TRANSFORMERS ARE TO FACILITATE CIRCUIT TRACING OR COMPONENT REPLACEMENT AND MAY NOT NECESSARILY BE FOUND ON THE UNIT.

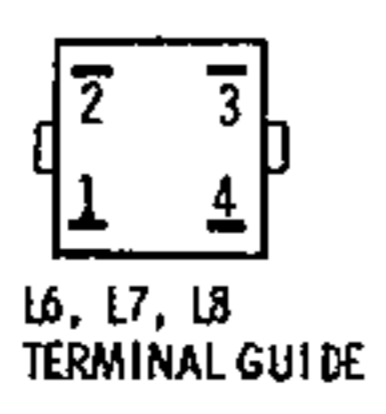
1. DC voltage measurements taken with vacuum tube voltmeter.
2. Socket connections or transistor terminals are shown as bottom views.
3. Measured values are from socket pin or terminal to common ground.
4. Nominal tolerance on component values makes possible a variation of $\pm 15\%$ in voltage and resistance readings.
5. Volume control at maximum, no signal applied for voltage measurements.

SEE PARTS LIST FOR ALTERNATE VALUE OR APPLICATION

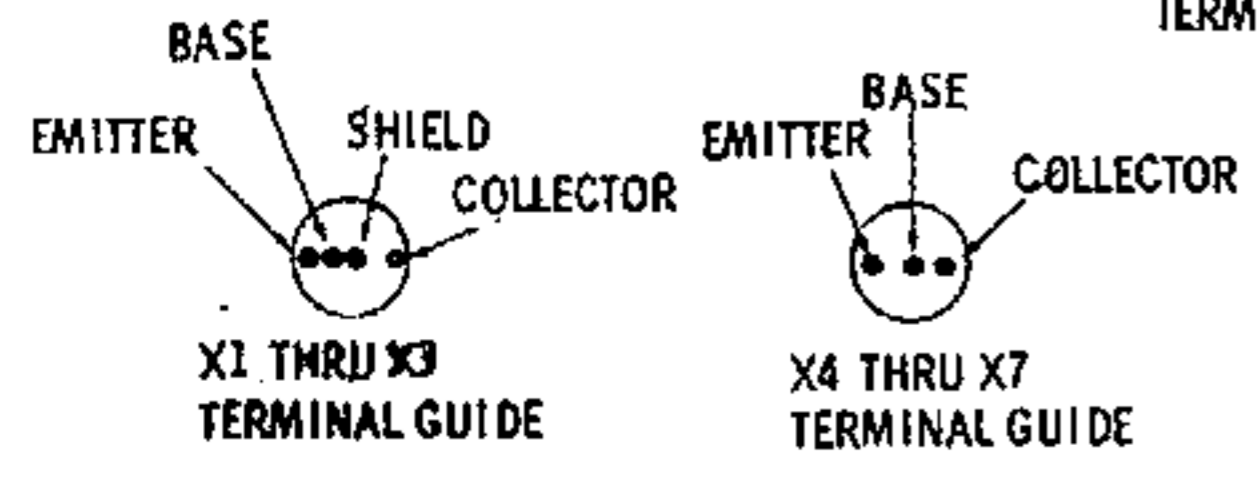
A PHOTOFACIT STANDARD NOTATION SCHEMATIC with CIRCUITRACE



BAND SELECTOR SWITCH (M4) TERMINAL NUMBERING GUIDE
 (VIEWED FROM BOTTOM OF PRINTED BOARD)
 FAR LEFT - SW1
 CENTER - SW2
 FAR RIGHT - MW

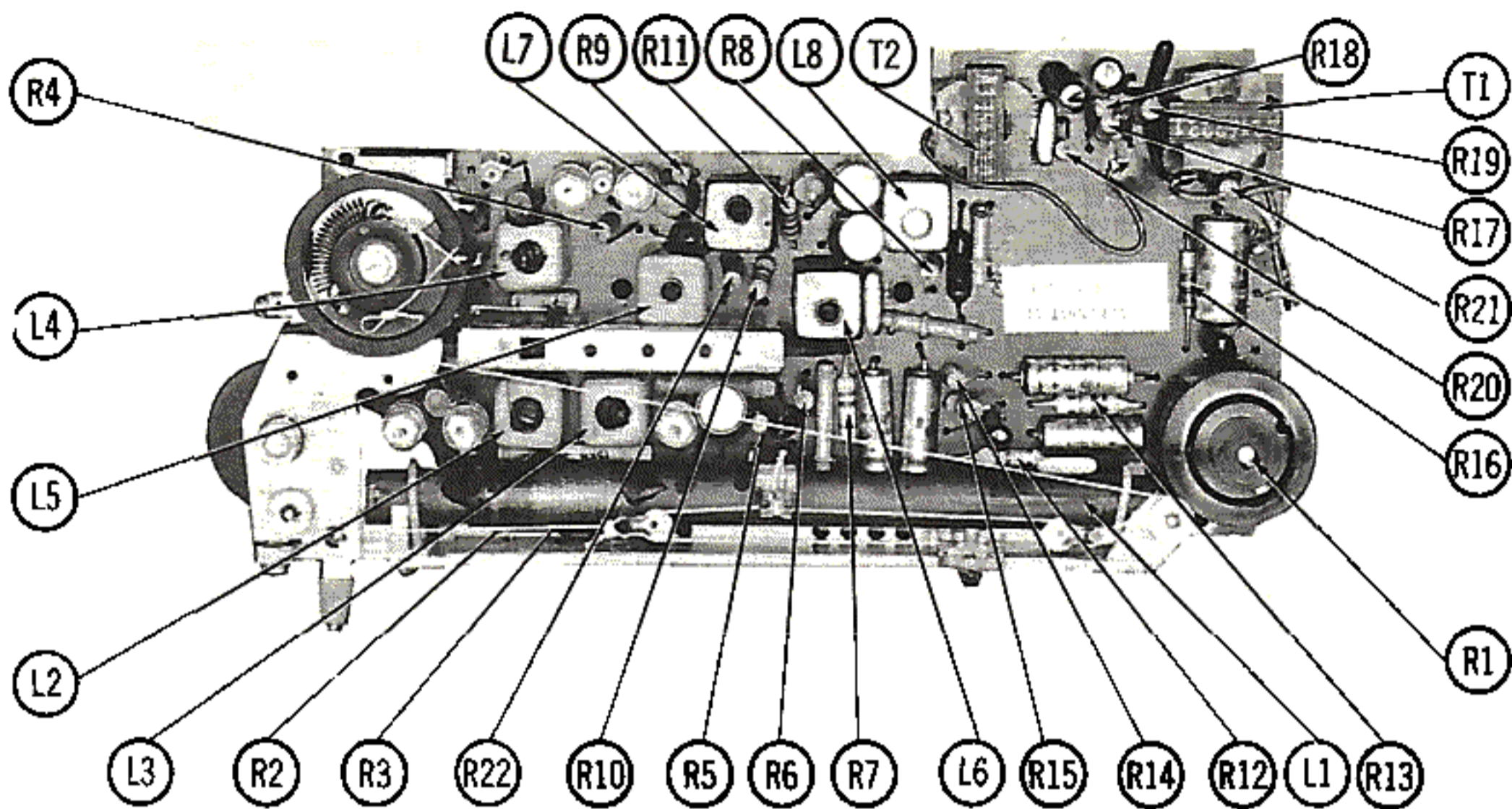


L6, L7, L8
 TERMINAL GUIDE

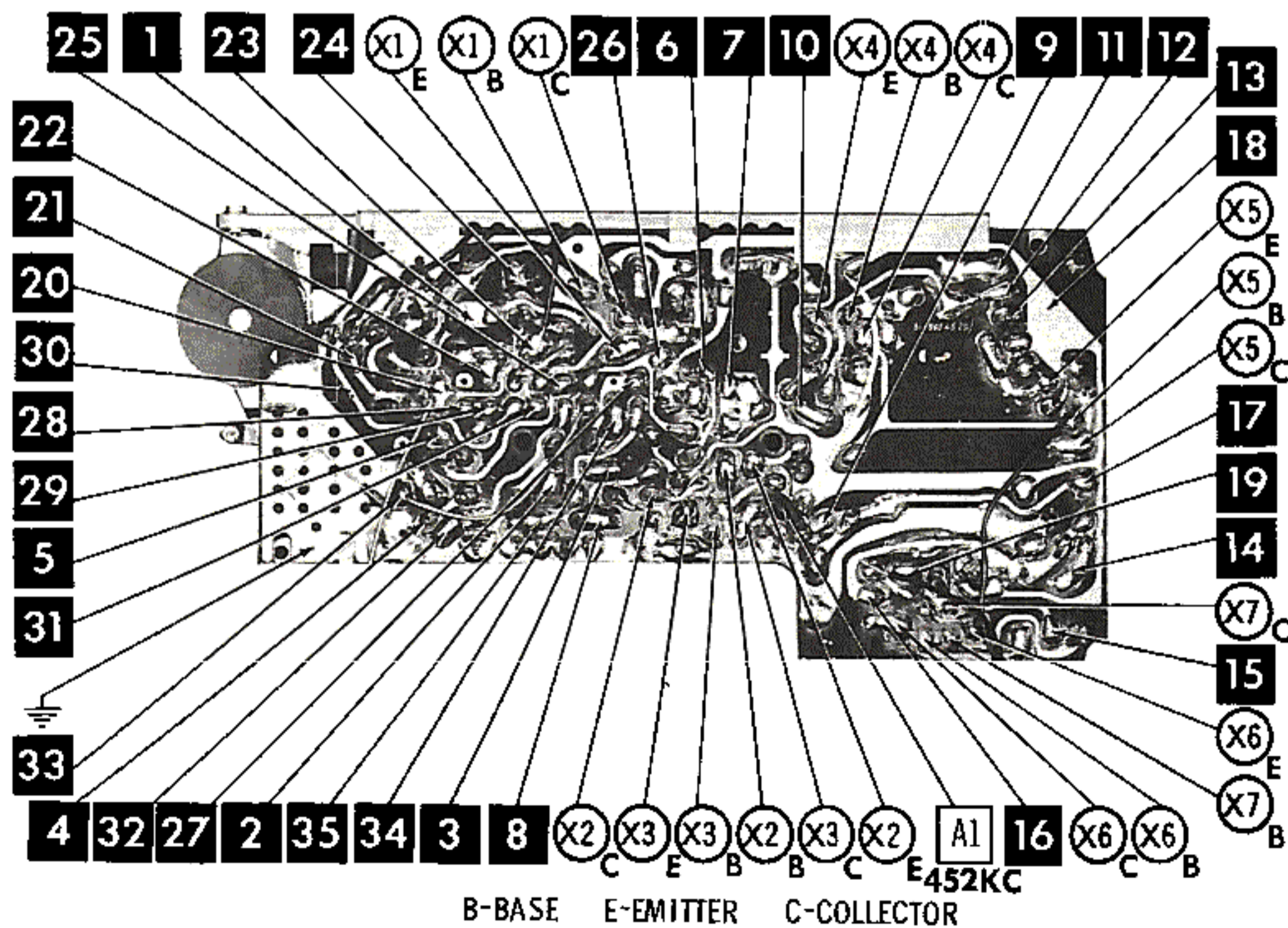


X1 THRU X3
 TERMINAL GUIDE

X4 THRU X7
 TERMINAL GUIDE



CHASSIS TOP VIEW — RESISTOR & INDUCTOR IDENT.



PRINTED BOARD

PARTS LIST AND DESCRIPTIONS (Continued)

COILS (RF-IF)

ITEM No.	USE	REPLACEMENT DATA					NOTES
		NORELCO PART No.	Merit PART No.	Miller PART No.	Stancor PART No.	Workman PART No.	
L1	Loopstick	A398716					
L2	SW 1 RF	A391049					
L3	SW 2 RF	A391042					
L4	SW Osc.	A391045					
L5	BC Osc.	A391044					
L6	1st IF	A316236					
L7	2nd IF	A316235					
L8	3rd IF	A316237					

TRANSFORMER (DRIVER)

ITEM No.	TURNS RATIO		REPLACEMENT DATA					NOTES
			NORELCO PART No.	Merit PART No.	Stancor PART No.	Thordarson PART No.	Triad PART No.	
	PRI.	SEC.						
T1	1	1	A316633.1 (A316233)					

TRANSFORMER (AUDIO OUTPUT)

ITEM No.	IMPEDANCE		REPLACEMENT DATA					NOTES
			NORELCO PART No.	Merit PART No.	Stancor PART No.	Thordarson PART No.	Triad PART No.	
	PRI.	SEC.						
T2	1000Ω CT	10-12Ω	A3-15440.0					

SPEAKER

ITEM No.	TYPE			REPLACEMENT DATA		NOTES
				NORELCO PART No.	QUAM PART No.	
	SIZE	FIELD	V. C. IMP.			
SP1	2½"	PM	10-12Ω	AD2216Z		

BATTERIES

ITEM No.	VOLTAGE	NORELCO PART No.	REPLACEMENT DATA						NOTES
			BURGESS		EVEREADY		MALLORY		
			"A"	"B"	"A"	"B"	"A"	"B"	
M1	1.5V			930		1015		M-15R	4 Required

MISCELLANEOUS

ITEM No.	PART NAME	NORELCO PART No.	NOTES
M2	Antenna	A383225	Collapsible Whip
M3	Tuning Cap.		2 Gang
M4	Switch		Band Selector
M5	Switch		Tone
M6	Switch	F073AA/01	Power On-Off

CABINETS & CABINET PARTS

(When Ordering Cabinets & Cabinet Parts, Specify Model, Chassis & Color)

NAME	PART NO.	DESCRIPTION
Dial	A396847	
Knob	P407818/799/AA	Volume
Knob	P526070/148/HA	Tone
Knob	P407819/799/EA	Tuning
Knob	P526089/332/HA	Battery Switch
Handle	A368734	
Cabinet	A3961-32	Black, Model L2X05T/00R
Cabinet	A306689	Red, Model L2X05T/00L
Cabinet	A396148	Orange, Model L2X05T/00W

CHASSIS—TOP VIEW

