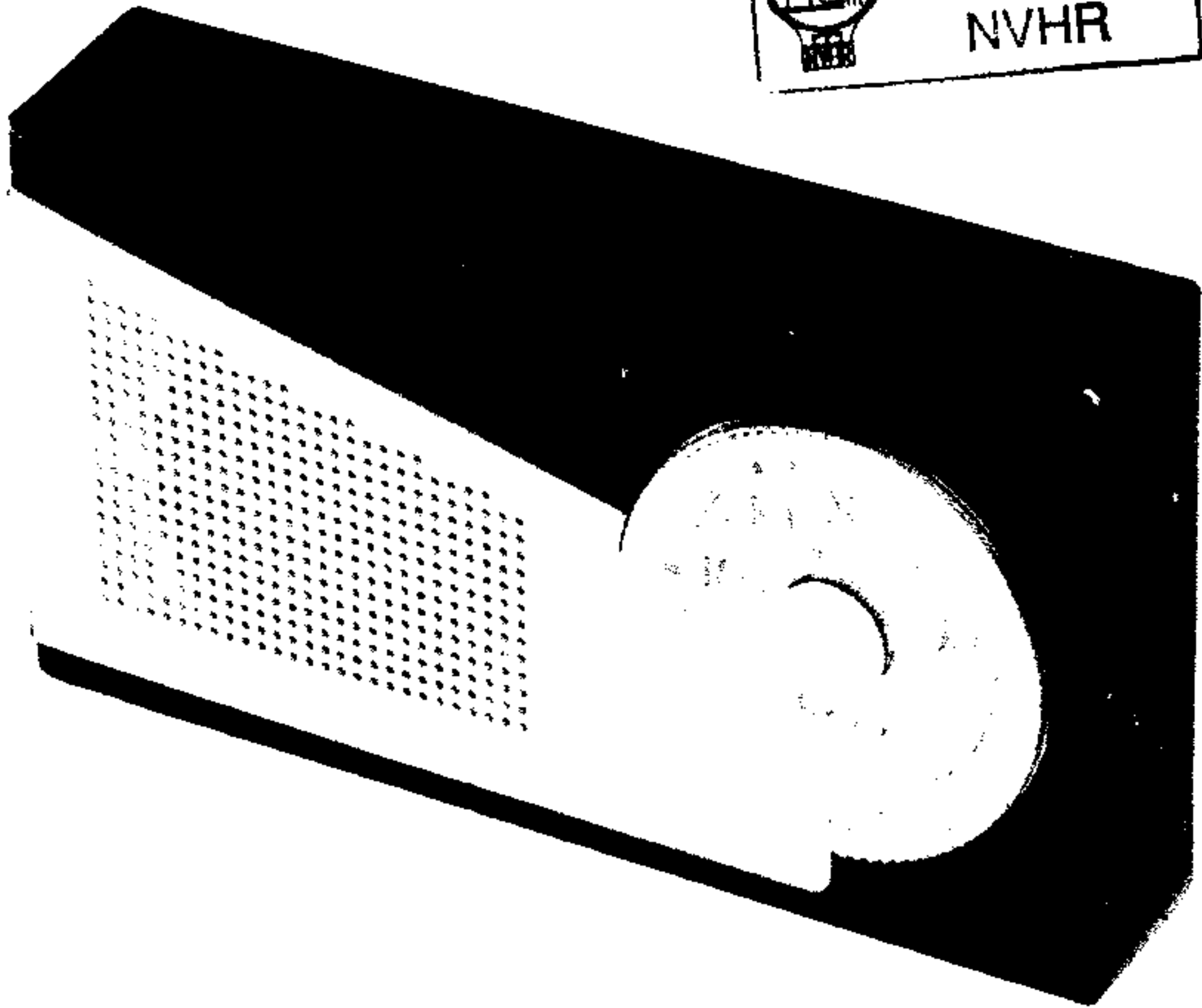
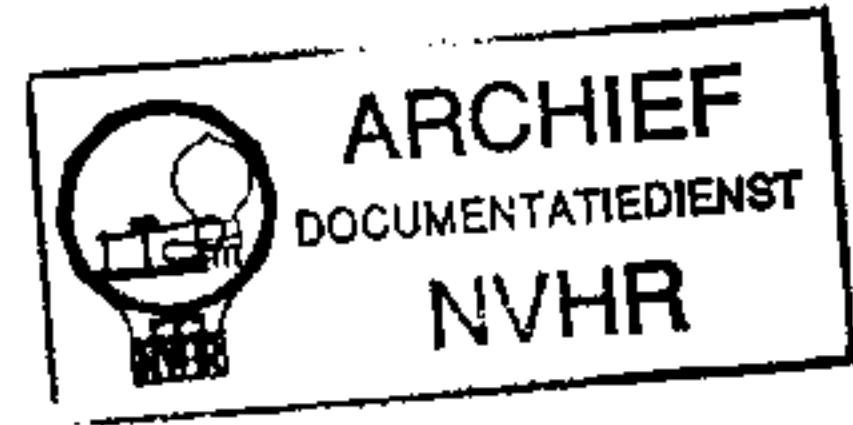


PHOTOFACT® Folder

NORELCO MODEL
LIX75T/64R

Met dank aan Jef Bos

Ned. Ver. v. Historie v/d Radio



TRADE NAME	Norelco Model LIX75T/64R		
SUPPLIER	North American Philips Co., Inc., 100 E. 42nd St., New York 17, N. Y.		
TYPE SET	Battery Operated Transistorized Portable AM Receiver		
POWER SUPPLY	6 Volts DC	RATING	10MA @ 6 Volts DC (No Signal, Min. Volume)
TUNING RANGE—BROADCAST	517 - 1622KC		12MA @ 6 Volts DC (Signal, Normal Volume)

ALIGNMENT INSTRUCTIONS

ALIGNMENT INSTRUCTIONS—READ CAREFULLY BEFORE ATTEMPTING ALIGNMENT

Volume control should be at maximum position. Output of signal generator should be no higher than necessary to obtain an output reading.

Suggested Alignment Tools: A5, A7 GENERAL CEMENT #5004, 5008, 5009
WALSCO #2520

	SIGNAL GENERATOR COUPLING	SIGNAL GENERATOR FREQUENCY	RADIO DIAL SETTING	OUTPUT METER	ADJUST	REMARKS
1.	Loop	452KC (400v Mod.)	Tuning gang fully open	Across Voice Coil	A1, A2, A3	Fashion loop of several turns of wire and radiate signal into loop of receiver. Adjust for maximum output.
2.	"	512KC	Tuning gang fully closed	"	A4	"
3.	"	1630KC	Tuning gang fully open	"	A5	Adjust for maximum output. Repeat steps 2 and 3.
4.	"	600KC	600KC Signal	"	A6	Adjust for maximum output.
5.	"	1500KC	1500KC Signal	"	A7	"

HOWARD W. SAMS & CO., INC. Indianapolis 6, Indiana

The listing of any available replacement part herein does not constitute in any case a recommendation, warranty or guaranty by Howard W. Sams & Co., Inc., as to the quality and suitability of such replacement part. The numbers of these parts have been compiled from information furnished to Howard W. Sams & Co., Inc., by the manufacturers of KF161

the particular type of replacement part listed. Reproduction or use, without express permission, of editorial or pictorial content, in any manner, is prohibited. No patent liability is assumed with respect to the use of the information contained herein. © 1960 Howard W. Sams & Co., Inc., Indianapolis 6, Indiana. Printed in U.S. of America



PARTS LIST AND DESCRIPTIONS

TRANSISTORS

ITEM No.	ORIG. TYPE	USE	REPLACEMENT DATA			NOTES
			RCA PART No.	RAYTHEON PART No.	SYLVANIA PART No.	
X1	OC44 ①	Converter	2N219	2N486	2N219	PNP PNP PNP PNP PNP PNP PNP } Matched Pair
X2	OC45 ②	1st IF Amplifier	2N218	2N483	2N218	
X3	OC45 ②	2nd IF Amplifier	2N218	2N483	2N218	
X4	OC71	AF Amplifier	2N408	2N362		
X5	OC71	Driver	2N408	2N362		
X6	20C72 ③	Output	2N270	2N360		
X7	20C72 ③	Output	2N270	2N360		

① Alternate Type 2N219.

② Alternate Type 2N218.

③ Has heat sink.

ELECTROLYTIC CAPACITORS

ITEM No.	RATING		REPLACEMENT DATA						NOTES
	CAP.	VOLT.	NORELCO PART No.	AEROVOX PART No.	CORNELL-DUBILIER PART No.	MALLORY PART No.	PYRAMID PART No.	SPRAGUE PART No.	
C1	25	6	909/A25	XPP-8025	NLW25-6	TT6X25	ML30-6	TE-1091	
C2	8	6	AC5701/8	XPP-8008	NLW8-6	TT6X8	ML8-6	TE-1086	
C3	8	6	AC5701/8	XPP-8008	NLW8-6	TT6X8	ML8-6	TE-1086	
C4	8	6	AC5701/8	XPP-8008	NLW8-6	TT6X8	ML8-6	TE-1086	
C5	8	6	AC5701/8	XPP-8008	NLW8-6	TT6X8	ML8-6	TE-1086	
C6	80	6	AC5711/80	PWE8100	NLW100-6	TT6X80	ML100-6	TE-1102	

FIXED CAPACITORS

Capacity values given in the rating column are in mfd. for Paper Capacitors, and in mmfd. for Mica and Ceramic Capacitors.

ITEM No.	RATING	REMARKS	REPLACEMENT DATA						
			AEROVOX PART No.	CENTRALAB PART No.	CORNELL-DUBILIER PART No.	ELMENCO PART No.	MALLORY PART No.	SPRAGUE PART No.	
C7	.047 125V 10%	#WN70134/G47K							
C8	3300			D6-332	BYA10D33	CCD-332	GP233	5HK-D33	
C9	.047 125V 10%	#WN70134/G47K							
C10	82		NPO-SI 82	TCZ-82	C10Q82C	CCTO-820	CNO-482	10TCC-Q82	
C11	.047 125V	#WN70134/G47K							
C12	.047 125V 10%	#WN70134/G47K							
C13	27		NPO-SI 27	TCZ-27	C10Q27C	CCTO-270	CNO-427	10TCC-Q27	
C14	.047 125V 10%	#WN70134/G47K							
C15	.047 125V	#WN70134/G47K							
C16	4700		SI 4700	D6-4700	BYA10D47M	CCD-472	B-247	5HK-D47	
C17	.047 125V	#WN70134/G47K							
C18	150	Note 1	SI 150	D6-151	L10T15	CCD-141	B-315	10T8-T15	

Norelco Part Number

Note 1. Not used in some versions.

CONTROLS

ITEM No.	RATING		REPLACEMENT DATA					INSTALLATION NOTES
	RESISTANCE	WATTS	NORELCO PART No.	CENTRALAB PART No.	CLAROSTAT PART No.	CTS-IRC PART No.	MALLORY PART No.	
R1	10K	1/4	B151406					Volume and Switch

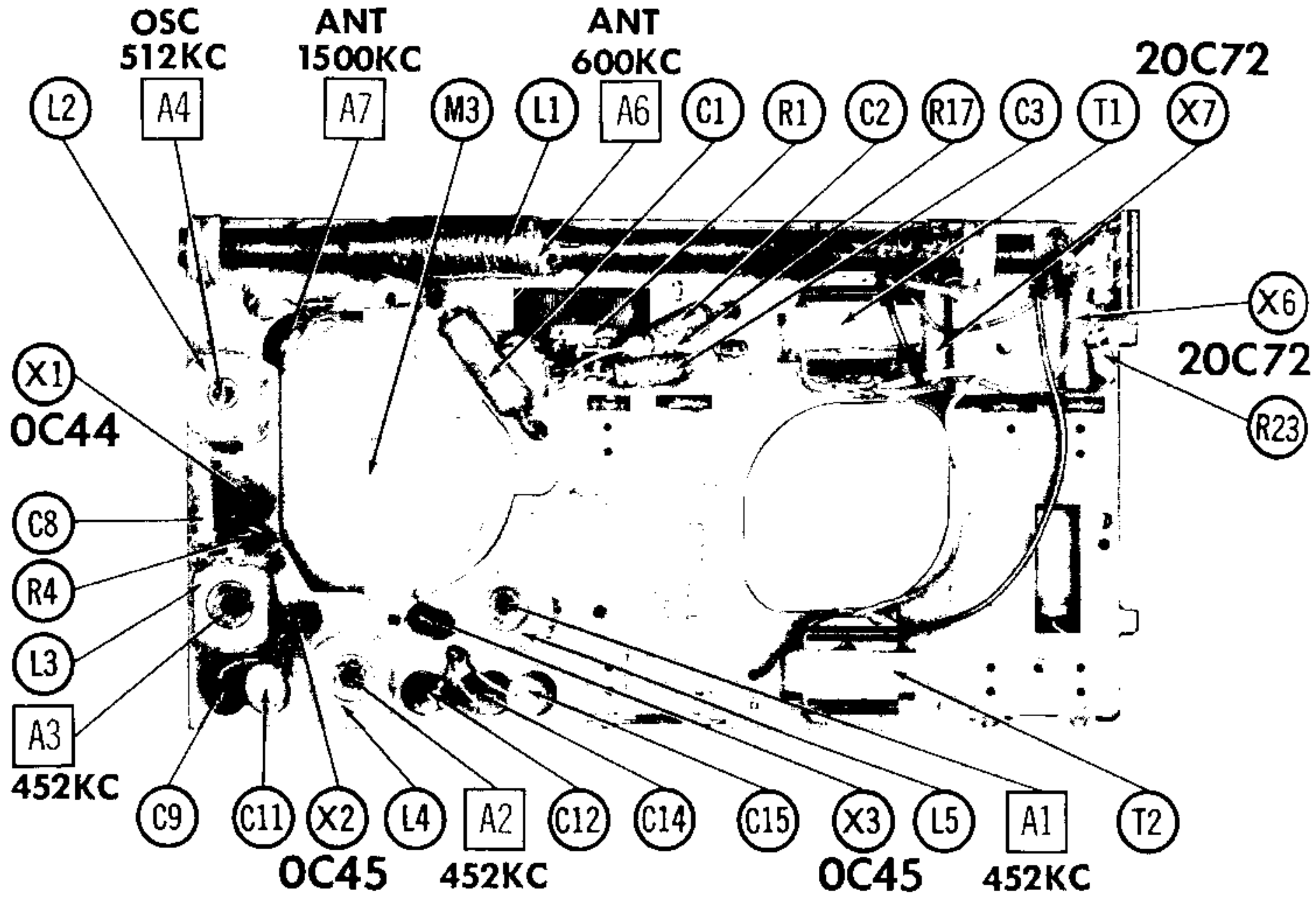
RESISTORS (IRC or EQUIVALENT)

All wattages 1/2 watt, or less, unless otherwise listed.

ITEM No.	RATING	REMARKS	ITEM No.	RATING	REMARKS	ITEM No.	RATING	REMARKS
R2	3300Ω	Note 1	R11	15K		R20	12K	Note 1
R3	12K		R12	1000Ω		R21	1000Ω	
R4	18Ω		R13	1000Ω		R22	3000Ω	
R5	3300Ω		R14	680Ω		R23	3600Ω	
R6	180K		R15	3300Ω		R24	100Ω	
R7	15K		R16	22K		R25	10Ω	
R8	560Ω		R17	1000Ω		R26	270Ω	
R9	1000Ω		R18	2700Ω		R27	220Ω	
R10	4700Ω		R19	3300Ω				

Note 1. Not used in some versions.

CHASSIS—TOP VIEW



PARTS LIST AND DESCRIPTIONS (Continued)

COILS (RF-IF)

ITEM No.	USE	REPLACEMENT DATA				NOTES
		NORELCO PART No.	Merit PART No.	Miller PART No.	Stancor PART No.	
L1	Loopstick	A380362				
L2	Osc. Coil	A312865				
L3	1st IF Trans.	A312866				
L4	2nd IF Trans.	A312866				
L5	3rd IF Trans.	A312867				

TRANSFORMER (DRIVER)

ITEM No.	TURNS RATIO		REPLACEMENT DATA					NOTES
			NORELCO PART No.	Merit PART No.	Stancor PART No.	Thordarson PART No.	Triad PART No.	
	PRI.	SEC.						
T1	1.7	1	A316203					

TRANSFORMER (AUDIO OUTPUT)

ITEM No.	IMPEDANCE		REPLACEMENT DATA					NOTES
	PRI.	SEC.	NORELCO PART No.	Merit PART No.	Stancor PART No.	Thordarson PART No.	Triad PART No.	
T2	320Ω CT	3-4Ω	A316390					

SPEAKER

ITEM No.	TYPE			REPLACEMENT DATA		NOTES
	SIZE	FIELD	V. C. IMP.	NORELCO PART No.	QUAM PART No.	
SP1	2½"	PM	3-4Ω	AD2200Z	25A07Z4.8	

BATTERIES

ITEM No.	VOLTAGE	NORELCO PART No.	REPLACEMENT DATA						NOTES
			BURGESS		EVEREADY		MALLORY		
			"A"	"B"	"A"	"B"	"A"	"B"	
M1	1.5V			930 *		1015 *		M-15R *	* 4 Required

CRYSTAL DIODES

ITEM No.	ORIG. TYPE	REPLACEMENT DATA			NOTES
		NORELCO PART No.	RAYTHEON PART No.	SYLVANIA PART No.	
M2	OA79		1N295	1N295	Detector (Pigtail)

MISCELLANEOUS

ITEM No.	PART NAME	NORELCO PART No.	NOTES
M3	Tuning Cap.	4900222	2 Gang (Ant. 21-203mmf, Osc. 8-62mmf)

CABINETS & CABINET PARTS

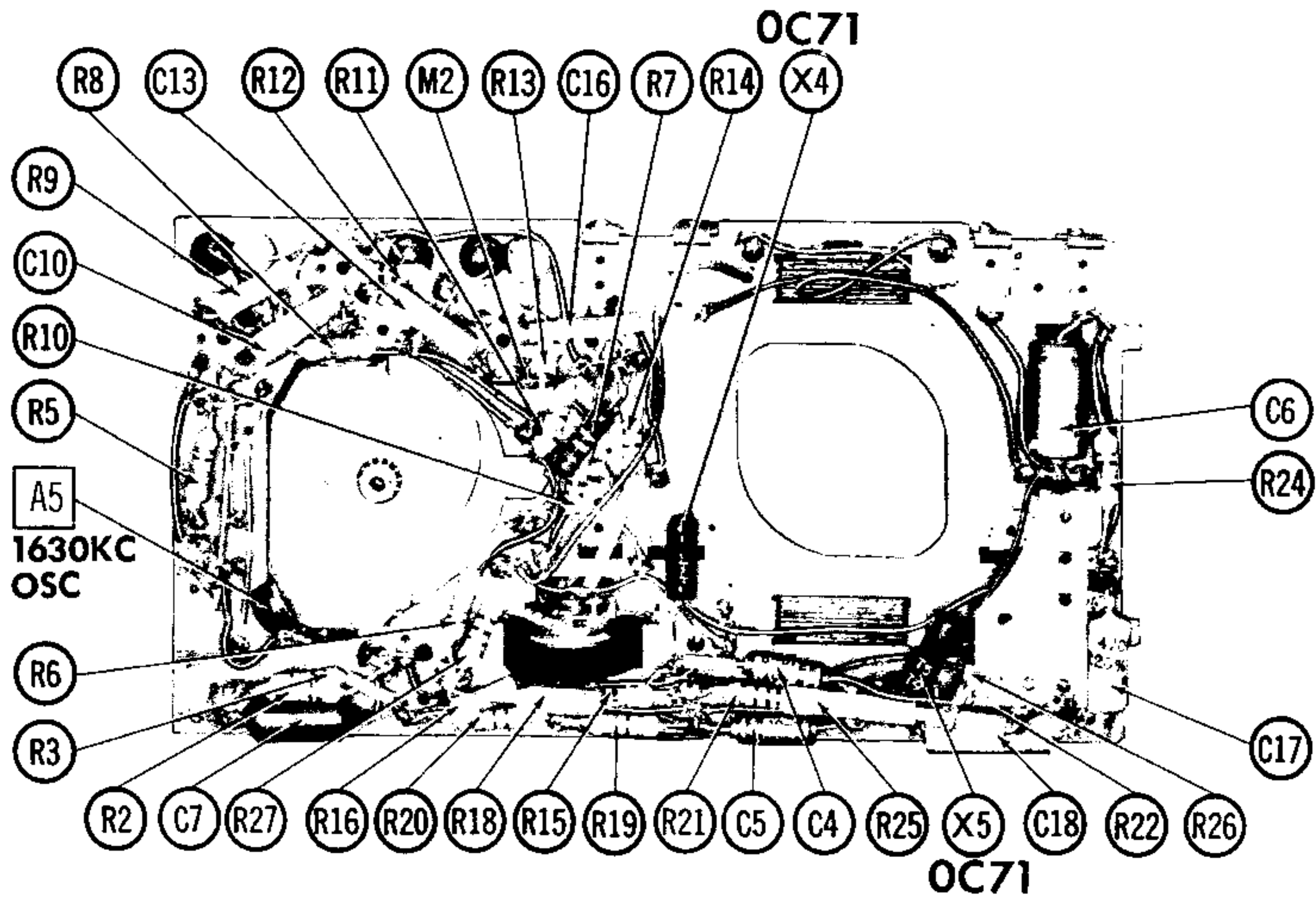
(When Ordering Cabinets & Cabinet Parts, Specify Model, Chassis & Color)

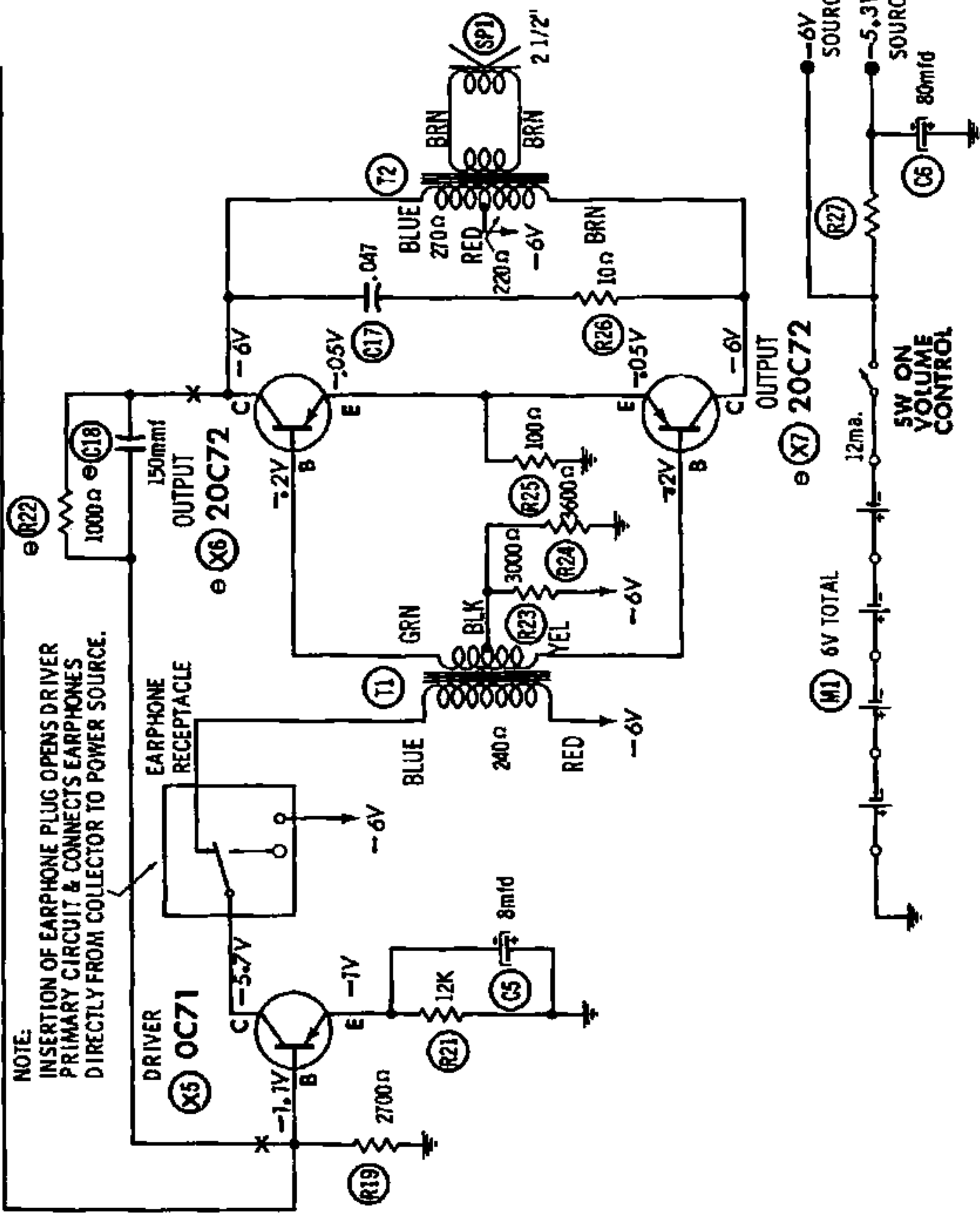
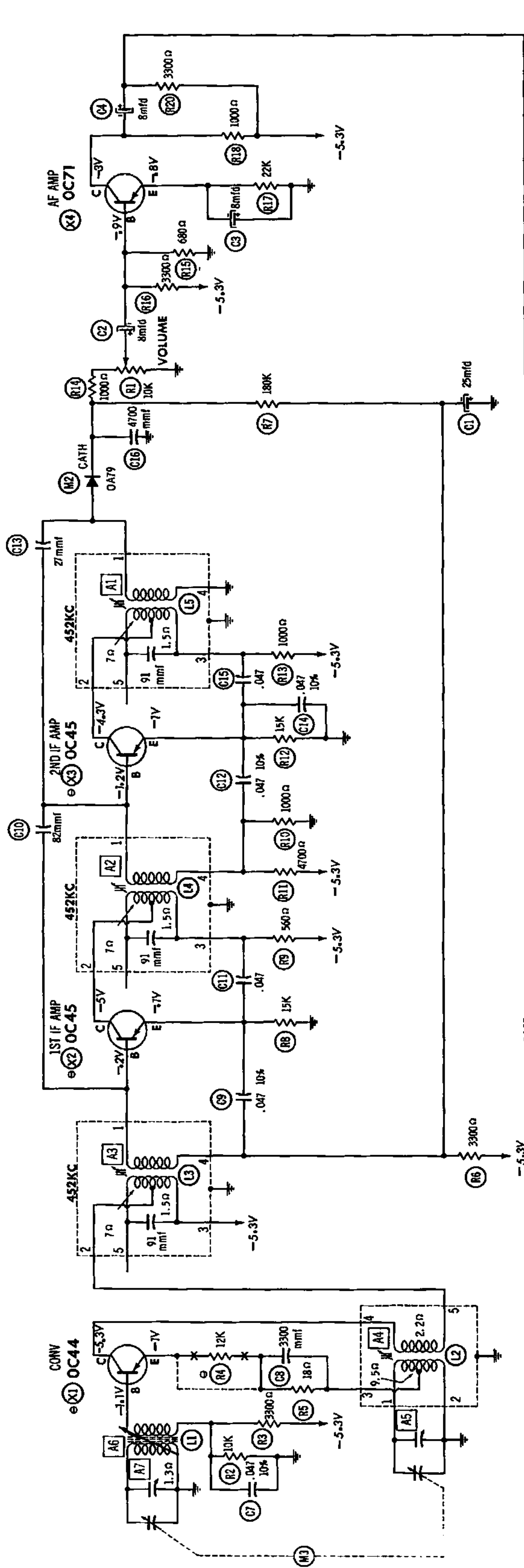
NAME	PART NO.	DESCRIPTION
Knob	A377261	Tuning Volume Overseas South
Knob	A377257	
Dial	A392569	
Dial	A392574	
Cabinet	A377964	

WIRING DATA

General-use Unshielded Hook-up Wire Use BELDEN No. 8530 (Solid) Available in Ten Colors
8524 (Stranded) Available in Ten Colors

CHASSIS — BOTTOM VIEW





NOTE:
 INSERTION OF EARPHONE PLUG OPENS DRIVER PRIMARY CIRCUIT & CONNECTS EARPHONES DIRECTLY FROM COLLECTOR TO POWER SOURCE.



1. DC voltage measurements taken with vacuum tube voltmeter.
2. Socket connections or transistor terminals are shown as bottom views.
3. Measured values are from socket pin or terminal to common ground.
4. Nominal tolerance on component values makes possible a variation of $\pm 15\%$ in voltage and resistance readings.
5. Volume control at maximum, no signal applied for voltage measurements.

NUMBERS ASSIGNED TO COILS, SWITCHES, PLUGS, SOCKETS, AND TRANSFORMERS ARE TO FACILITATE CIRCUIT TRACING OR COMPONENT REPLACEMENT AND MAY NOT NECESSARILY BE FOUND ON THE UNIT.

SEE PARTS LIST FOR ALTERNATE VALUE OR APPLICATION

DC COIL RESISTANCE VALUES UNDER ONE OHM NOT SHOWN ON SCHEMATIC DIAGRAM

RESISTANCE MEASUREMENTS NOT GIVEN BECAUSE OF THE WIDE VARIATION IN INTERNAL TRANSISTOR RESISTANCE.

A PHOTOFACT STANDARD NOTATION SCHEMATIC
 © Hewlett W. Sams & Co., Inc. 1960

NORELCO MODEL
 LIX75T/64R