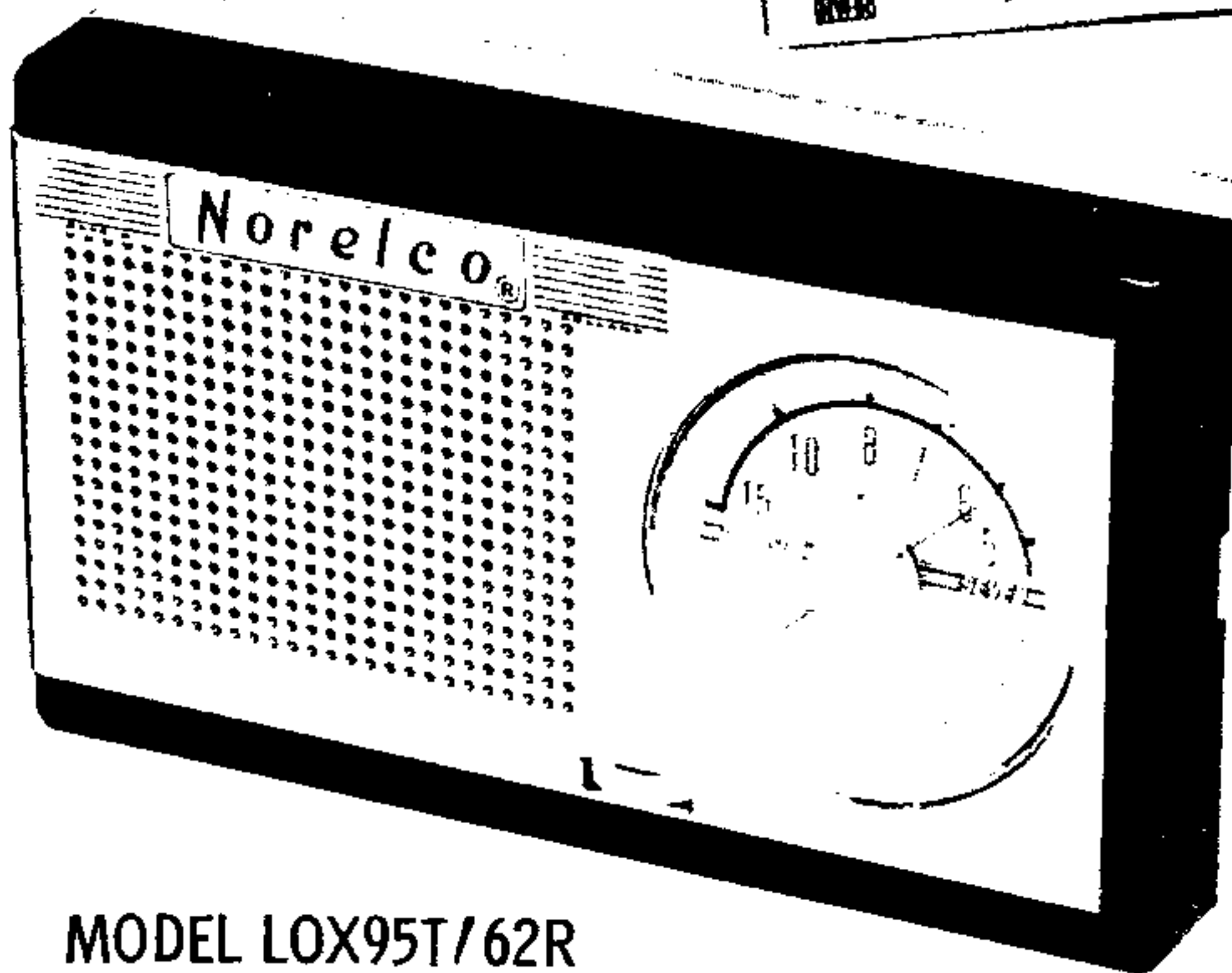
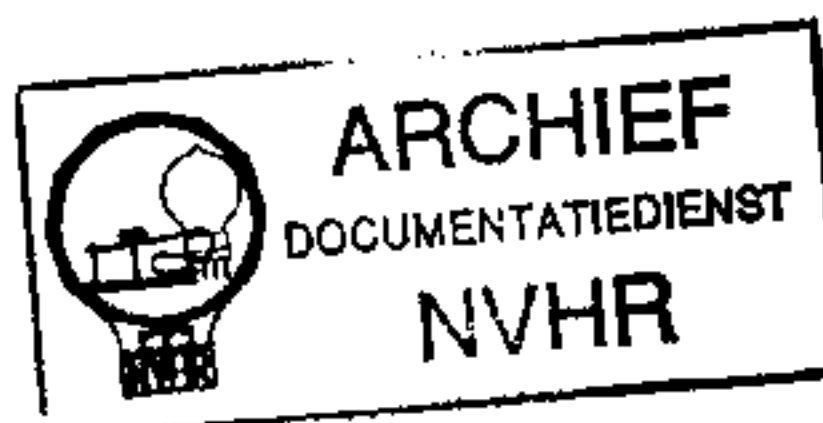




Met dank aan Jef Bos

Ned. Ver. v. Historie v/d Radio



MODEL LOX95T/62R

TRADE NAME	Norelco Models LOX95T/62D, LOX95T/62L, LOX95T/62R		
SUPPLIER	North American Philips Co., Inc., 100 E. 42nd Street, New York 17, N. Y.		
TYPE SET	Battery Operated Transistorized Portable AM Receiver		
POWER SUPPLY	4.5 Volts DC	RATING	9MA @ 4.5 Volts DC (No Signal, Min. Volume)
TUNING RANGE—BROADCAST	522 — 1622KC		15MA @ 4.5 Volts DC (Signal, Normal Volume)

ALIGNMENT INSTRUCTIONS

ALIGNMENT INSTRUCTIONS—READ CAREFULLY BEFORE ATTEMPTING ALIGNMENT

Volume control should be at maximum position. Output of signal generator should be no higher than necessary to obtain an output reading.

Suggested Alignment Tools: A4, A6... GENERAL CEMENT #5000, 5003, 8276, 8290
WALSCO #2512, 2515, 2522, 2523, 2525, 2537

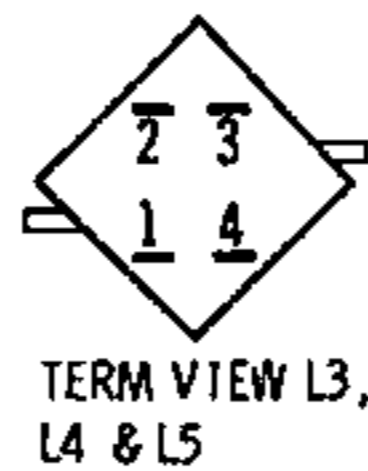
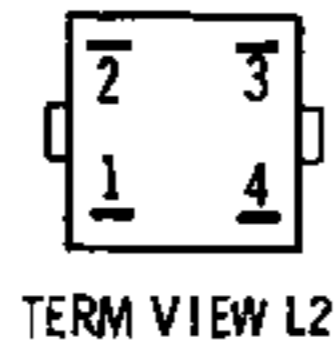
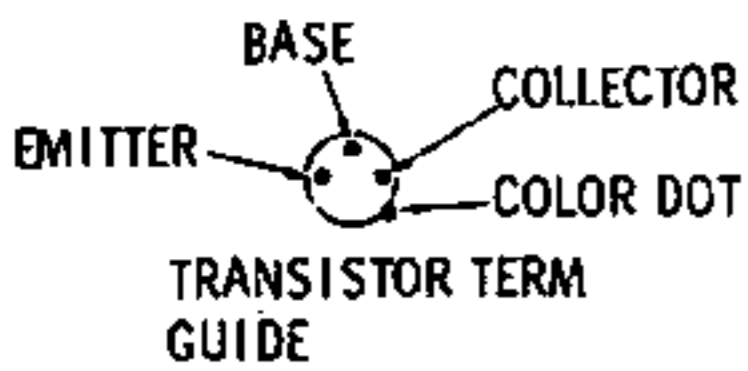
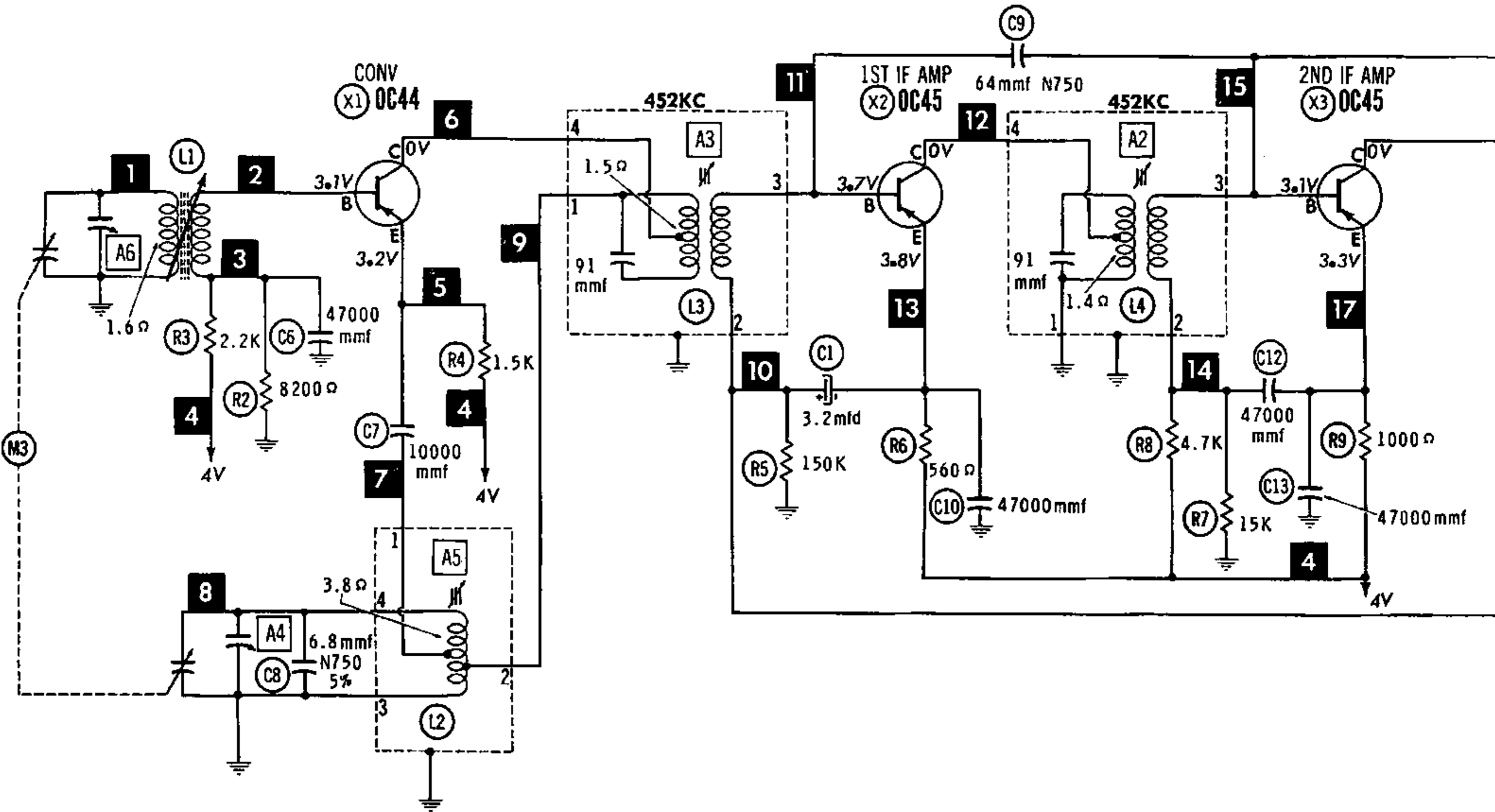
	SIGNAL GENERATOR COUPLING	SIGNAL GENERATOR FREQUENCY	RADIO DIAL SETTING	OUTPUT METER	ADJUST	REMARKS
1.	Loop	452KC (400% 30% AM)	Tuning gang fully open. (High end stop)	Across voice coll.	A1, A2, A3	Fashion loop of several turns of wire and radiate signal into loop of receiver. Adjust for maximum output.
2.	"	1635KC	"	"	A4	"
3.	"	600KC	600KC	"	A5	"
4.	"	1500KC	1500KC Signal.	"	A6	Adjust for maximum output. Repeat Steps 2, 3 and 4.

HOWARD W. SAM'S & CO., INC. Indianapolis 6, Indiana

The listing of any available replacement part herein does not constitute in any case a recommendation, warranty or guaranty by Howard W. Sams & Co., Inc., as to the quality and suitability of such replacement part. The numbers of these parts have been compiled from information furnished to Howard W. Sams & Co., Inc., by the manufacturers of KF588

the particular type of replacement part listed. Reproduction or use, without express permission, of editorial or pictorial content, in any manner, is prohibited. No patent liability is assumed with respect to the use of the information contained herein. © 1961 Howard W. Sams & Co., Inc., Indianapolis 6, Indiana. Printed in U.S. of America





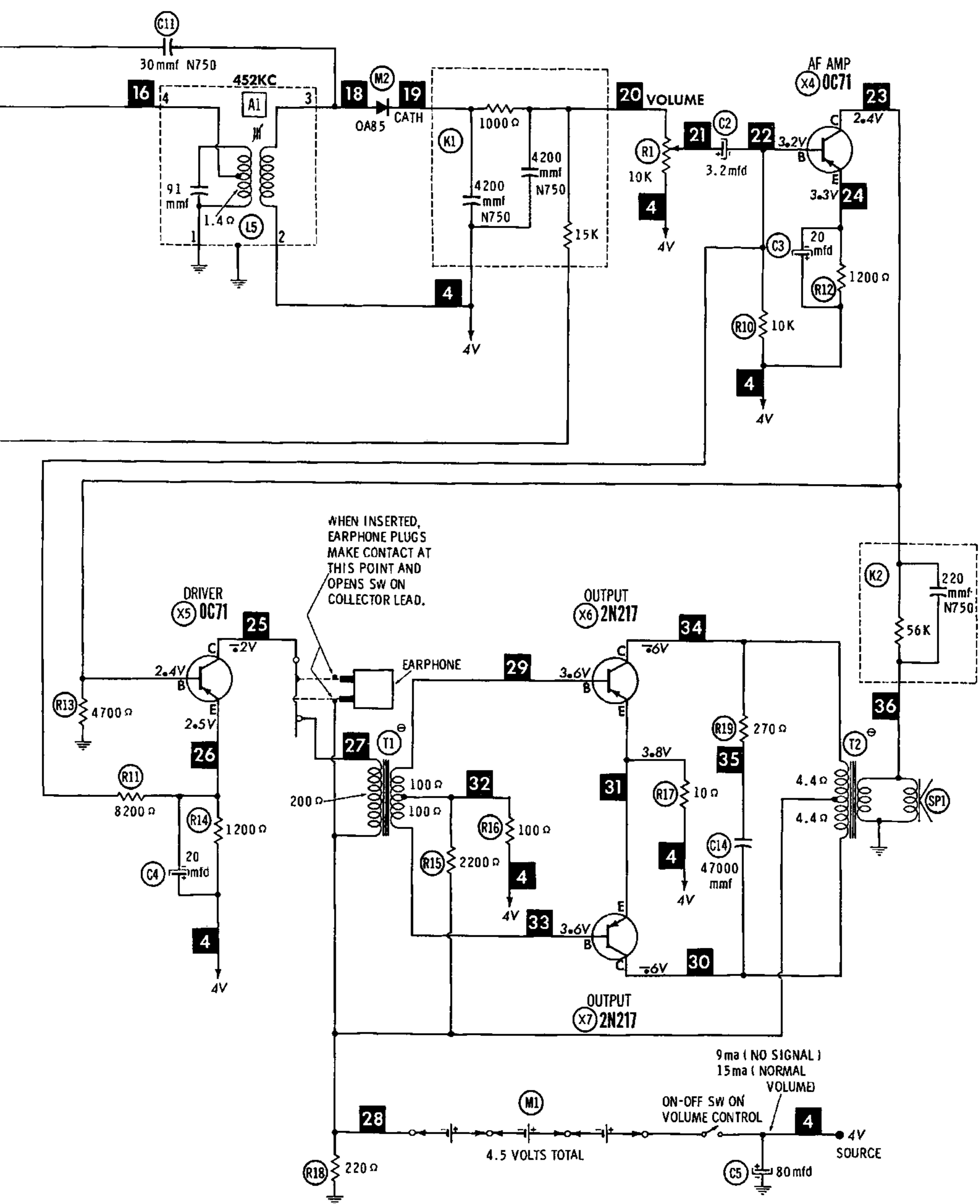
1. DC voltage measurements taken with vacuum tube voltmeter.
2. Socket connections or transistor terminals are shown as bottom views.
3. Measured values are from socket pin or terminal to common ground.
4. Nominal tolerance on component values makes possible a variation of $\pm 15\%$ in voltage and resistance readings.
5. Volume control at maximum, no signal applied for voltage measurements.

NUMBERS ASSIGNED TO COILS, SWITCHES, PLUGS, SOCKETS, AND TRANSFORMERS ARE TO FACILITATE CIRCUIT TRACING OR COMPONENT REPLACEMENT AND MAY NOT NECESSARILY BE FOUND ON THE UNIT.

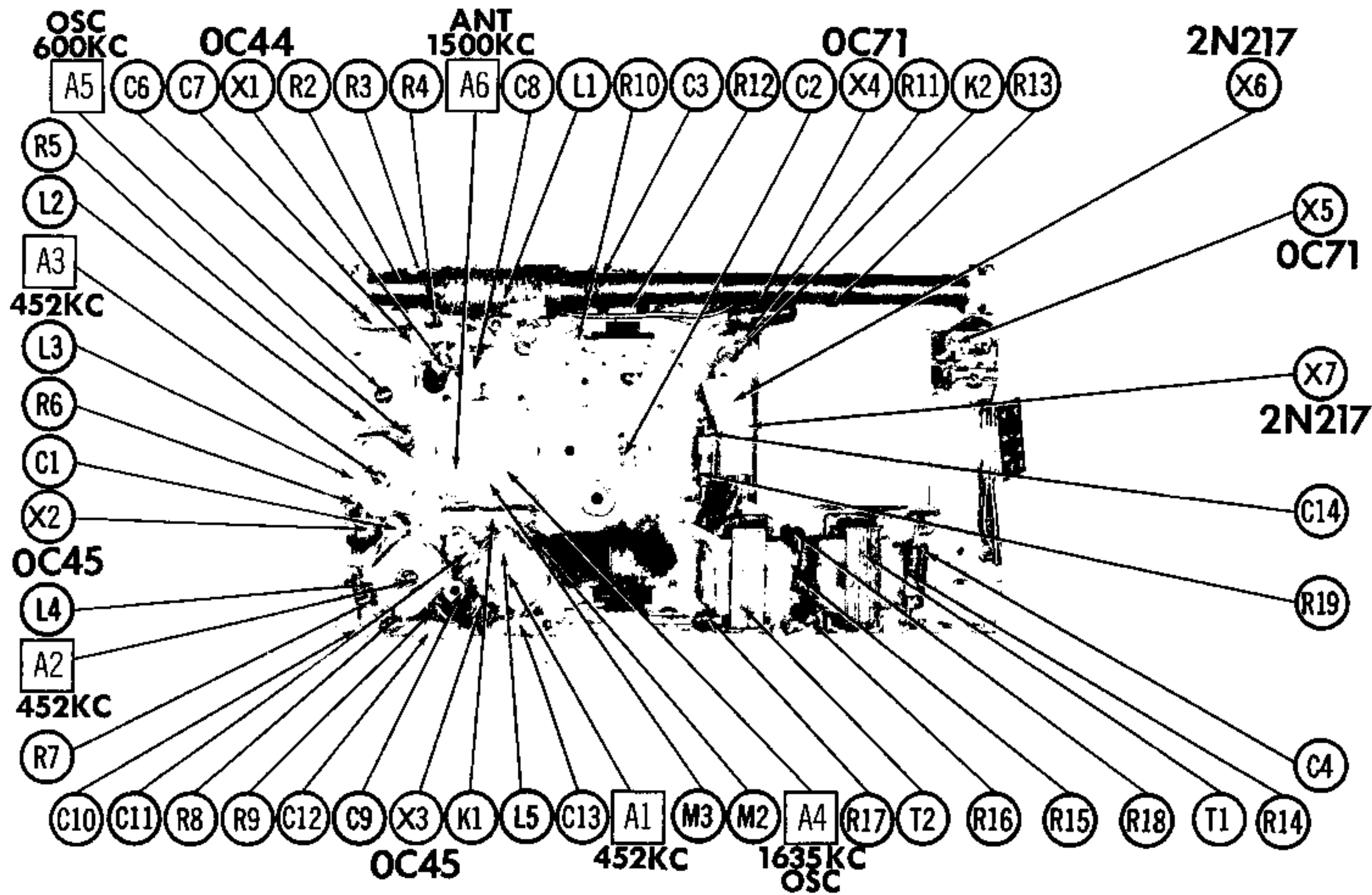
RESISTANCE MEASUREMENTS NOT GIVEN BECAUSE OF THE WIDE VARIATION IN INTERNAL TRANSISTOR RESISTANCE.

⊕ SEE PARTS LIST FOR ALTERNATE VALUE OR APPLICATION

DC COIL RESISTANCE VALUES UNDER ONE OHM NOT SHOWN ON SCHEMATIC DIAGRAM



**NORELCO MODELS LOX95T/62D,
LOX95T/62L, LOX95T/62R**



CHASSIS TOP VIEW

PARTS LIST AND DESCRIPTIONS

TRANSISTORS

ITEM No.	ORIG. TYPE	USE	REPLACEMENT DATA			NOTES
			RCA PART No.	RAYTHEON PART No.	SYLVANIA PART No.	
X1	OC44	Converter		2N486	2N412	PNP
X2	OC45	1st IF Amplifier		2N483	2N410	PNP
X3	OC45	2nd IF Amplifier		2N483	2N410	PNP
X4	OC71	AF Amplifier	2N406	2N362	2N406	PNP
X5	OC71	Driver	2N406	2N362	2N406	PNP
X6	2N217	Output	2N407	2N631	2N217	PNP
X7	2N217	Output	2N407	2N631	2N217	PNP

ELECTROLYTIC CAPACITORS

ITEM No.	RATING		REPLACEMENT DATA						NOTES
	CAP.	VOLT.	NORELCO PART No.	AEROVOX PART No.	CORNELL-DUBILIER PART No.	MALLORY PART No.	PYRAMID PART No.	SPRAGUE PART No.	
C1	3.2	6.4	C426AE/G3.2	PTT36	NLW4-15	TT12X3	MLV5-12	TE-1082	
C2	3.2	6.4	C426AD/C3.2	PTT36	NLW4-15	TT12X3	MLV5-12	TE-1082	
C3	20	6.4	C426AM/C20	PTT41	NLW20-6	TT15X20	MLV20-12	TE-1090	
C4	20	6.4	C426AM/C20	PTT41	NLW20-6	TT15X20	MLV20-12	TE-1090	
C5	80	6.4	C426AM/C80	PTT46	NLW75-10	TT6X80	MLV100-10	TE-1101.5	

FIXED CAPACITORS

Capacity values given in the rating column are in mfd. for Paper Capacitors, and in mmfd. for Mica and Ceramic Capacitors.

ITEM No.	RATING	REMARKS	REPLACEMENT DATA					
			AEROVOX PART No.	CENTRALAB PART No.	CORNELL-DUBILIER PART No.	ELMENCO PART No.	MALLORY PART No.	SPRAGUE PART No.
C6	47000		C80V503AM	DA-503	H-0585		TA-150	TG-S50
C7	10000		C80V103AM	DM-103	H-05S1		TA-110	TG-S10
C8	6.8 N750 5%				C10V68U		CN7-568	
C9	64 N750		N750-SI 62	TCN-62	C10Q62U	CCTN-620		
C10	47000		C80V503AM	DA-503	H-05S5		TA-150	TG-S50
C11	30 N750		N750-SI 30	TCN-30	C10Q3U	CCTN-330	CN7-430	10TCU-Q33
C12	47000		C80V503AM	DA-503	H-05S5		TA-150	TG-S50
C13	47000		C80V503AM	DA-503	H-0585		TA-150	TG-S50
C14	47000		C80V503AM	DA-503	H-05S5		TA-150	TG-S50

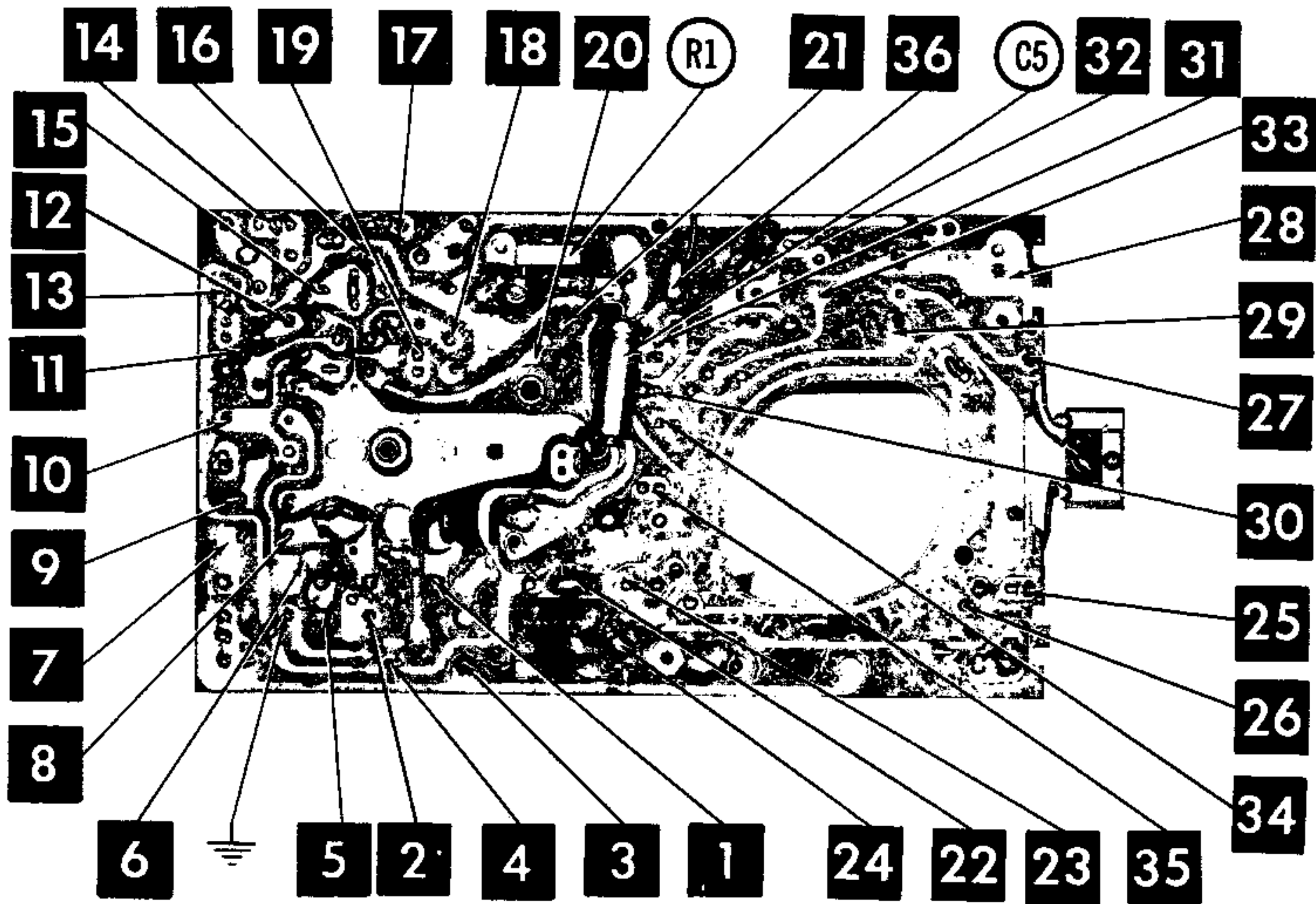
CONTROLS

ITEM No.	RATING		REPLACEMENT DATA				INSTALLATION NOTES	
	RESISTANCE	WATTS	NORELCO PART No.	CENTRALAB PART No.	CLAROSTAT PART No.	CTS-IRC PART No.		MALLORY PART No.
R1	10K	1/10	B151487					Volume & Switch

RESISTORS

All wattages 1/2 watt, or less, unless otherwise listed.

ITEM No.	RATING	REPLACEMENT DATA			ITEM No.	RATING	REPLACEMENT DATA		
		IRC PART No.	WORKMAN TV PART No.	REMARKS			IRC PART No.	WORKMAN TV PART No.	REMARKS
R2	8200Ω				R11	8200Ω			
R3	2200Ω				R12	1200Ω			
R4	1500Ω				R13	4700Ω			
R5	150K				R14	1200Ω			
R6	560Ω				R15	2200Ω			
R7	15K				R16	100Ω			
R8	4700Ω				R17	10Ω			
R9	1000Ω				R18	220Ω			
R10	10K				R19	270Ω			



PARTS LIST AND DESCRIPTIONS (Continued)

COMPONENT COMBINATIONS

ITEM No.	USE	DESCRIPTION	NORELCO PART No.	REPLACEMENT DATA
K1	Diode RF Filter	4200mmf, 4200mmf, 1000Ω, 15K (N750)	2P72524	
K2	Feedback Coupling	220mmf, 56K (N750)	2P72522	

COILS (RF-IF)

ITEM No.	USE	REPLACEMENT DATA				NOTES
		NORELCO PART No.	Merit PART No.	Miller PART No.	Workman TV PART No.	
L1	Loopstick	A398648				
L2	Obc.	A312976				
L3	1st IF	A312960				
L4	2nd IF	A312980				
L5	3rd IF	A312961				

TRANSFORMER (DRIVER)

ITEM No.	TURNS RATIO		REPLACEMENT DATA			NOTES
	PRI.	SEC.	NORELCO PART No.	Merit PART No.	Thorndarson PART No.	
T1	1.2	1	A316218, 2①	TA-30		① Alternate Part #A316218

TRANSFORMER (AUDIO OUTPUT)

ITEM No.	IMPEDANCE		REPLACEMENT DATA			NOTES
	PRI.	SEC.	NORELCO PART No.	Merit PART No.	Thorndarson PART No.	
T2	250Ω CT	10-12Ω	A315422, 1 ①	TA-20②	TR-15 ②	① Alternate Part # A315422 ② Remove Frame

SPEAKER

ITEM No.	TYPE		REPLACEMENT DATA		NOTES
	SIZE	FIELD	NORELCO PART No.	QUAM PART No.	
SP1	2 1/2"	PM	AD2216Z		

BATTERIES

ITEM No.	VOLTAGE	NORELCO PART No.	REPLACEMENT DATA			NOTES
			BURGESS	EVEREADY	MALLORY	
M1	1.5V		"A" 930 *	"B" 10J5 *	"A" "B" M-15R*	* 3 Required

SIGNAL DIODES

ITEM No.	ORIG. TYPE	REPLACEMENT DATA			NOTES
		NORELCO PART No.	GENERAL ELECTRIC PART No.	RAYTHEON PART No.	
M2	OA85		1N60	1N60	SYLVANIA PART No. 1N60 Detector (Pigtail)

MISCELLANEOUS

ITEM No.	PART NAME	NORELCO PART No.	NOTES

CABINETS & CABINET PARTS

(When Ordering Cabinets & Cabinet Parts, Specify Model, Chassis & Color)

NAME	PART NO.	DESCRIPTION
Window Dial Knob Cabinet Cabinet	A376340 928/ LOX95T A378401 P525007/350/FC P525007/350/JT P525007/350/HA	Model LOX95T/62D Model LOX95T/62L Model LOX95T/62R

WIRING DATA

General-use Unshielded Hook-up Wire Use BELDEN No. 8530 (Solid) Available in Ten Colors
8524 (Stranded) Available in Ten Colors