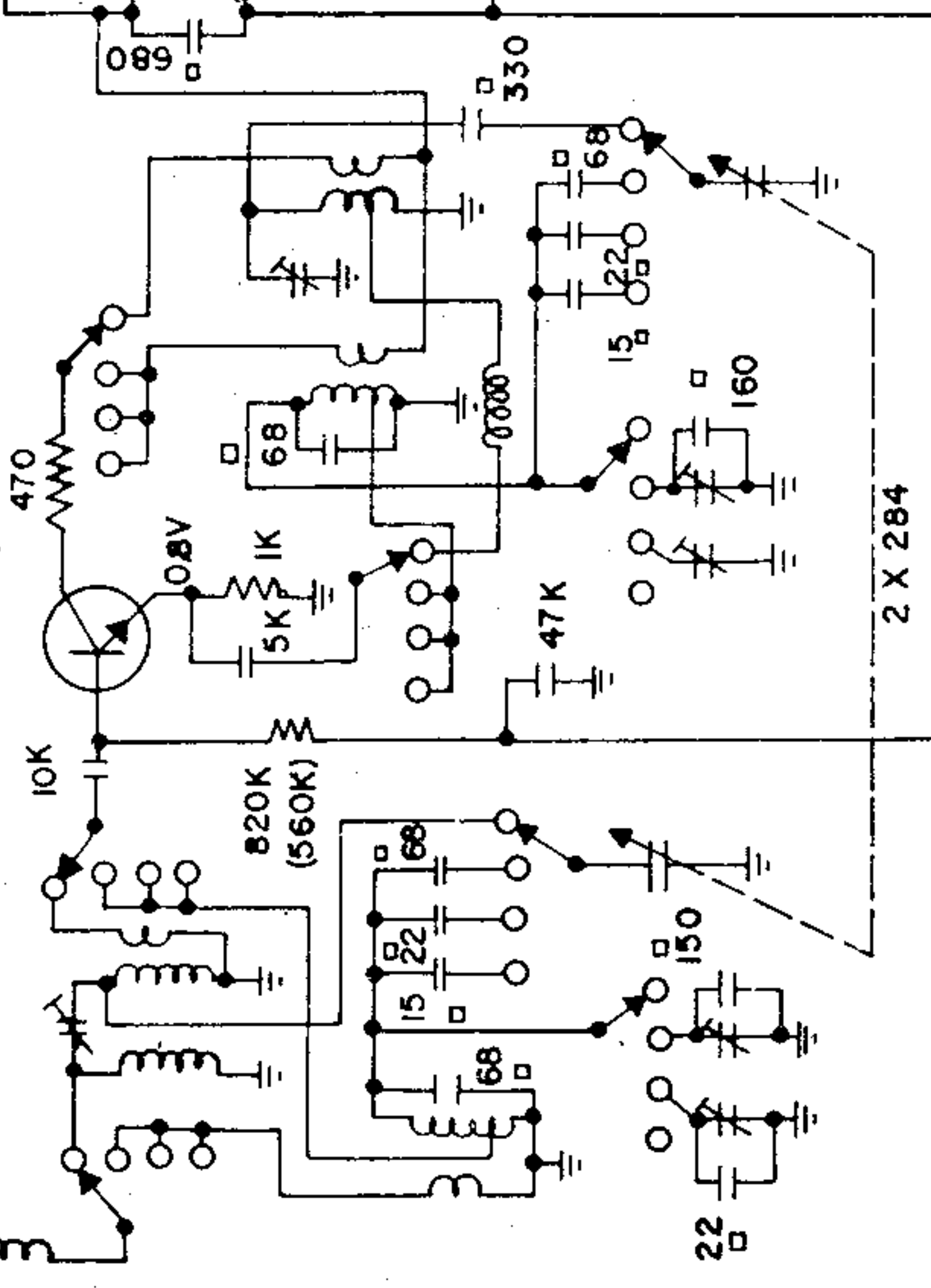


AR 43

TR-1

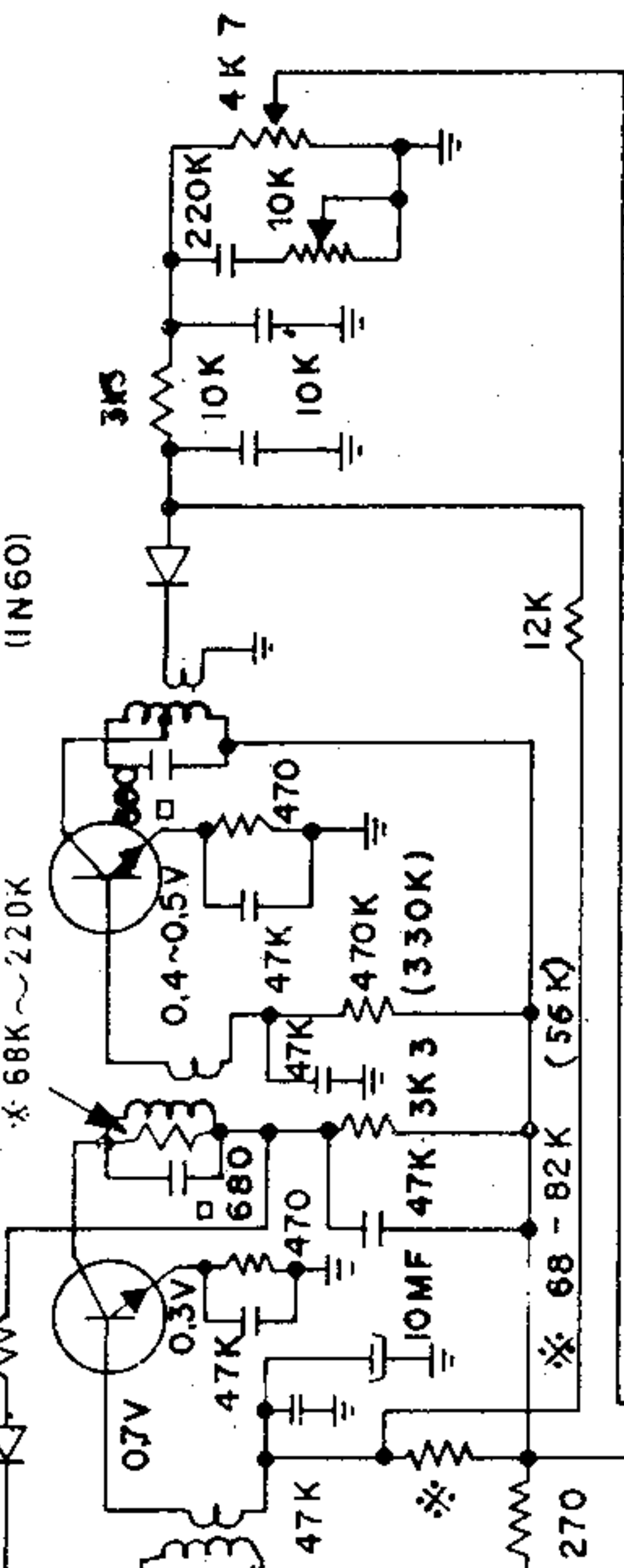
BF 254 (B)  
2SC460 (B)



TR-2

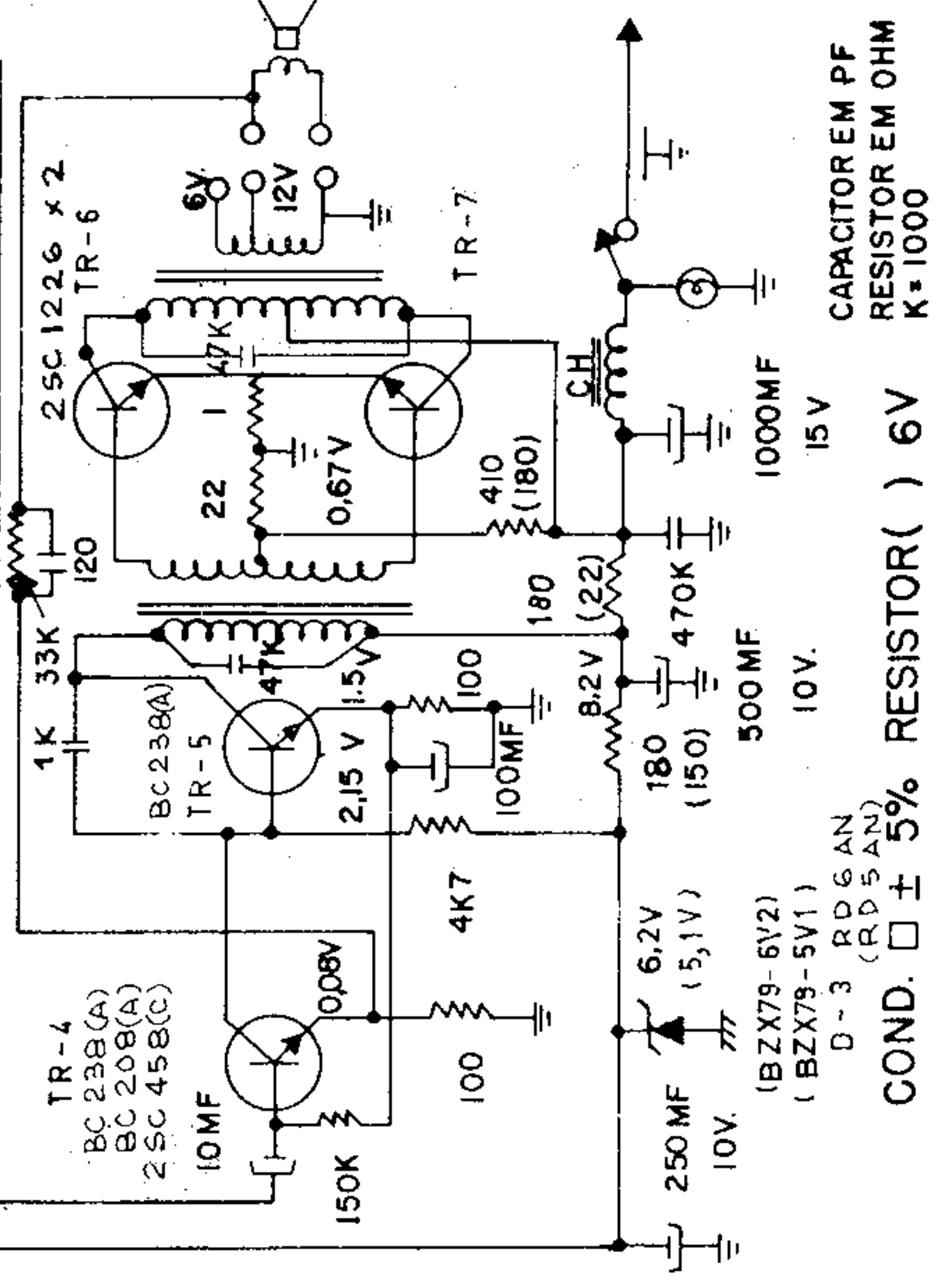
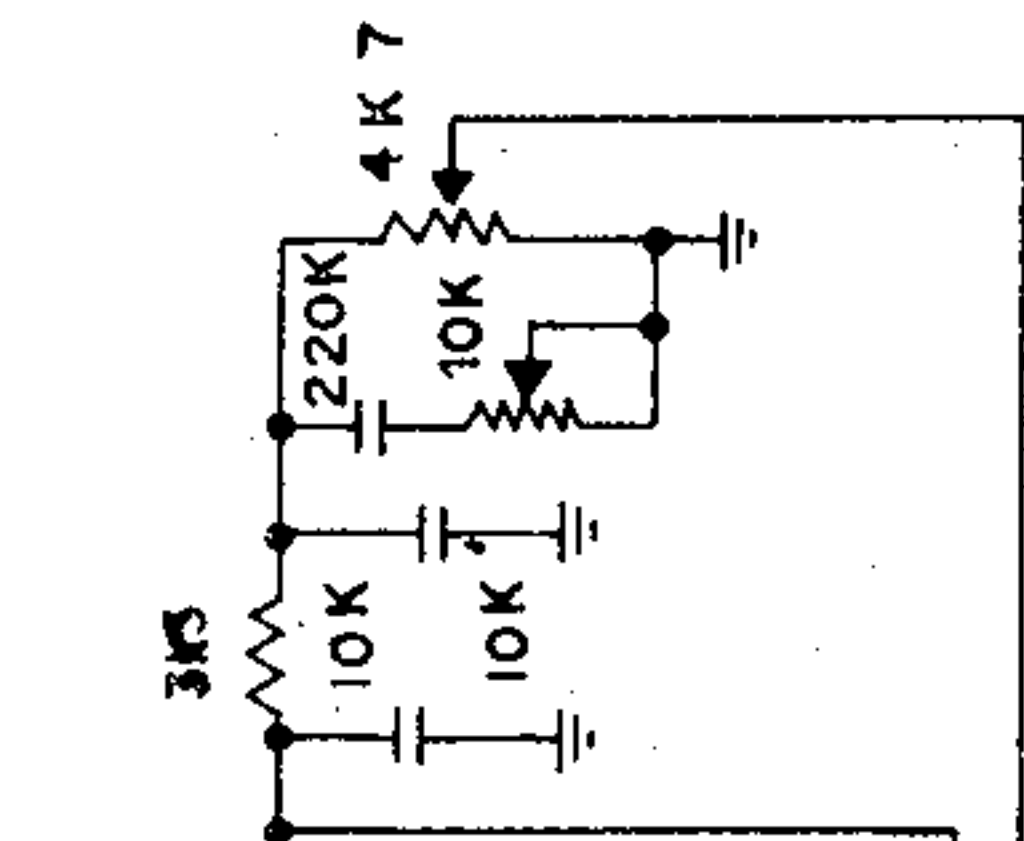
BC 238(A)  
2SC460(C)

D-2 (1N60)



TR-3

BC 238(A)  
2SC460(C)



CAPACITOR EM PF  
RESISTOR EM OHM  
K = 1000

COND. □ ± 5% RESISTOR ( ) 6V

F.I. 455 KHZ  
OM. 530 ~ 1.630 KHZ  
49M. 5.85 ~ 6.30 MHZ  
31M. 9.40 ~ 9.90 MHZ  
25M. 11.52 ~ 12.10 MHZ

BC EBC EBC EBC  
BF 254 BC 238 2SC460 BC208

BC E 25C1226

NISSEI S.A. IND. COM.
MODELO AR 42.43
DATA APROV.
10-1-71