

Ned. Ver. v. Historie v/d Radio

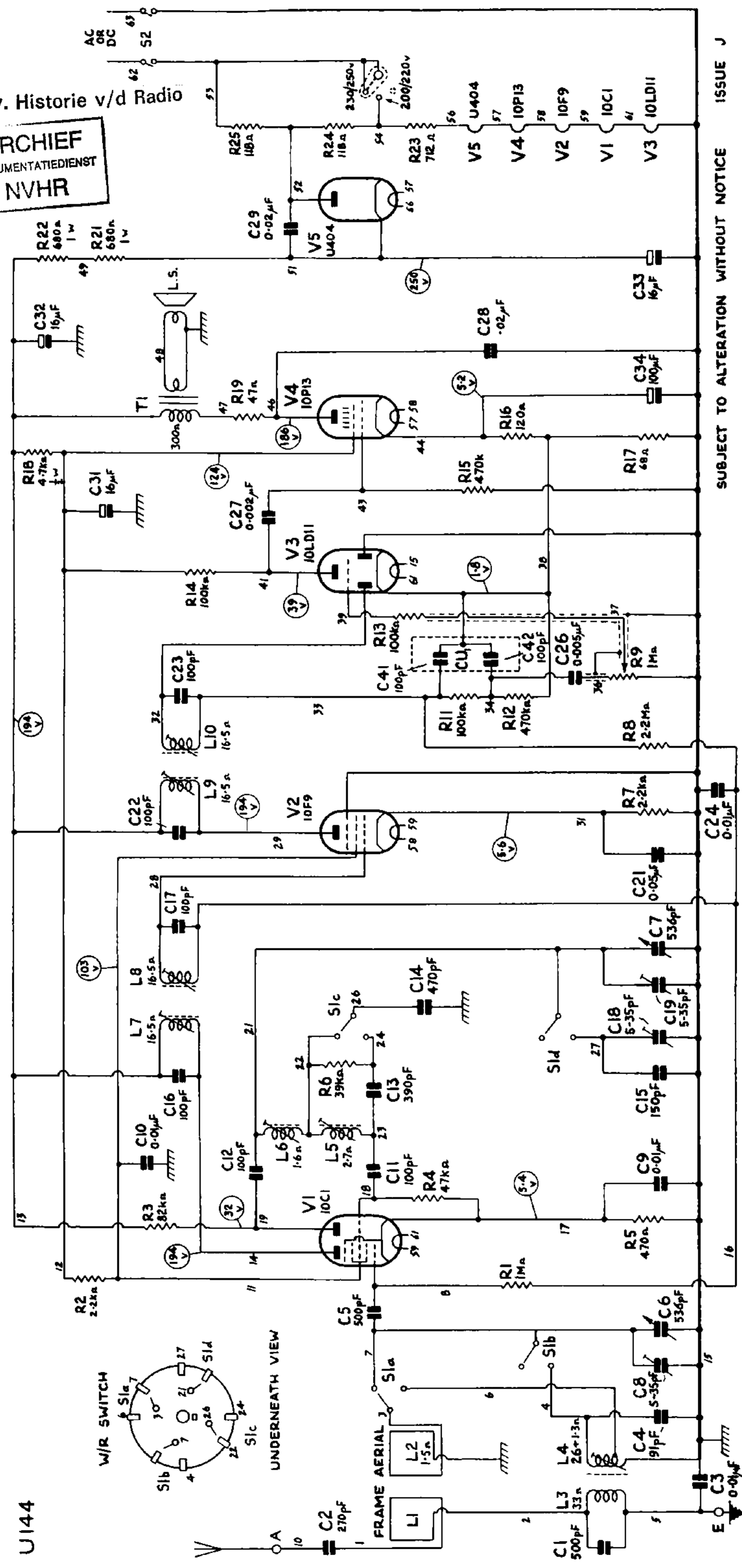
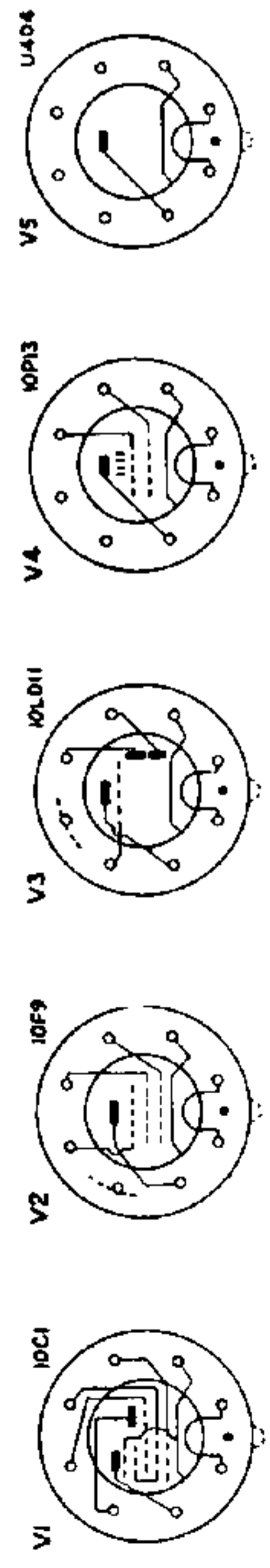


Fig. 3

SUBJECT TO ALTERATION WITHOUT NOTICE ISSUE J



A 500 ohm volt meter was used for taking the voltage readings; the receiver was switched to the medium wave band and operating under "no signal" conditions. In those cases where the resistance of a coil is omitted, the value is less than one ohm. The wave range switch is shown in the m. w. position.