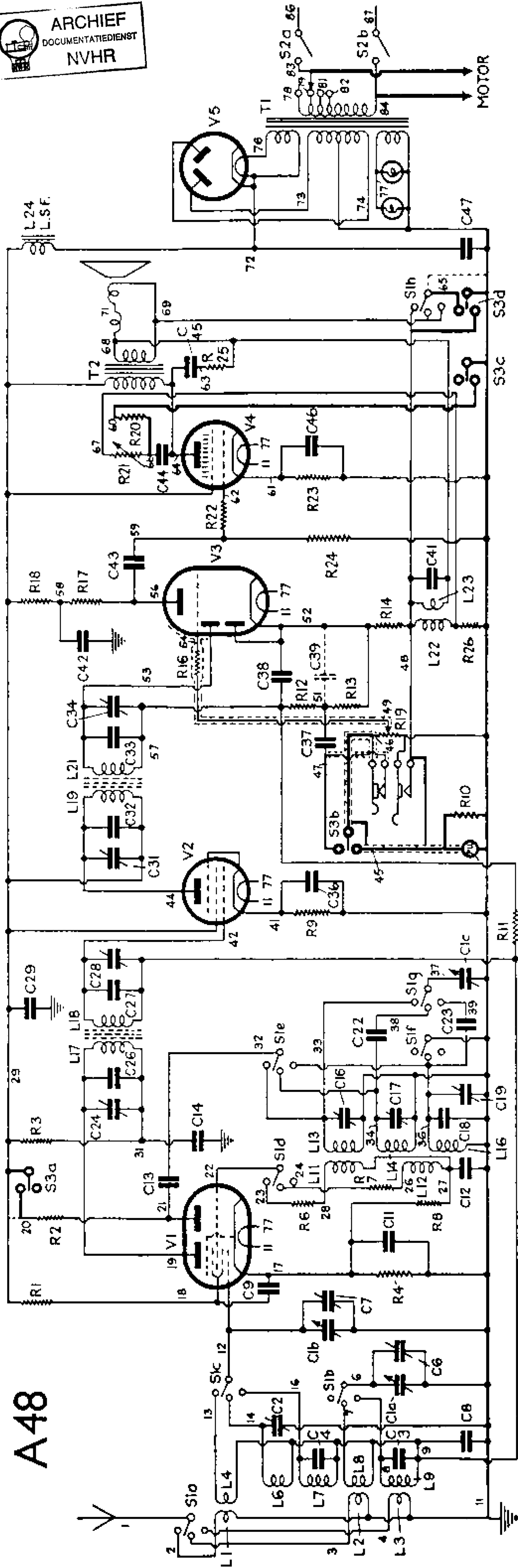
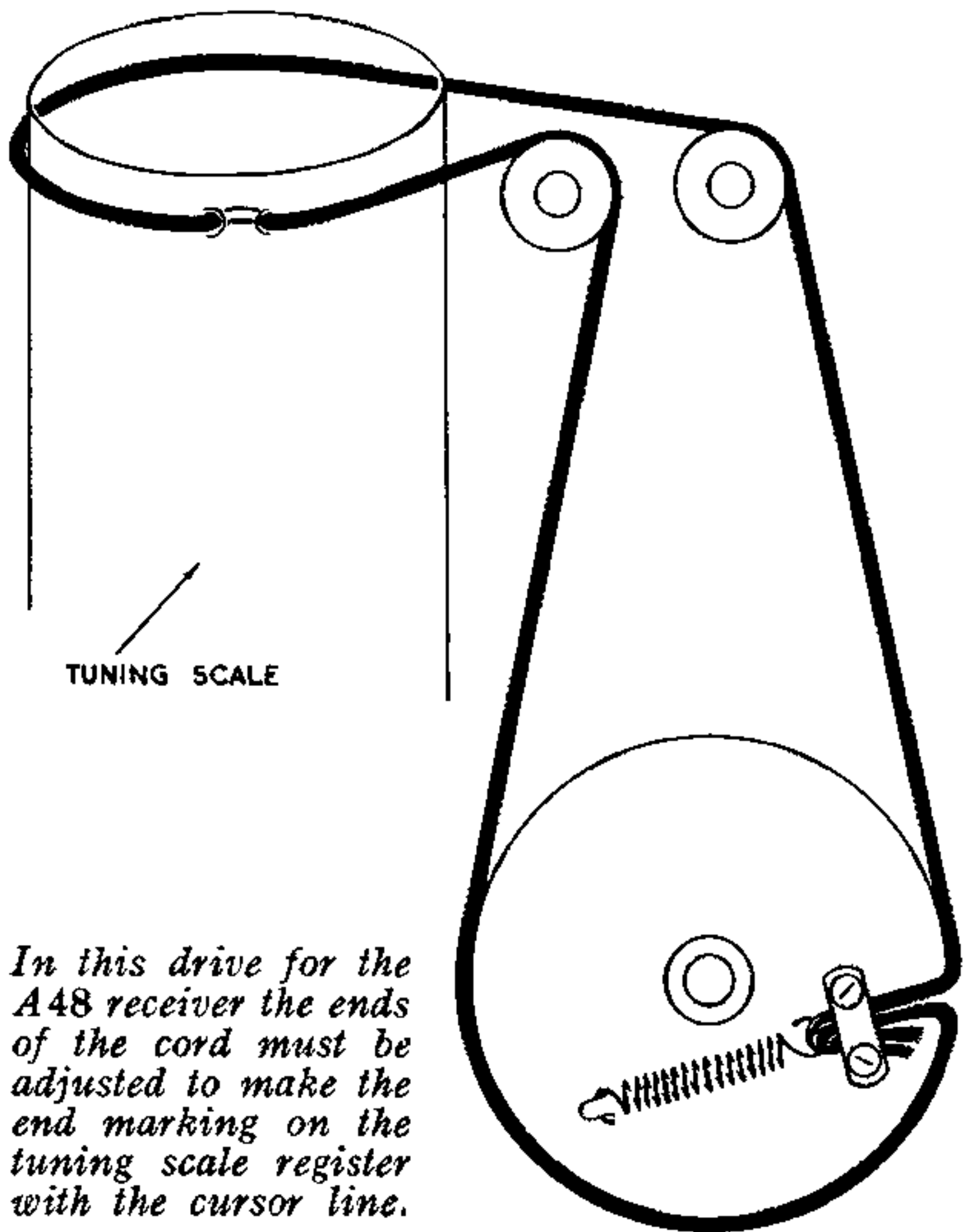


A48





In this drive for the A48 receiver the ends of the cord must be adjusted to make the end marking on the tuning scale register with the cursor line.