

CIRCUIT DIAGRAM

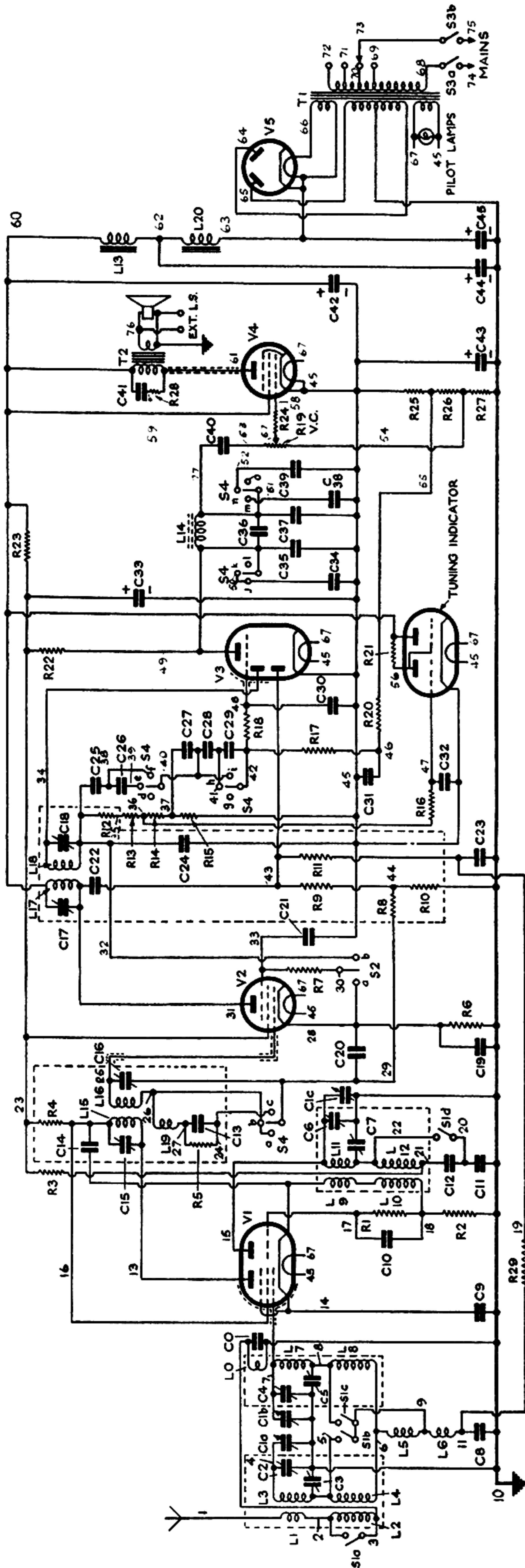


TABLE OF VOLTAGES

COMPONENT	TYPE	ELECTRODE	TEST POINT	IN SQUARE	VOLTAGE
					No Signal Strong Signal
V1	Mazda AC/TP	Pentode Anode	13	14 H	200
		Screen	16	14 H	216
		Cathode	14	15 G	4
V2	Mazda AC/VP2	Triode Anode	15	15 G	80
		Anode	31	11 J	236
		Screen	23	11 K	200
V3	Mazda AC/HLDD	Cathode	28	11 K	2
		Anode	49	6 J	118
V4	Mazda AC/4 Pen	Cathode	45	6 J	17
		Anode	61	3 J	224
		Screen	60	4 J	236
V5	Mazda UU4	Cathode	45	3 J	16
		Anode	63	2 G	334
		Anode	56	27 V	32
Tuning Indicator	Mazda AC/ME	Anode	60	26 W	236
		Cathode	45	26 V	16
		Anode	45	26 V	17