

A146C RECEIVER

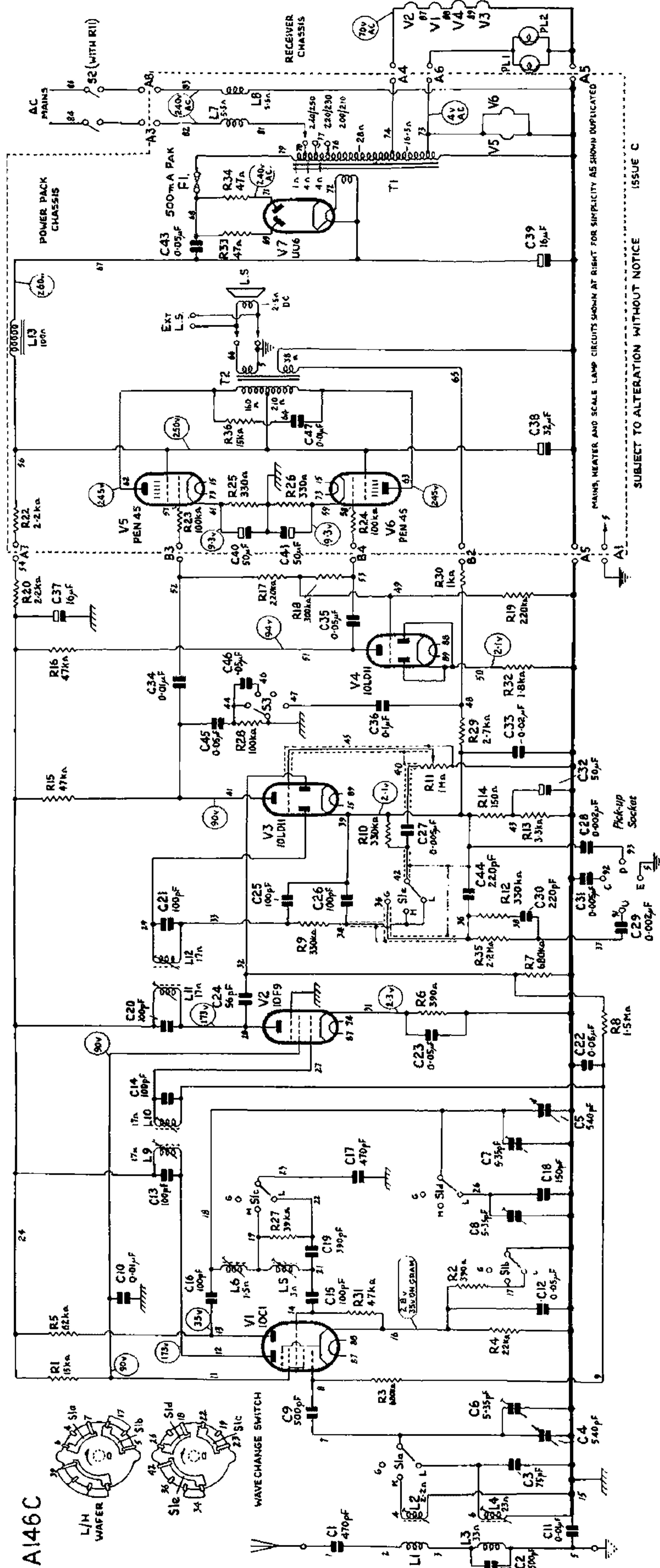
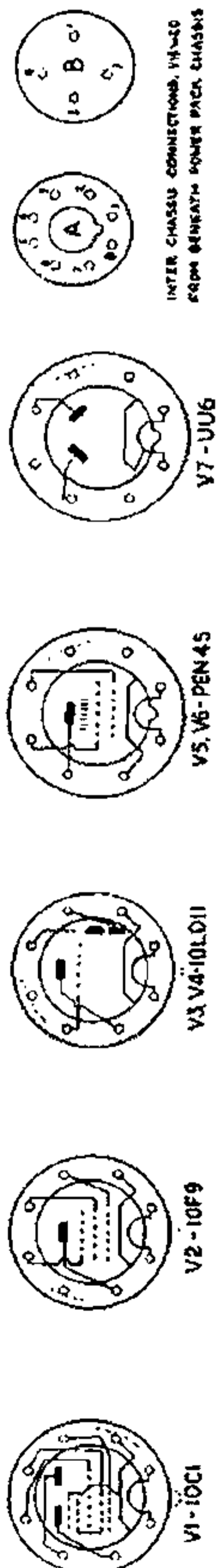


Fig. 8



A 500 ohm voltmeter was used for taking the voltage readings; the receiver was switched to the medium wave band and operating under "no signal" conditions. In those cases where the resistance of a coil is omitted, the value is less than one ohm. The wave range switch is shown in the long wave position.