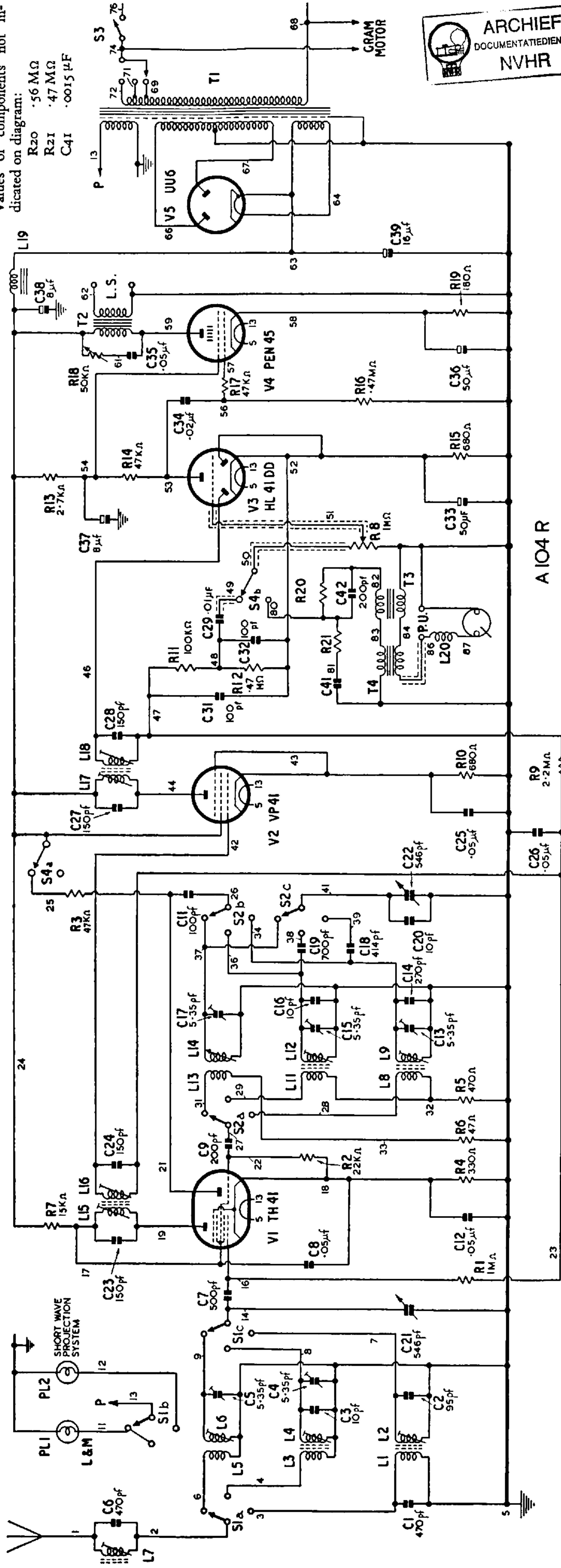
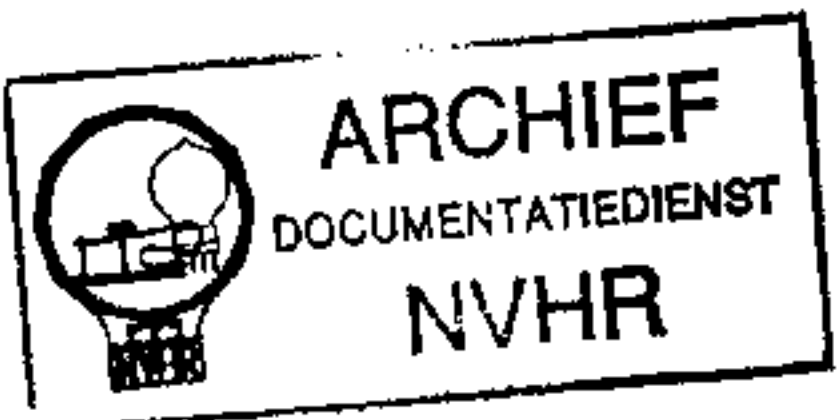


Values of components not indicated on diagram:

- R20 .56 MΩ
- R21 .47 MΩ
- C41 .0015 μF



Ned. Ver. v. Historie v/d Radio



A104R

Component values are subject to alteration without notice.

TYPICAL COIL RESISTANCES (20% TOLERANCE)

COILS	OHMS	L1	L2	L3	L4	L5	L6	L7	L8	L9	L10	L11	L12	L13	L14	L15	L16	L17	L18	L19	T1 H.T. Sec.	T1 Prim.	T2 Prim.	T2 Sec.	P.U. Transformers		
		24	14	0.5	2.2	—	—	—	—	—	—	—	—	—	—	—	—	—	—	—					—	—	—
		24	14	0.5	2.2	—	—	—	—	—	—	—	—	—	—	—	—	—	—	—	145 + 150	24 + 3 + 3	280	0.2	150	2	27