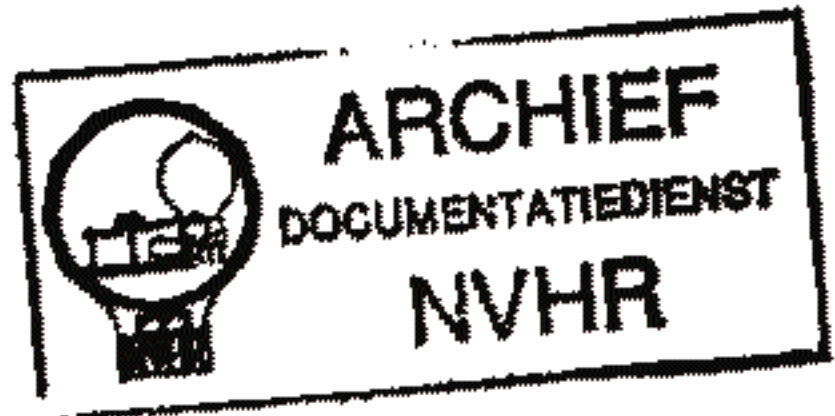


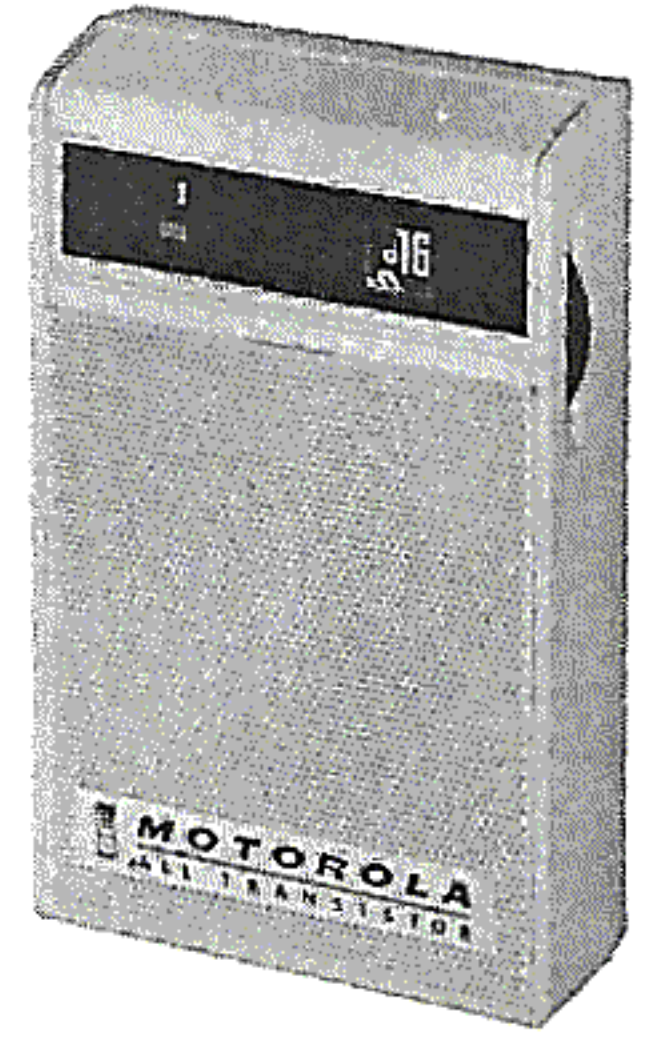


PHOTOFACT®

Met dank aan Jef Bos



TRADE NAME: Motorola Models X54B, X54E (Ch. HS-6123)
 SUPPLIER: Motorola Inc.
 9401 W. Grand Ave., Franklin Park, Ill.
 TYPE SET: 6 Transistor AM Receiver
 POWER SUPPLY: 9 Volts DC
 RATING: 5MA@9VDC (No Signal, Min. Volume)
 22MA@9VDC (Signal, Normal Volume)
 TUNING RANGE: BROADCAST 535 - 1620KC



ALIGNMENT INSTRUCTIONS

Check for specified source voltage.

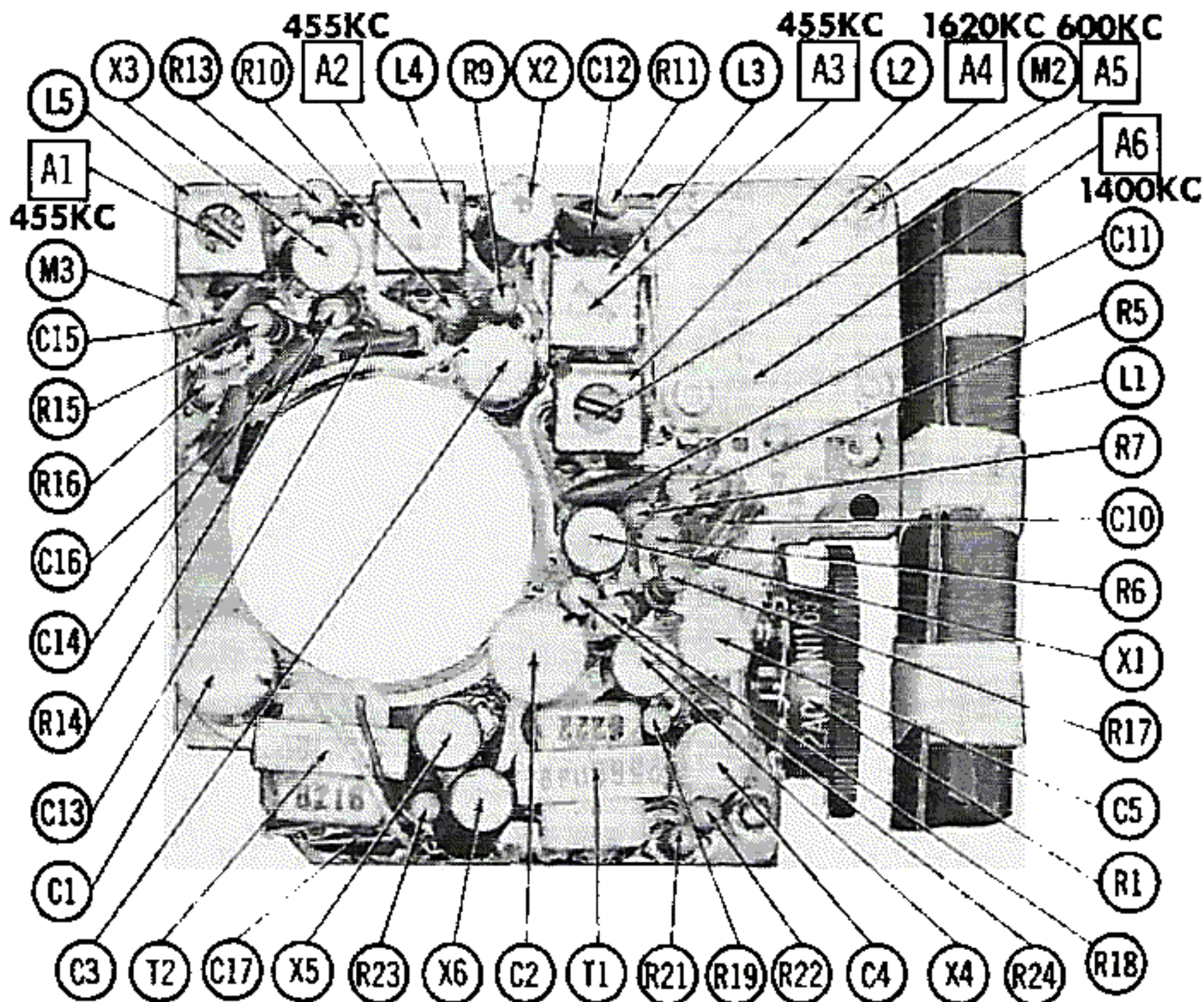
Fashion loop of several turns of wire and connect generator across loop.

Adjust output of generator to radiate only enough signal into receiver to obtain a suitable indication.

Suggested Alignment Tools:

A1, A2, A3, A5.....GENERAL CEMENT #5067, 8282, 8608
 WALSCO #2526, 2543
 A4, A6.....GENERAL CEMENT #5000, 5066, 8290
 WALSCO #2512, 2525, 2528

	SIGNAL GENERATOR FREQUENCY	RADIO DIAL SETTING	INDICATOR	ADJUST	REMARKS
1.	455KC (400v Mod.)	Tuning gang fully open.	Output Meter across voice coil.	A1, A2, A3	Adjust for maximum. Repeat as required.
2.	1620KC	"	"	A4	Adjust for maximum.
3.	600KC	Tune to Signal.	"	A5	Rock tuning gang and adjust for maximum. Repeat steps 2 and 3.
4.	1400KC	"	"	A6	Adjust for maximum.



HOWARD W. SAMS & CO., INC. Indianapolis 6, Indiana

TRANSISTORS

ITEM No.	ORIG. TYPE	USE	REPLACEMENT DATA			NOTES
			DELCO PART No.	GENERAL ELECTRIC PART No.	RCA PART No.	
X1	2SA52	Converter	DS-25	GE-9		PNP
X2	2SA72	1st IF Amplifier	DS-25	GE-9		PNP
X3	2SA72	2nd IF Amplifier	DS-25	GE-9		PNP
X4	2SB54	Driver			2N408	PNP
X5	2SB56	Output			2N408	PNP
X6	2SB56	Output			2N408	PNP

ELECTROLYTIC CAPACITORS

ITEM No.	RATING		REPLACEMENT DATA						
	CAP.	VOLT.	MOTOROLA PART No.	AEROVOX PART No.	CORNELL-DUBILIER PART No.	GENERAL ELECTRIC PART No.	GENERAL INSTRUMENT PART No.	MALLORY PART No.	SPRAGUE PART No.
C1	50	10	23C60496A04						
C2	50	10	23C60496A04						
C3	30	3	23C60496A02						
C4	5	6	23C60496A08	CRE305A	NLW5-16	MT1-3			TE-1084
C5	30	3	23C60496A02						

FIXED CAPACITORS

ITEM No.	RATING	REMARKS	REPLACEMENT DATA					
			AEROVOX PART No.	CENTRALAB PART No.	CORNELL-DUBILIER PART No.	ELMENCO PART No.	MALLORY PART No.	SPRAGUE PART No.
C10	.02		TTD-02	CK-203	H3		TA-120	TG-S20
C11	.01		TTD-01	CK-103	H2		TA-110	TG-S10
C12	.02		TTD-02	CK-203	H3		TA-120	TG-S20
C13	.02		TTD-02	CK-203	H3		TA-120	TG-S20
C14	.02		TTD-02	CK-203	H3		TA-120	TG-S20
C15	.02		TTD-02	CK-203	H3		TA-120	TG-S20
C16	.02		TTD-02	CK-203	H3		TA-120	TG-S20
C17	.02		TTD-02	CK-203	H3		TA-120	TG-S20

CONTROLS

All wattages 1/2 watt, or less, unless otherwise listed.

ITEM No.	USE	RESIST-ANCE	REPLACEMENT DATA				
			MOTOROLA PART No.	CENTRALAB PART No.	CLAROSTAT PART No.	CTS-IRC PART No.	MALLORY PART No.
R1	Volume & Switch	5000Ω	18B60512A01	B16-214 ①			

① Use original knob.

COILS (RF-IF)

ITEM No.	USE	REPLACEMENT DATA					NOTES
		MOTOROLA PART No.	MERIT PART No.	MILLER PART No.	STANCOR PART No.	WORKMAN PART No.	
L1	Loopstick	24B61297A02					
L2	Osc.	24C60527A01	BC-572	2060	RTC-9261		
L3	1st IF	24C60513A02	BC-569	2061	RTC-9262		
L4	2nd IF	24C60513A02	BC-570	2062	RTC-9263		
L5	3rd IF	24C60513A03	BC-571	2063	RTC-9264		

DESCRIPTION

TRANSFORMER (DRIVER)

ITEM No.	TURNS RATIO		REPLACEMENT DATA					NOTES
			MOTOROLA PART No.	MERIT PART No.	STANCOR PART No.	THORDARSON PART No.	TRIAD PART No.	
	PRI.	SEC.						
T1	2	1	25B60484A01					

TRANSFORMER (AUDIO OUTPUT)

ITEM No.	IMPEDANCE		REPLACEMENT DATA					NOTES
			MOTOROLA PART No.	MERIT PART No.	STANCOR PART No.	THORDARSON PART No.	TRIAD PART No.	
	PRI.	SEC.						
T2	800Ω CT	6-8Ω	25B60502A01					

SPEAKER

ITEM No.	TYPE	REPLACEMENT DATA		NOTES
		MOTOROLA PART No.	QUAM PART No.	
SP1	2" PM 6-8Ω	50B60545A01		

BATTERIES

ITEM No.	VOLTAGE	MOTOROLA PART No.	REPLACEMENT DATA			NOTES
			BURGESS	EVEREADY	MALLORY	
M1	9V		2U6 (or H146)	216 (or E146)	M-1604 (or MNI604, TR-146)	

MISCELLANEOUS

ITEM No.	PART NAME	MOTOROLA PART No.	NOTES
M2 M3	Tuning Cap. Detector (1S50)	19B60499A01 48K644681	

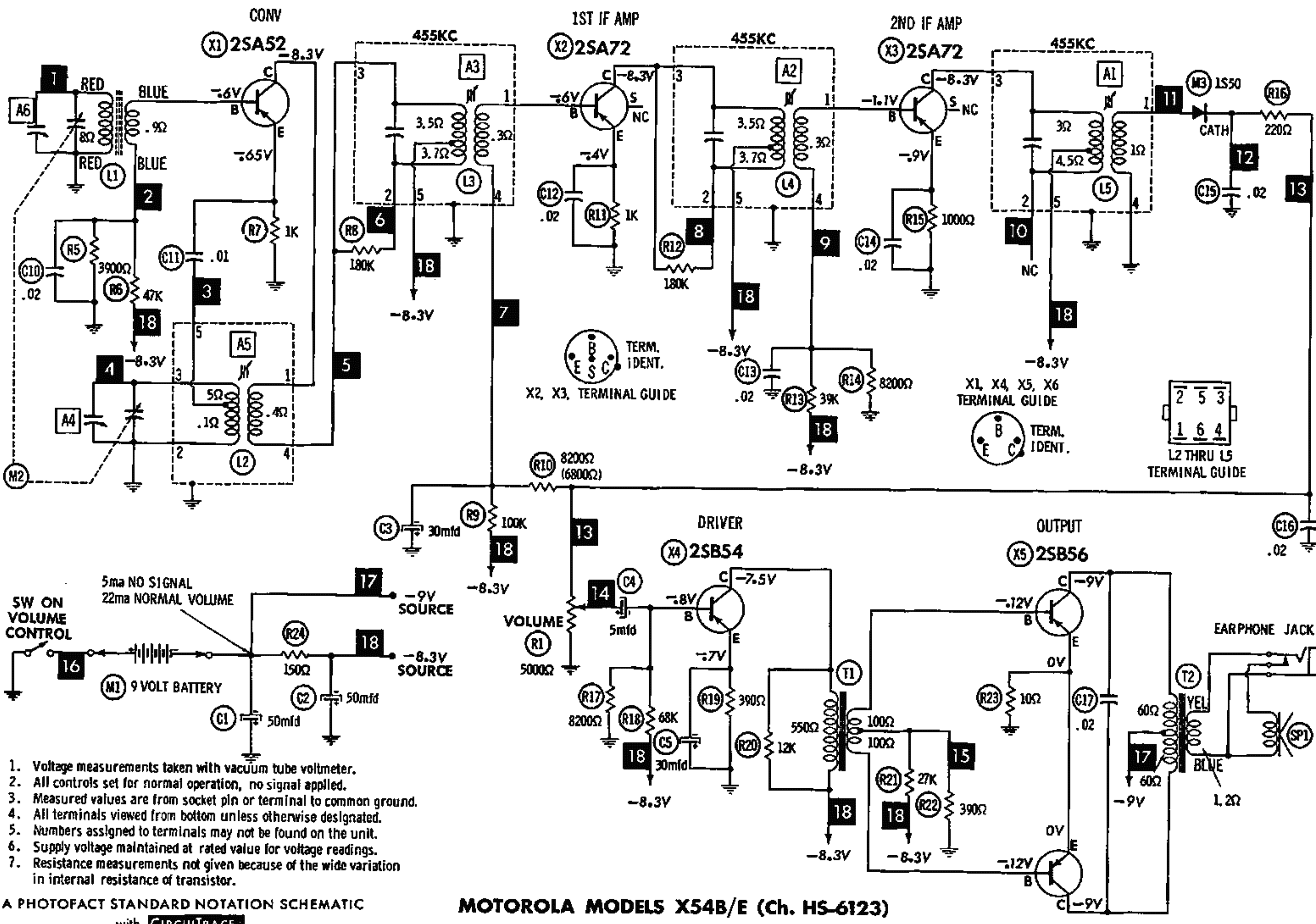
CABINETS & CABINET PARTS

(When Ordering Specify Model, Chassis & Color)

ITEM	PART No.	ITEM	PART No.
Knob - Tuning	36B61151A02	Cabinet Front - Black	1V60040A88
Knob - Volume	36B60546A04	Cabinet Back - Blue	1V60040A86
Cabinet Front - Blue	1V60040A89	Cabinet Back - Black	1V60040A85

WIRING DATA

General-use Unshielded Hook-up Wire	Use BELDEN No. 8530 (Solid 22AWG)	Available
	8524 (Stranded 22AWG)	in
	8570 (Stranded 28AWG)	12 Colors



1. Voltage measurements taken with vacuum tube voltmeter.
2. All controls set for normal operation, no signal applied.
3. Measured values are from socket pin or terminal to common ground.
4. All terminals viewed from bottom unless otherwise designated.
5. Numbers assigned to terminals may not be found on the unit.
6. Supply voltage maintained at rated value for voltage readings.
7. Resistance measurements not given because of the wide variation in internal resistance of transistor.

A PHOTOFACIT STANDARD NOTATION SCHEMATIC
with **CIRCUITRACE**
©Howard W. Sams & Co., Inc. 1963

MOTOROLA MODELS X54B/E (Ch. HS-6123)

