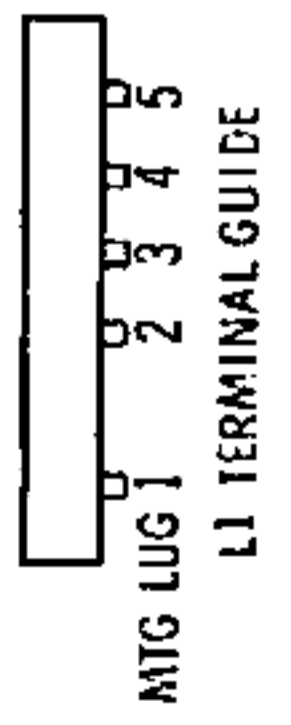
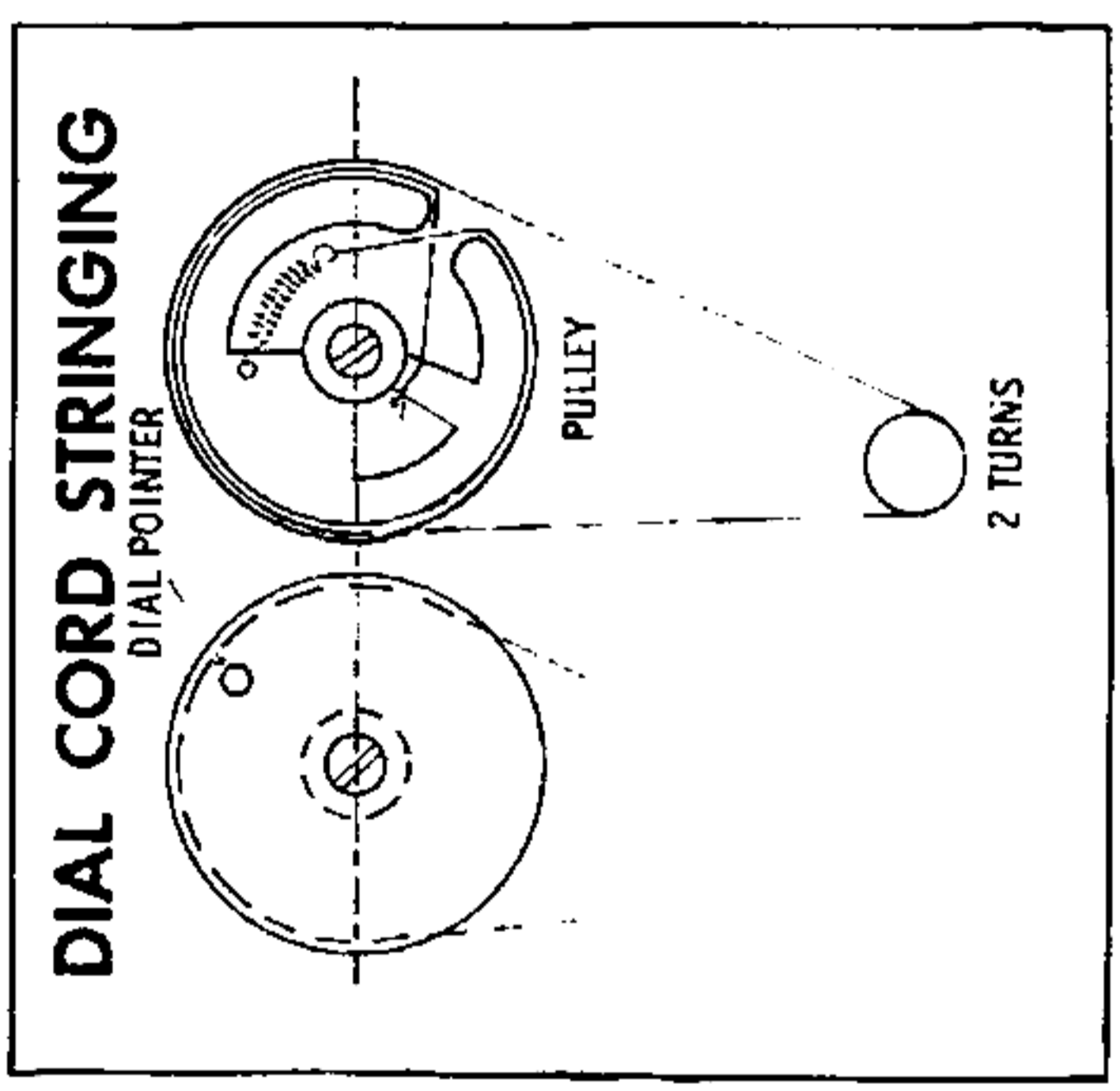


NUMBERS ASSIGNED TO COILS, SWITCHES, PLUGS, SOCKETS, AND TRANSFORMERS ARE TO FACILITATE CIRCUIT TRACING OR COMPONENT REPLACEMENT AND MAY NOT NECESSARILY BE FOUND ON THE UNIT.



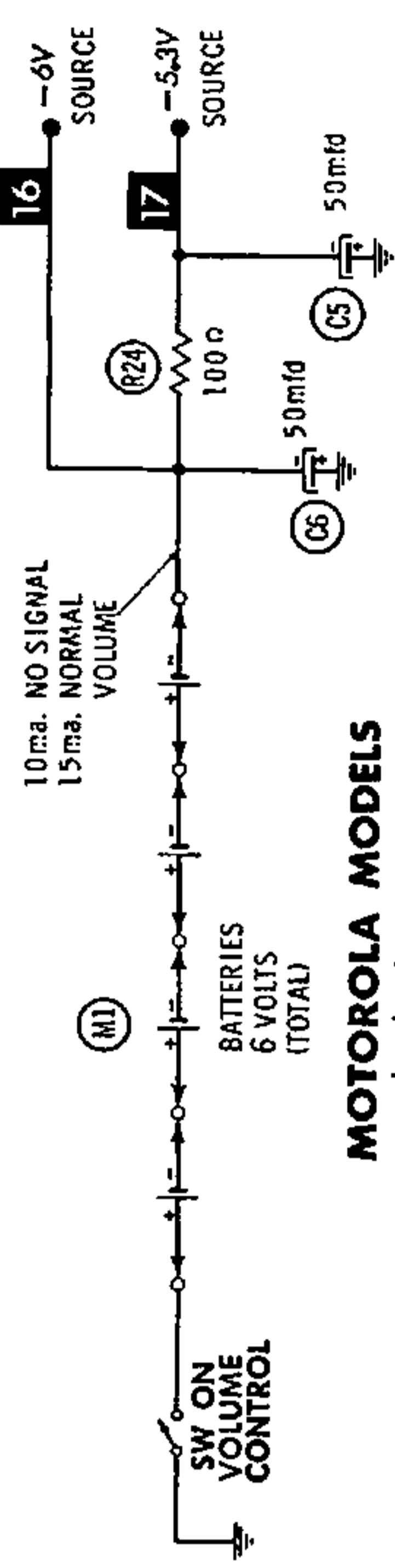
RESISTANCE MEASUREMENTS NOT GIVEN BECAUSE OF THE WIDE VARIATION IN INTERNAL TRANSISTOR RESISTANCE.

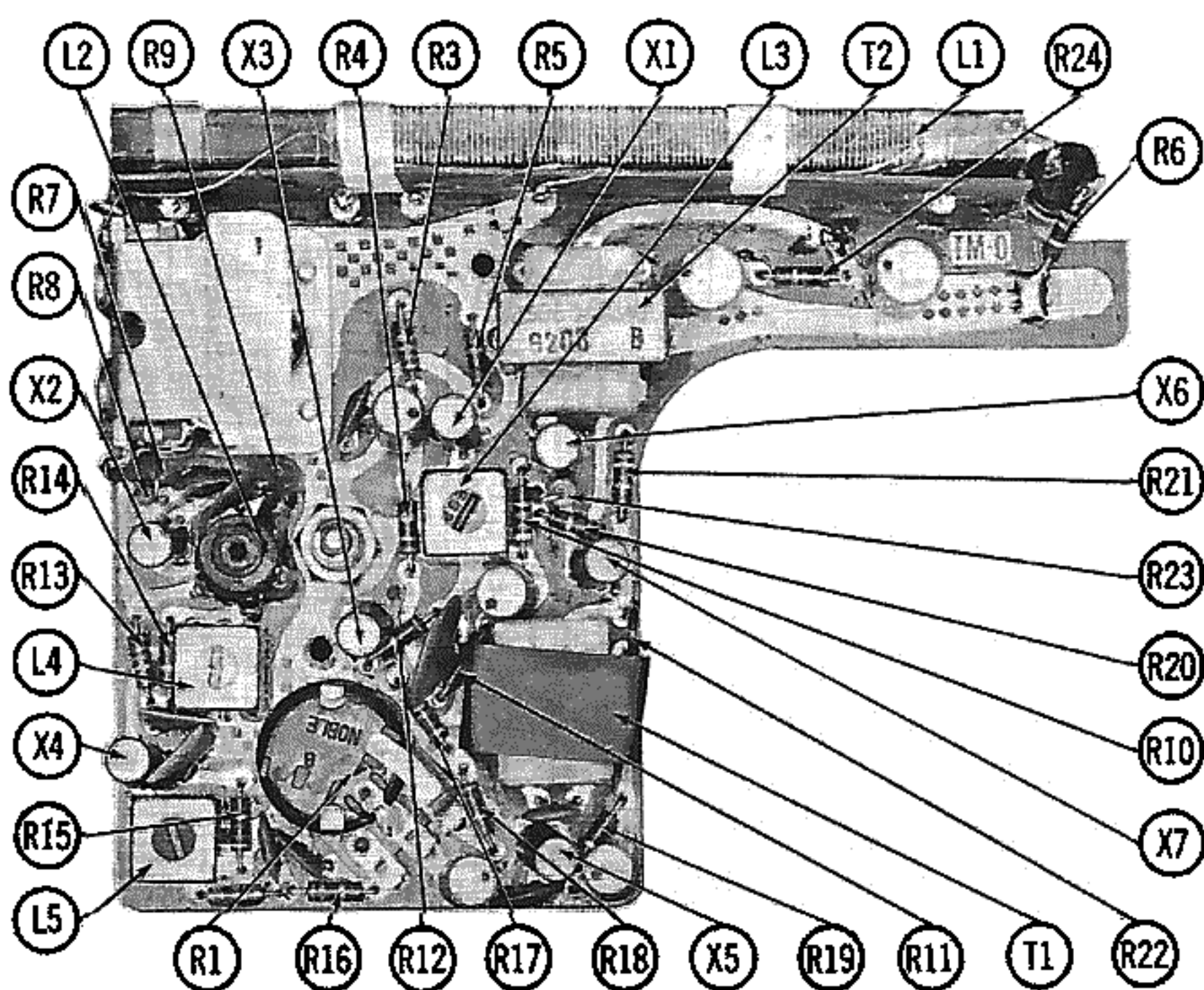
SEE PARTS LIST FOR ALTERNATE VALUE OR APPLICATION

1. DC voltage measurements taken with vacuum tube voltmeter.
2. Socket connections or transistor terminals are shown as bottom views.
3. Measured values are from socket pin or terminal to common ground.
4. Nominal tolerance on component values makes possible a variation of $\pm 15\%$ in voltage and resistance readings.

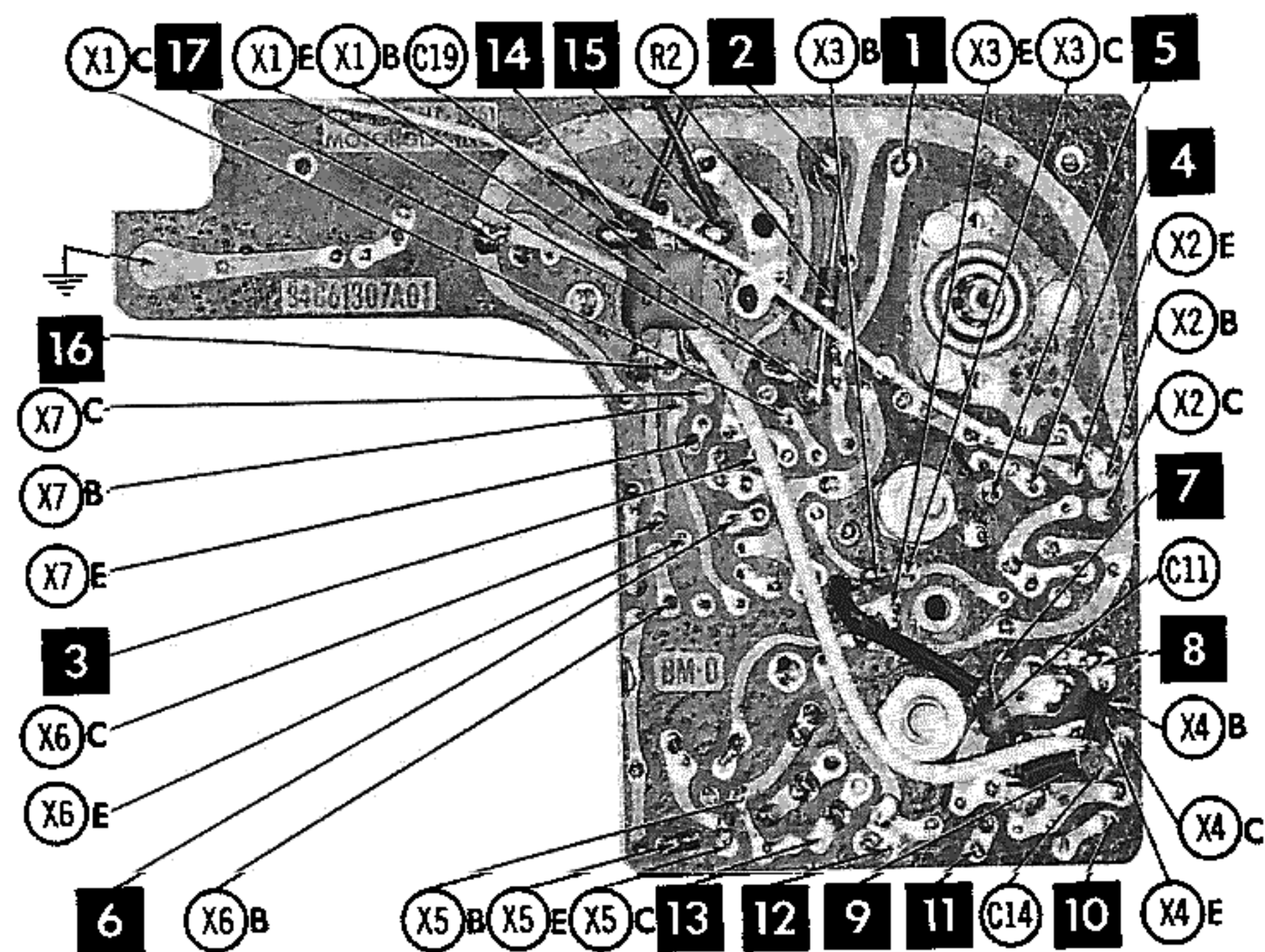
A PHOTOFACT STANDARD NOTATION SCHEMATIC with **CIRCUITRACE**

MOTOROLA MODELS
X39E/N/S (Ch. HS-1007)





SSIS TOP VIEW - RESISTOR INDUCTOR & TRANSISTOR IDENT.



WIRING DATA

General-use Unshielded Hook-up Wire Use BELDEN No. 8530 (Solid 22AWG) Available in 12 Colors
 8524 (Stranded 22AWG)
 8570 (Stranded 26AWG)

TRANSISTORS

ITEM No.	ORIG. TYPE	USE	REPLACEMENT DATA			NOTES
			DELCO PART No.	GENERAL ELECTRIC PART No.	RCA PART No.	
X1	2SA72	Mixer	DS-25	GE-1		PNP
X2	2SA72	Oscillator	DS-25	GE-1		PNP
X3	2SA49	1st IF Amplifier	DS-25	GE-1		PNP
X4	2SA49	2nd IF Amplifier	DS-25	GE-1		PNP
X5	2SB54	Driver	DS-26	GE-2	2N408	PNP
X6	2SB56	Output	DS-26	GE-2	2N408	PNP
X7	2SB56	Output	DS-26	GE-2	2N408	PNP

POWER RECTIFIERS & SIGNAL DIODES

ITEM No.	CURRENT RATING (Measured)	ORIGINAL Part or Type No.	RECTIFIERS		DIODES	NOTES
			RCA PART No.	SARKES TARZIAN PART No.		
X8		48K644681				Detector (1N80)

ELECTROLYTIC CAPACITORS

ITEM No.	RATING		MOTOROLA PART No.	REPLACEMENT DATA					
	CAP.	VOLT.		AEROVOX PART No.	CORNELL-DUBILIER PART No.	GENERAL ELECTRIC PART No.	MALLORY PART No.	PYRAMID PART No.	SPRAGUE PART No.
C1	30	3	23C60496A02	BCD3025	ECPB412	MT1-10	PET130	MLV30-6	VL-1092
C2	30	3	23C60496A02	BCD3025	ECPB412	MT1-10	PET130	MLV30-6	VL-1092
C3	5	6	23C60496A03	BCD8005	ECPB405	MT1-3	TT6X5	MLV5-6	VL-1084
C4	30	3	23C60496A02	BCD3025	ECPB412	MT1-10	PET130	MLV30-6	VL-1092
C5	50	10	23C60496A04	BCD10050	ECPB415	MT1-16	TT10X50	MLV50-10	VL-1134
C6	50	10	23C60496A04	BCD10050	ECPB415	MT1-16	TT10X50	MLV50-10	VL-1134

FIXED CAPACITORS

ITEM No.	RATING	REMARKS	REPLACEMENT DATA					
			AEROVOX PART No.	CENTRALAB PART No.	CORNELL-DUBILIER PART No.	ELMENCO PART No.	MALLORY PART No.	SPRAGUE PART No.
C7	.01		TTD-01	CK-103	H05S1		TA-110	TG-S10
C8	.01		TTD-01	CK-103	H05S1		TA-110	TG-S10
C9	.01		TTD-01	CK-103	H05S1		TA-110	TG-S10
C10	.05		TTD-05	CK-503	H05S5			TG-S50
C11	7		NPO-DI 6.8	DTZ-6R8	C10V7C	CCTO-6R8	CNO-568	10TCC-V68
C12	.05		TTD-05	CK-503	H05S5			TG-S50
C13	.05		TTD-05	CK-503	H05S5			TG-S50
C14	3		NPO-DI 3	DTZ-3R3	C10V3C	CCTO-3R3	CNO-533	10TCC-V33
C15	.01		TTD-01	CK-103	H05S1		TA-110	TG-S10
C16	.01		TTD-01	CK-103	H05S1		TA-110	TG-S10
C17	100		DI-100	DD-101	L10T1	CCD-101	GP310	10TS-T10
C18	.002		DI-2000	DD-202	L10D2	CCD-202	GP220	10TS-D20
C19	.05		TTD-05	CK-503	H05S5			TG-S50

CONTROLS

All wattages 1/2 watt, or less, unless otherwise listed.

ITEM No.	USE	RESISTANCE	REPLACEMENT DATA				
			MOTOROLA PART No.	CENTRALAB PART No.	CLAROSTAT PART No.	CTS-IRC PART No.	MALLORY PART No.
R1	Volume & Switch	5000Ω	10D61051A01				

DESCRIPTION

RESISTORS

All wattages 1/2 watt, or less, unless otherwise listed.

ITEM No.	RATING	REPLACEMENT DATA			ITEM No.	RATING	REPLACEMENT DATA		
		IRC PART No.	WORKMAN PART No.	REMARKS			IRC PART No.	WORKMAN PART No.	REMARKS
R2	100Ω			Note 1	R14	4700Ω			
R3	68K				R15	470Ω			
R4	3300Ω				R16	3300Ω			
R5	1000Ω				R17	47K			
R6	3300Ω			(10K) †	R18	4700Ω			
R7	3900Ω				R19	100Ω			
R8	12K				R20	330Ω			
R9	1000Ω				R21	3900Ω			
R10	47K				R22	170Ω Cold			#6B60519A01
R11	1500Ω				R23	10Ω			
R12	470Ω				R24	100Ω			
R13	33K								

Motorola Part Number.

Note 1. Not used in some versions.

† Alternate Value.

COILS (RF-IF)

ITEM No.	USE	REPLACEMENT DATA					NOTES
		MOTOROLA PART No.	MERIT PART No.	MILLER PART No.	STANCOR PART No.	WORKMAN PART No.	
L1	Loopbar	24B61294A01					
L2	Osc.	24C60741A05					
L3	1st IF	24K646566	BC-574				
L4	2nd IF	24K646137	BC-575				
L5	3rd IF	24K646138	BC-576				

TRANSFORMER (DRIVER)

ITEM No.	TURNS RATIO		REPLACEMENT DATA					NOTES
			MOTOROLA PART No.	MERIT PART No.	STANCOR PART No.	THORDARSON PART No.	TRIAD PART No.	
	PRI.	SEC.						
T1	1.2	1	25B60492A01					

TRANSFORMER (AUDIO OUTPUT)

ITEM No.	IMPEDANCE		REPLACEMENT DATA					NOTES
			MOTOROLA PART No.	Merit PART No.	Stancor PART No.	Thordarson PART No.	Triad PART No.	
	PRI.	SEC.						
T2	100Ω CT	8-8Ω	25B60493A01					

SPEAKER

BATTERIES

ITEM No.	TYPE			REPLACEMENT DATA		ITEM No.	VOLTAGE	REPLACEMENT DATA			NOTES
				MOTOROLA PART No.	QUAM PART No.			BURGESS	EVEREADY	MALLORY	
	SIZE	FIELD	V. C. IMP.								
SP1	3"	PM	6-8Ω	50B61163A01	30A05RZ8	M1	1½V	930	1015	M-15R	4 Used

MISCELLANEOUS

ITEM No.	PART NAME	MOTOROLA PART No.	NOTES
M2	Tuning Cap.	19B60609A02	2 Gang Battery Life Indicator (Push-button) Less All Components
M3	Switch	40B646613	
	Printed Board	84C61307A01	

CABINETS & CABINET PARTS

(When Ordering Cabinets & Cabinet Parts, Specify Model, Chassis & Color)

NAME	PART NO.	DESCRIPTION
Dial Scale	34B61175A01	Tuning Volume (Cabinet Front)
Knob	36B61176A01	
Knob	36B61176A02	
Escutcheon	13D01178A01	