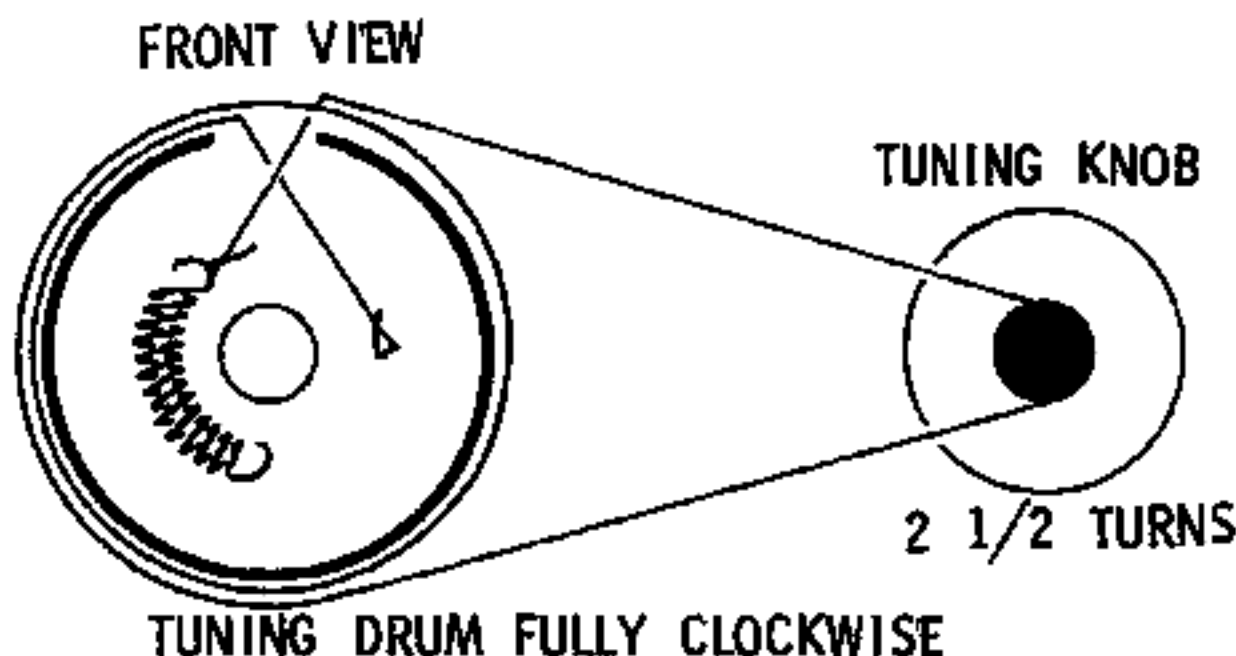
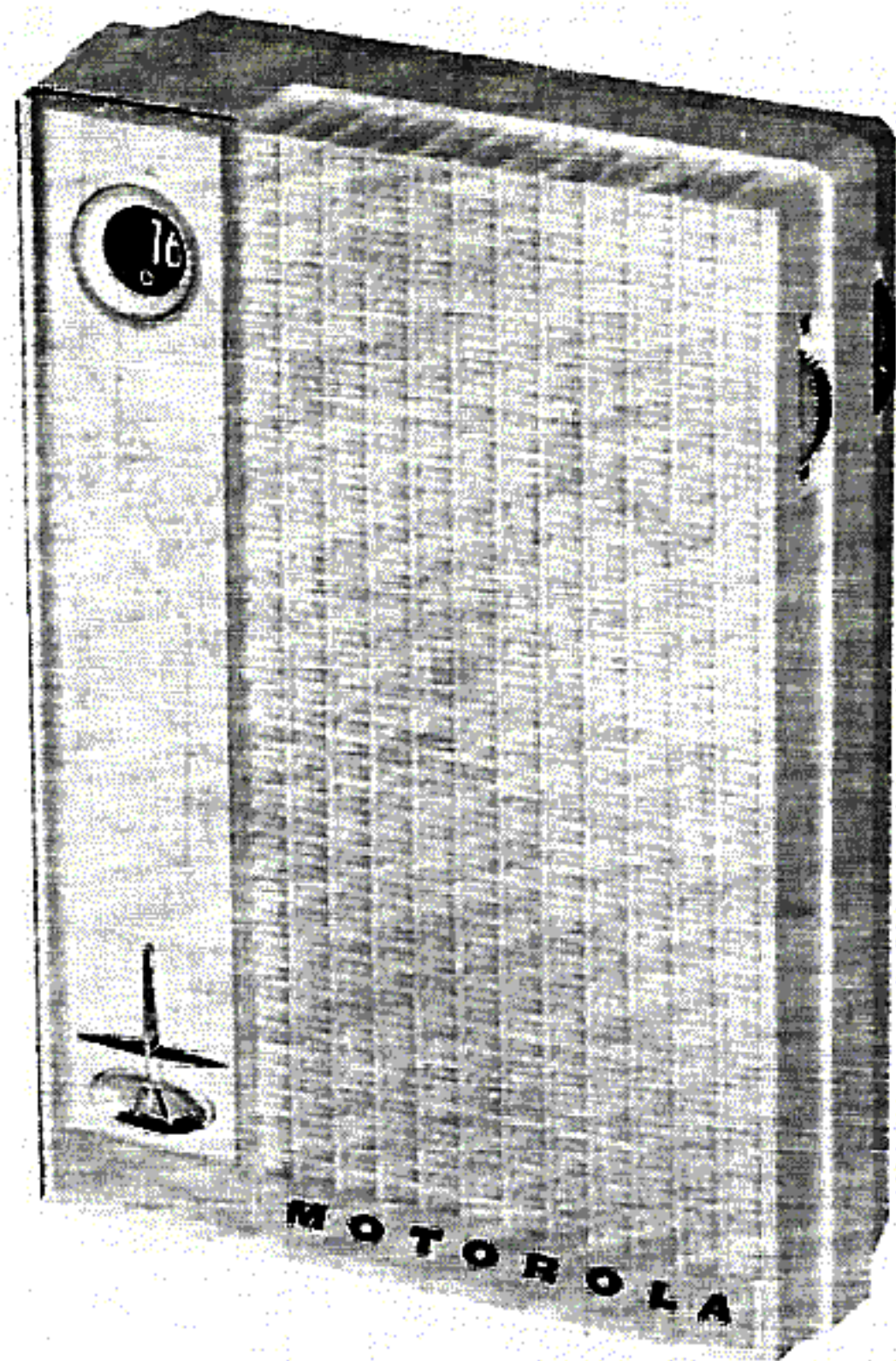


PHOTOFACT® Folder

with **CIRCUITRACE®**

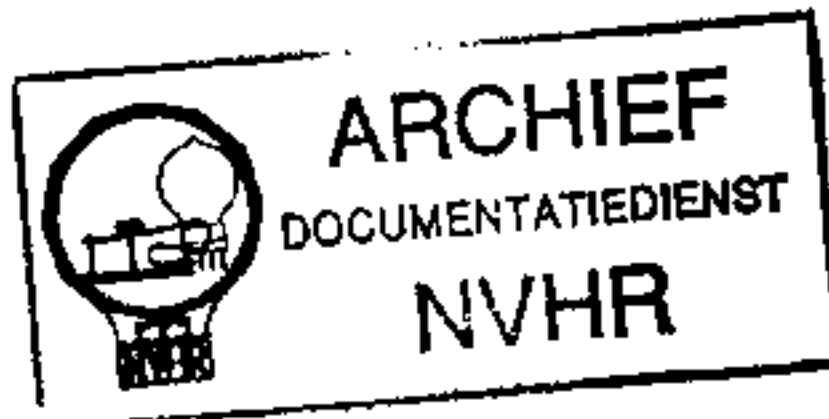
**MOTOROLA MODELS
X26J/W (Ch. HS-883)**

DIAL CORD STRINGING



Met dank aan Jef Bos

Ned. Ver. v. Historie v/d Radio



TRADE NAME	Motorola Models X26J, X26W (Ch. HS-883)		
MANUFACTURER	Motorola Inc., 4545 W. Augusta Blvd., Chicago 51, Illinois		
TYPE SET	Battery Operated Transistorized Portable AM Receiver		
POWER SUPPLY	6 Volts DC	RATING	8MA @ 6 Volts DC (No Signal, Min. Volume)
TUNING RANGE—BROADCAST	532 — 1620KC		20MA @ 6 Volts DC (Signal, Normal Volume)

ALIGNMENT INSTRUCTIONS

ALIGNMENT INSTRUCTIONS—READ CAREFULLY BEFORE ATTEMPTING ALIGNMENT

Volume control should be at maximum position. Output of signal generator should be no higher than necessary to obtain an output reading.

Suggested Alignment Tools:

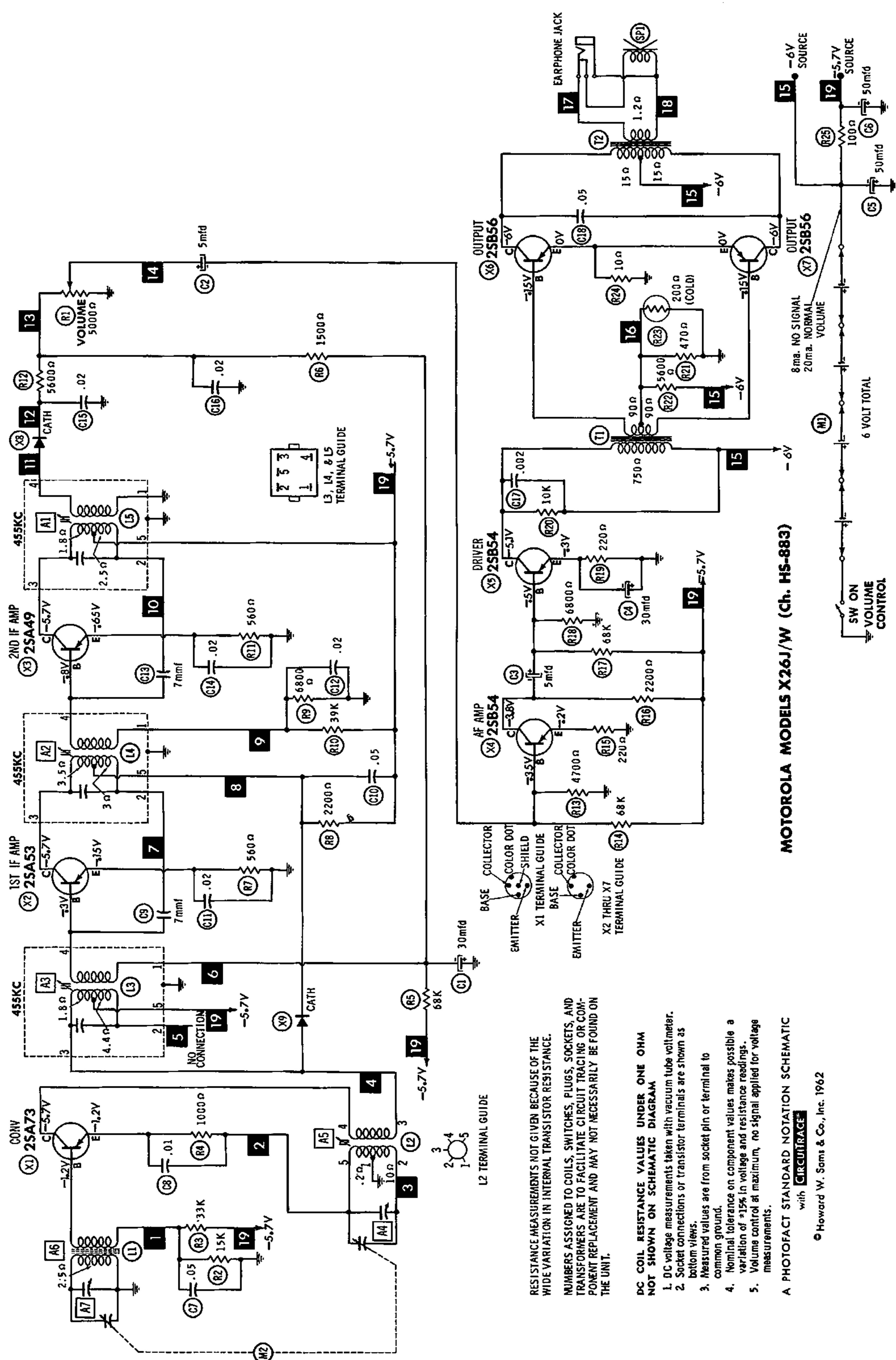
- A1, A2, A3..... GENERAL CEMENT #8607, 9291, 9294
WALSCO #2520, 2522, 2523, 2524, 2534, 2537
- A4..... GENERAL CEMENT #9296, 9297
WALSCO #2546, 2547
- A5, A7..... GENERAL CEMENT #5004, 5009, 8195, 8274, 8275, 8607, 8728, 8987, 8988, 8989, 9291
WALSCO #2515, 2520, 2522, 2523, 2531, 2532, 2534, 2537, 2538

	SIGNAL GENERATOR COUPLING	SIGNAL GENERATOR FREQUENCY	RADIO DIAL SETTING	OUTPUT METER	ADJUST	REMARKS
1.	Fashion loop of several turns of wire and radiate signal into loop of receiver.	455KC (400% Mod.)	Tuning gang fully open.	Across voice coil.	A1, A2, A3	Adjust for maximum output.
2.	"	532KC	Tuning gang fully closed.	"	A4	Adjust for maximum output while rocking tuning gang.
3.	"	1620KC	Tuning gang fully open.	"	A5	Adjust for maximum output.
4.	"	600KC	600KC	"	A6	Adjust for maximum output by moving antenna coil turns along ferrite core.
5.	"	1400KC	1400KC	"	A7	Adjust for maximum output. Repeat Steps 2 thru 5.

HOWARD W. SAMS & CO., INC. Indianapolis 6, Indiana

The listing of any available replacement part herein does not constitute in any case a recommendation, warranty or guaranty by Howard W. Sams & Co., Inc., as to the quality and suitability of such replacement part. The numbers of these parts have been compiled from information furnished to Howard W. Sams & Co., Inc., by the manufacturers of LF184

the particular type of replacement part listed. Reproduction or use, without express permission, of editorial or pictorial content, in any manner, is prohibited. No patent liability is assumed with respect to the use of the information contained herein. ©1962 Howard W. Sams & Co., Inc., Indianapolis 6, Indiana. Printed in U.S. of America



MOTOROLA MODELS X26J/W (Ch. HS-883)

A PHOTOFACT STANDARD NOTATION SCHEMATIC

with **CIRCUITRACE**

© Howard W. Sams & Co., Inc. 1962

RESISTANCE MEASUREMENTS NOT GIVEN BECAUSE OF THE WIDE VARIATION IN INTERNAL TRANSISTOR RESISTANCE.

NUMBERS ASSIGNED TO COILS, SWITCHES, PLUGS, SOCKETS, AND TRANSFORMERS ARE TO FACILITATE CIRCUIT TRACING OR COMPONENT REPLACEMENT AND MAY NOT NECESSARILY BE FOUND ON THE UNIT.

DC COIL RESISTANCE VALUES UNDER ONE OHM NOT SHOWN ON SCHEMATIC DIAGRAM

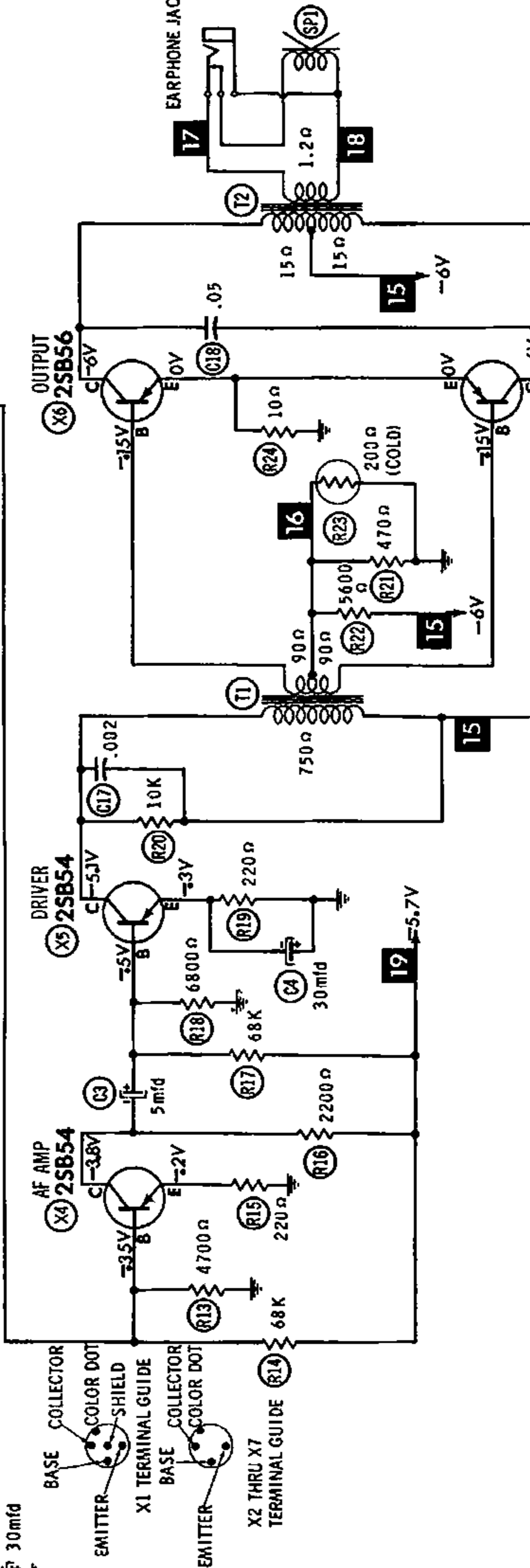
1. DC voltage measurements taken with vacuum tube volt meter.
2. Socket connections or transistor terminals are shown as bottom views.
3. Measured values are from socket pin or terminal to common ground.
4. Nominal tolerance on component values makes possible a variation of ±15% in voltage and resistance readings.
5. Volume control at maximum, no signal applied for voltage measurements.

SW ON
VOLUME
CONTROL

6 VOLT TOTAL

8 ma. NO SIGNAL
20 ma. NORMAL
VOLUME

15 -6V SOURCE
19 -5.7V SOURCE
50 mfd
100 Ω
50 mfd
C6



L2 TERMINAL GUIDE

L3, L4, & L5
TERMINAL GUIDE

L1 TERMINAL GUIDE

X1 THRU X7
TERMINAL GUIDE

BASE COLLECTOR
EMITTER
COLOR DOT
SHIELD

BASE COLLECTOR
EMITTER
COLOR DOT
SHIELD

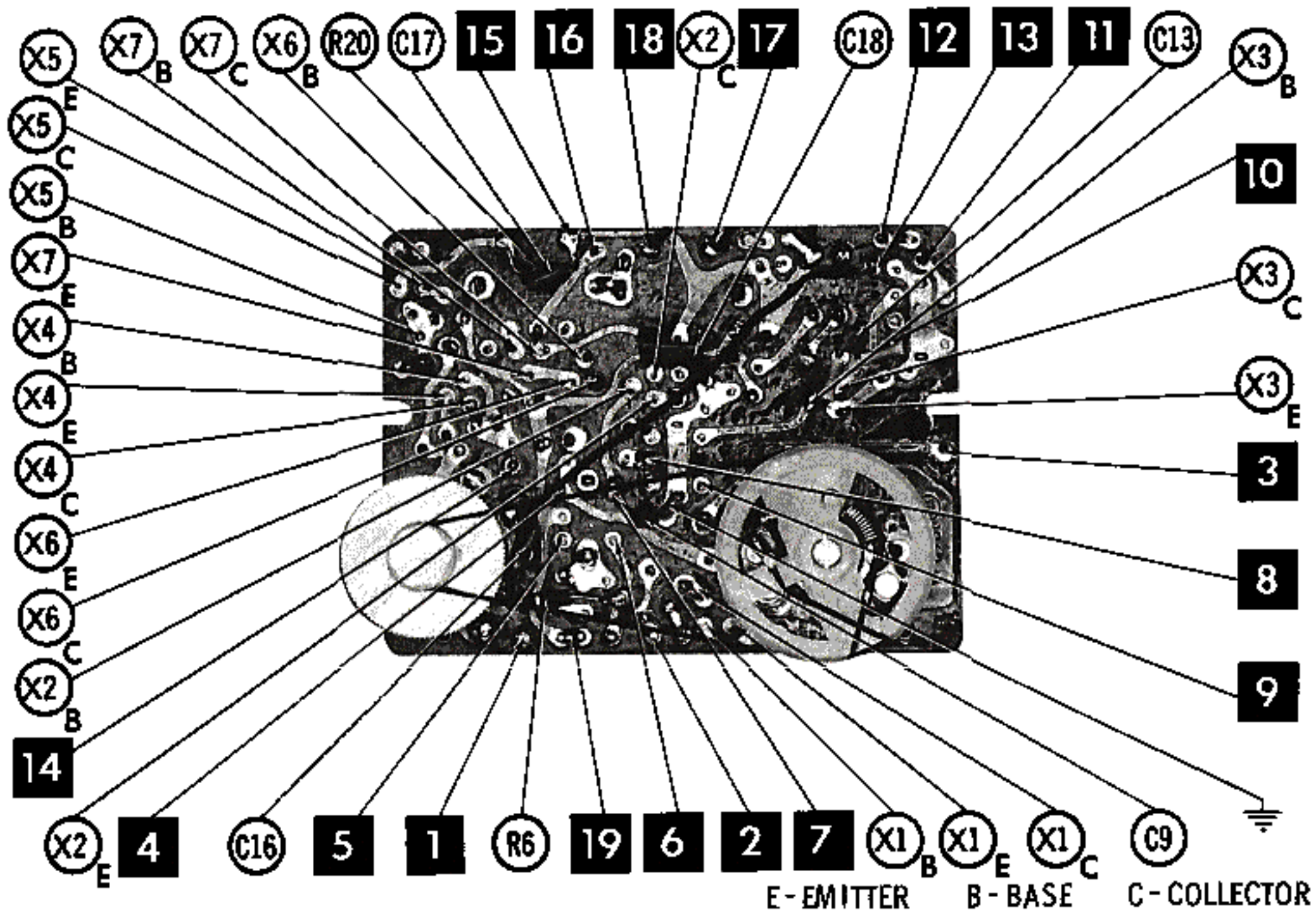
BASE COLLECTOR
EMITTER
COLOR DOT
SHIELD

BASE COLLECTOR
EMITTER
COLOR DOT
SHIELD

BASE COLLECTOR
EMITTER
COLOR DOT
SHIELD

BASE COLLECTOR
EMITTER
COLOR DOT
SHIELD

BASE COLLECTOR
EMITTER
COLOR DOT
SHIELD



PRINTED BOARD

455KC

ANT
600KC

OSC
532KC

ANT
1400KC

OSC
1620KC

455KC

2SA73

2SA49

2SB54

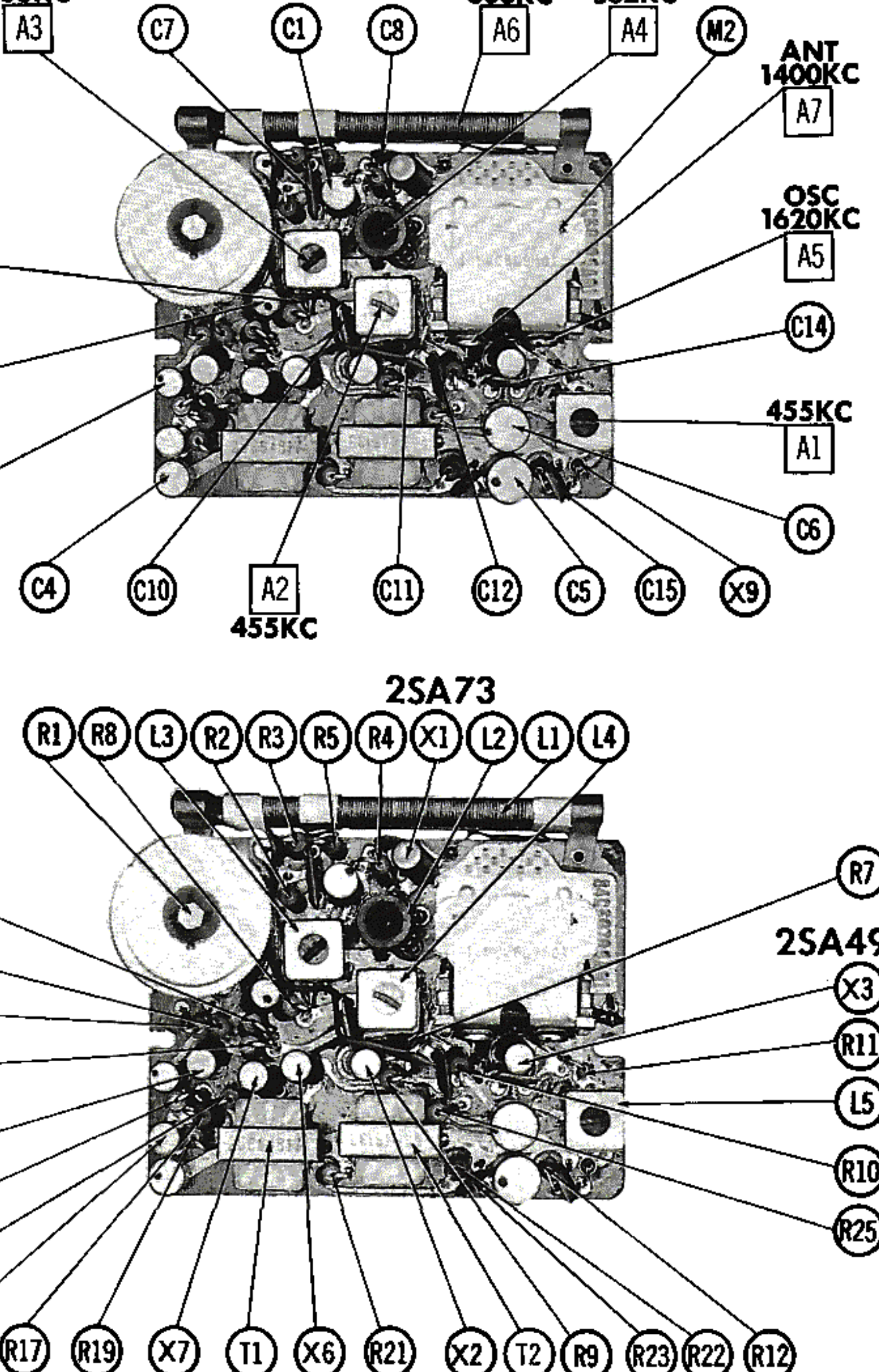
2SB54

2SB56

2SB56

2SA53

CHASSIS - TOP VIEW



TRANSISTORS

ITEM No.	ORIG. TYPE	USE	REPLACEMENT DATA		NOTES
			RCA PART No.	RAYTHEON PART No.	
X1	2SA73	Converter	2N412	2N486	PNP
X2	2SA53	1st IF Amplifier	2N410	2N483	PNP
X3	2SA49	2nd IF Amplifier	2N410	2N483	PNP
X4	2SB54	AF Amplifier	2N406	2N362	PNP
X5	2SB54	Driver	2N406	2N362	PNP
X6	2SB56	Output	2N408	2N632	PNP
X7	2SB56	Output	2N408	2N632	PNP

POWER RECTIFIERS & SIGNAL DIODES

ITEM No.	CURRENT RATING (Measured)	ORIGINAL Part or Type No.	RECTIFIERS		DIODES	NOTES
			RCA PART No.	SARKES TARZIAN PART No.	RAYTHEON PART No.	
X8		48K647311			1N60	Overload (1S50) Detector (1S50)
X9		48K647311			1N60	

ELECTROLYTIC CAPACITORS

ITEM No.	RATING		REPLACEMENT DATA						
	CAP.	VOLT.	MOTOROLA PART No.	AEROVOX PART No.	CORNELL-DUBILIER PART No.	GENERAL ELECTRIC PART No.	MALLORY PART No.	PYRAMID PART No.	SPRAGUE PART No.
C1	30	3	23C60496A02	PTT10	NLW30-6	MT1-13	TT6X30	MLV30-6	TE-1092
C2	5	6	23C60496A03	PTT21	NLW5-15	MT1-3	TT6X5	MLV5-6	TE-1084
C3	5	6	23C60496A03	PTT21	NLW5-15	MT1-3	TT6X5	MLV5-6	TE-1084
C4	30	3	23C60496A02	PTT10	NLW30-6	MT1-13	TT6X30	MLV30-6	TE-1092
C5	50	10	23C60496A04	BCD10050	NLW50-10	MT1-16	TT10X50	MLV50-10	TE-1119
C6	50	10	23C60496A04	BCD10050	NLW50-10	MT1-16	TT10X50	MLV50-10	TE-1119

DESCRIPTIONS

FIXED CAPACITORS

ITEM No.	RATING	REMARKS	REPLACEMENT DATA					
			AEROVOX PART No.	CENTRALAB PART No.	CORNELL-DUBILIER PART No.	ELMENCO PART No.	MALLORY PART No.	SPRAGUE PART No.
C7	.05		NPO-DI 6.8	DA-503	H-05S5	CCTO-6R8	TA-150	TG-S50
C8	.01			DM-103	H-05S1		TA-110	TG-S10
C9	7			DTZ-6R8	C10V7C		CNO-568	10TCC-V68
C10	.05			DA-503	H-05S5		TA-150	TG-S50
C11	.02		NPO-DI 6.8	DA-203	H-05S2	CCTO-6R8	TA-120	TG-S20
C12	.02			DA-203	H-05S2		TA-120	TG-S20
C13	7			DTZ-6R8	C10V7C		CNO-568	10TCC-V68
C14	.02			DA-203	H-05S2		TA-120	TG-S20
C15	.02		BPD-002	DA-203	H-05S2	CCD-202	TA-120	TG-S20
C16	.02			DA-203	H-05S2		TA-120	TG-S20
C17	.002			DM-202	BYA10D2		GP220	5HK-D20
C18	.05			DA-503	H-05S5		TA-150	TG-S50

CONTROLS

All wattages 1/2 watt, or less, unless otherwise listed.

ITEM No.	USE	RESISTANCE	REPLACEMENT DATA				
			MOTOROLA PART No.	CENTRALAB PART No.	CLAROSTAT PART No.	CTS-IRC PART No.	MALLORY PART No.
R1	Volume & Switch	5000Ω	18K647388				

RESISTORS

All wattages 1/2 watt, or less, unless otherwise listed.

ITEM No.	RATING	REPLACEMENT DATA			ITEM No.	RATING	REPLACEMENT DATA		
		IRC PART No.	WORKMAN PART No.	REMARKS			IRC PART No.	WORKMAN PART No.	REMARKS
R2	15K				R14	68K			
R3	33K				R15	220Ω			
R4	1000Ω				R16	2200Ω			
R5	68K				R17	68K			
R6	1500Ω				R18	6800Ω			
R7	560Ω				R19	220Ω			
R8	2200Ω				R20	10K			
R9	6800Ω				R21	470Ω			
R10	39K				R22	5600Ω			
R11	560Ω				R23	200Ω Cold			Pt. #6B60519A01
R12	5600Ω				R24	10Ω			
R13	4700Ω				R25	100Ω			

PARTS LIST AND DES

COILS (RF-IF)

ITEM No.	USE	REPLACEMENT DATA					NOTES
		MOTOROLA PART No.	Merit PART No.	Miller PART No.	Stancor PART No.	Workman PART No.	
L1	Loopstick Osc. 1st IF 2nd IF 3rd IF	24B60715A01					
L2		24C60741A01					
L3		24K646566					
L4		24K646137					
L5		24K646138					

TRANSFORMER (DRIVER)

ITEM No.	TURNS RATIO		REPLACEMENT DATA					NOTES
			MOTOROLA PART No.	Merit PART No.	Stancor PART No.	Thordarson PART No.	Triad PART No.	
	PRI.	SEC.						
T1	1.8	1	25B646174					

TRANSFORMER (AUDIO OUTPUT)

ITEM No.	IMPEDANCE		REPLACEMENT DATA					NOTES
			MOTOROLA PART No.	Merit PART No.	Stancor PART No.	Thordarson PART No.	Triad PART No.	
	PRI.	SEC.						
T2	350Ω CT	6-8Ω	25B646133					

SPEAKER

ITEM No.	TYPE			REPLACEMENT DATA		NOTES
				MOTOROLA PART No.	QUAM PART No.	
	SIZE	FIELD	V. C. IMP.			
SP1	2 3/4"	PM	6-8Ω	50B60558A01	27A06Z12	

RIPTIONS (Continued)

BATTERIES

ITEM No.	VOLTAGE	MOTOROLA PART No.	REPLACEMENT DATA						NOTES
			BURGESS		EVEREADY		MALLORY		
			"A"	"B"	"A"	"B"	"A"	"B"	
M1	1½V			930		1015		M-15R	4 Required

MISCELLANEOUS

ITEM No.	PART NAME	MOTOROLA PART No.	NOTES
M2	Tuning Cap. Printed Board Ass'y.	19B60609A01 1V60040A38	2 Gang Less all Components. Includes Printed Board Part #84C60705A01

CABINETS & CABINET PARTS

(When Ordering Cabinets & Cabinet Parts, Specify Model, Chassis & Color)

NAME	PART NO.	DESCRIPTION
Dial Scale	34B60656A01	
Dial Window	81A60643A01	
Knob, Tuning	36B60578A02	Tuning
Knob, Volume	36B60657A01	Volume
Cabinet Back	1V60040A37	Jade, Model X26J
Cabinet Back	1V60040A38	White, Model X26W
Cabinet Front	1V60046A26	White, Includes Window, Model X26W
Cabinet Front	1V60046A27	Jade, Includes Window, Model X26J
Carrying Strap	55A60698A01	

WIRING DATA

General-use Unshielded Hook-up Wire	Use BELDEN No. 8530 (Solid 22AWG)	Available
	8524 (Stranded 22AWG)	in
	8570 (Stranded 26AWG)	12 Colors