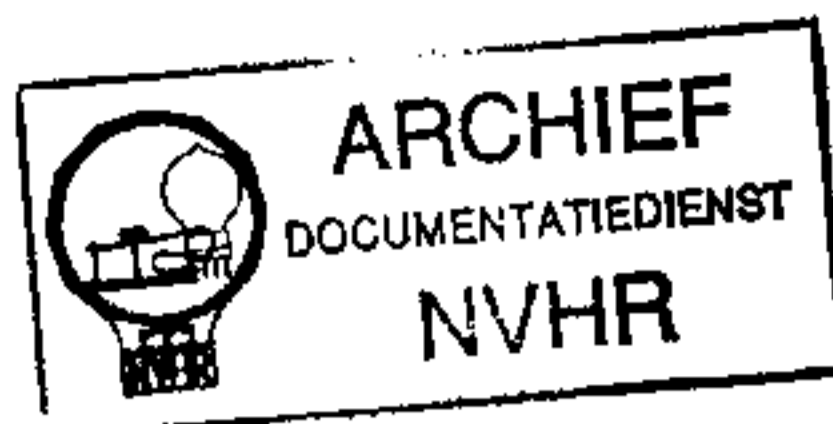
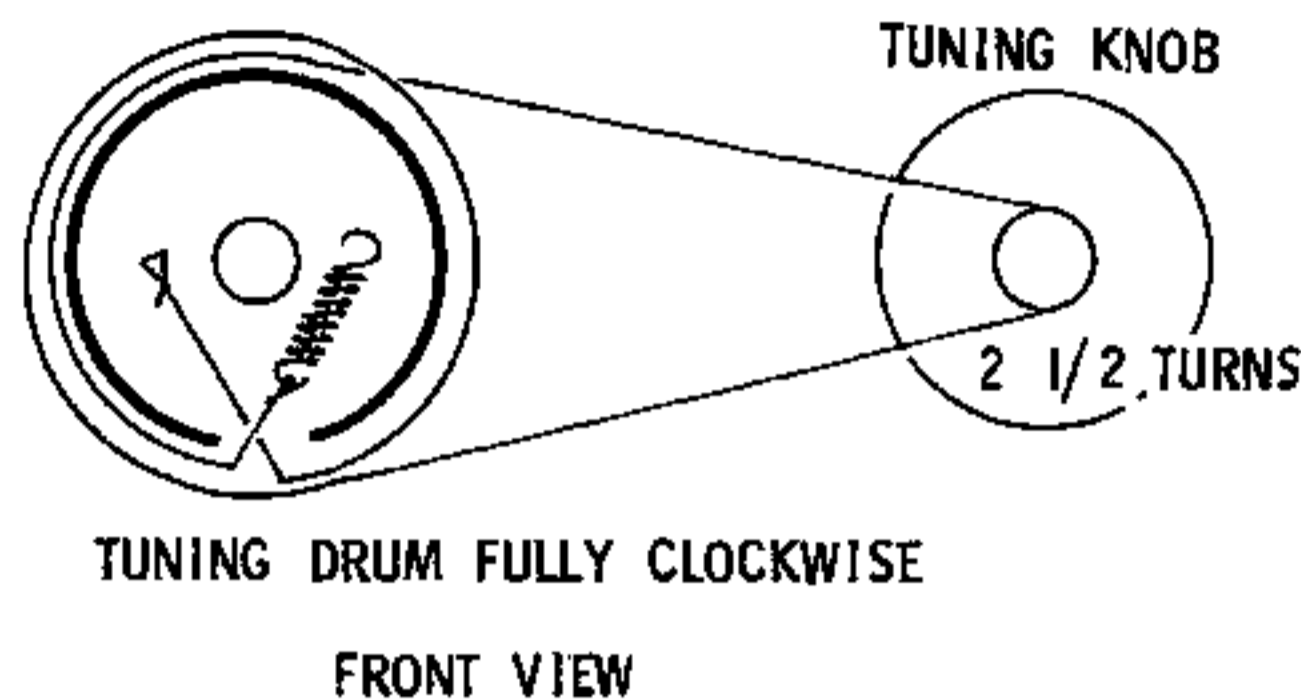


Ned. Ver. v. Historie v/d Radio



Met dank aan Jef Bos



TRADE NAME	Motorola Models X25E, X25J (Ch. HS-882)		
MANUFACTURER	Motorola Inc., 4545 W. Augusta Blvd., Chicago 51, Illinois		
TYPE SET	Battery Operated Transistorized Portable AM Receiver		
POWER SUPPLY	9 Volts DC	RATING	5MA @ 9 Volts DC (No Signal, Min. Volume)
TUNING RANGE—BROADCAST	532 — 1620KC		10MA @ 9 Volts DC (Signal, Normal Volume)

ALIGNMENT INSTRUCTIONS

ALIGNMENT INSTRUCTIONS—READ CAREFULLY BEFORE ATTEMPTING ALIGNMENT						
Volume control should be at maximum position. Output of signal generator should be no higher than necessary to obtain an output reading.						
Suggested Alignment Tools:						
A1 thru A4..... GENERAL CEMENT #8607, 9291, 9294						
WALSCO #2520, 2522, 2523, 2524, 2534, 2537						
A5, A7..... GENERAL CEMENT #5000, 5003, 5066, 8276, 8290, 9087, 9089						
WALSCO #2512, 2525, 2528						
	SIGNAL GENERATOR COUPLING	SIGNAL GENERATOR FREQUENCY	RADIO DIAL SETTING	OUTPUT METER	ADJUST	REMARKS
1.	Fashion loop of several turns of wire and radiate signal into loop of receiver.	455KC (400% Mod.)	Tuning gang fully open.	Across voice coil.	A1, A2, A3	Adjust for maximum output.
2.	"	532KC	Tuning gang fully closed.	"	A4	Adjust for maximum output while rocking tuning gang.
3.	"	1620KC	Tuning gang fully open.	"	A5	Adjust for maximum output.
4.	"	600KC	600KC	"	A6	Adjust for maximum output by moving antenna coil turns along ferrite core.
5.	"	1400KC	1400KC	"	A7	Adjust for maximum output. Repeat steps 2 thru 5.

HOWARD W. SAMS & CO., INC. Indianapolis 6, Indiana



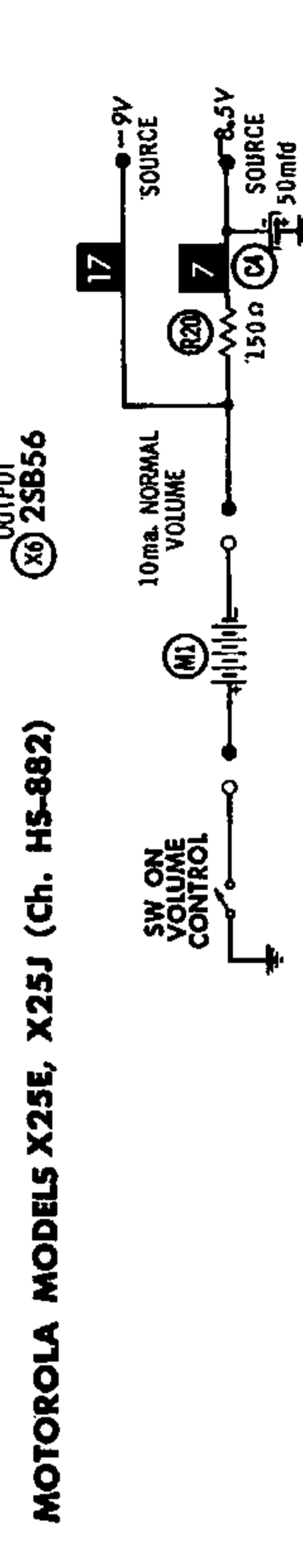
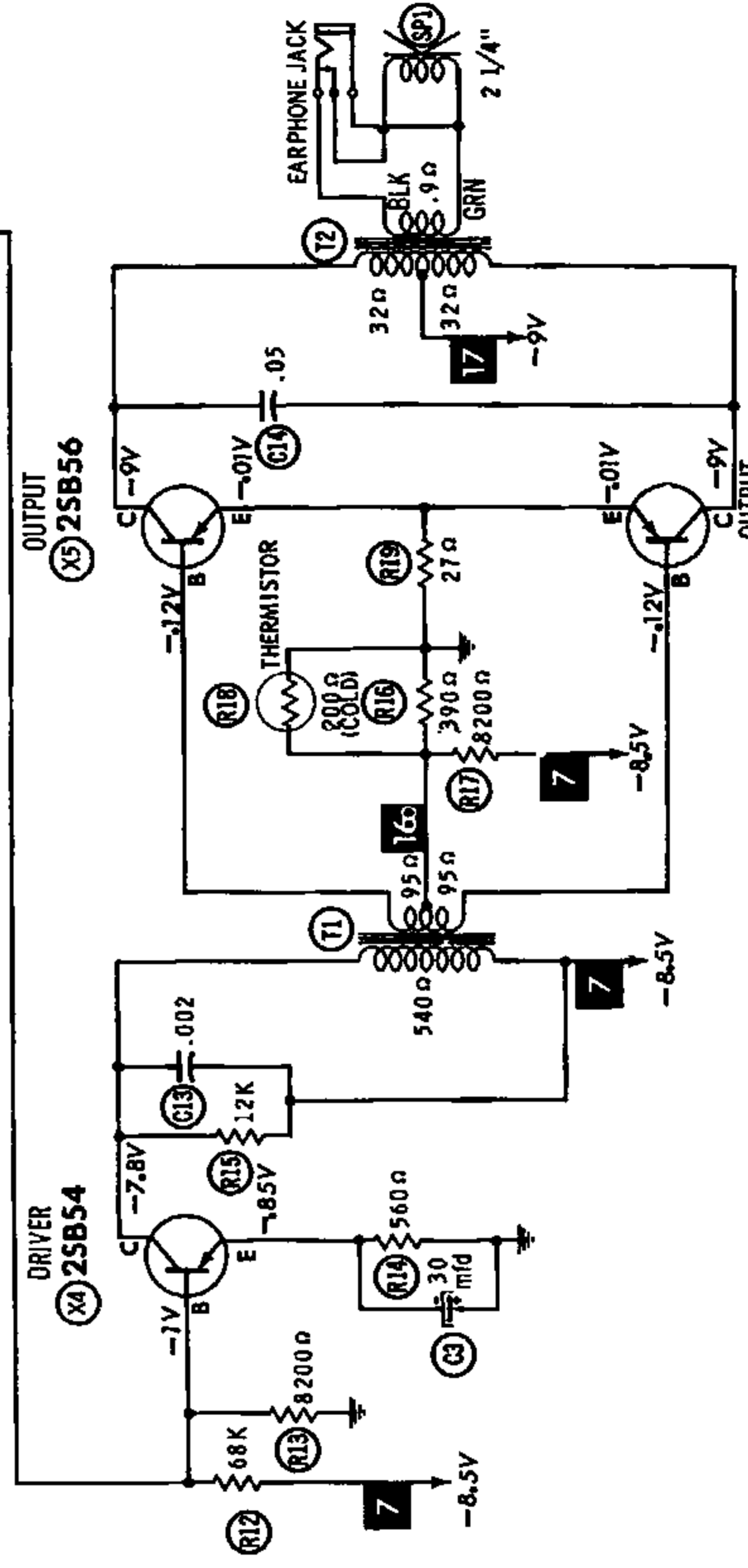
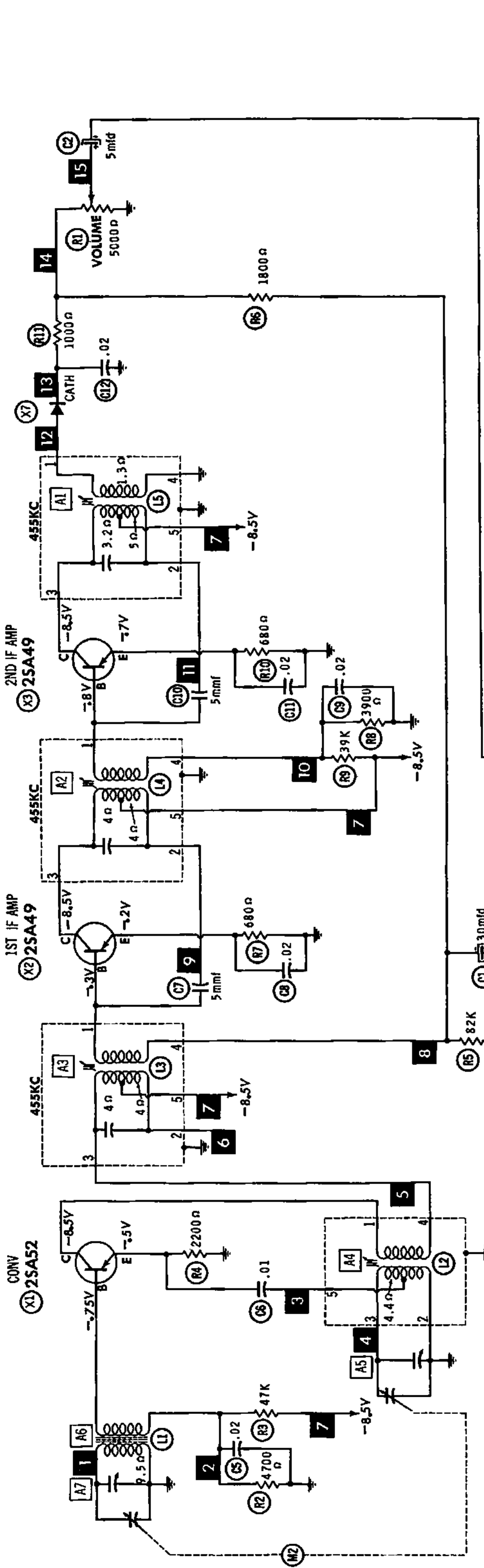
The listing of any available replacement part herein does not constitute in any case a recommendation, warranty or guaranty by Howard W. Sams & Co., Inc., as to the quality and suitability of such replacement part. The numbers of these parts have been compiled from information furnished to Howard W. Sams & Co., Inc., by the manufacturers of LF183

the particular type of replacement part listed. Reproduction or use, without express permission, of editorial or pictorial content, in any manner, is prohibited. No patent liability is assumed with respect to the use of the information contained herein. © 1962 Howard W. Sams & Co., Inc., Indianapolis 6, Indiana. Printed in U.S. of America

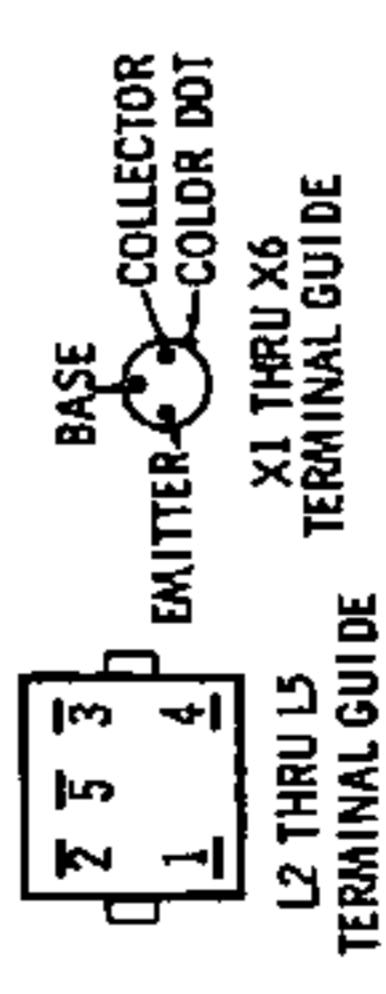
CONV
(X1) 2SA52

1ST IF AMP
(X2) 2SA49

2ND IF AMP
(X3) 2SA49



MOTOROLA MODELS X25E, X25J (Ch. HS-882)
 A PHOTOFACT STANDARD NOTATION SCHEMATIC
 with **CIRCUITACE**
 © Howard W. Sams & Co., Inc. 1962



RESISTANCE MEASUREMENTS NOT GIVEN BECAUSE OF THE WIDE VARIATION IN INTERNAL TRANSISTOR RESISTANCE.

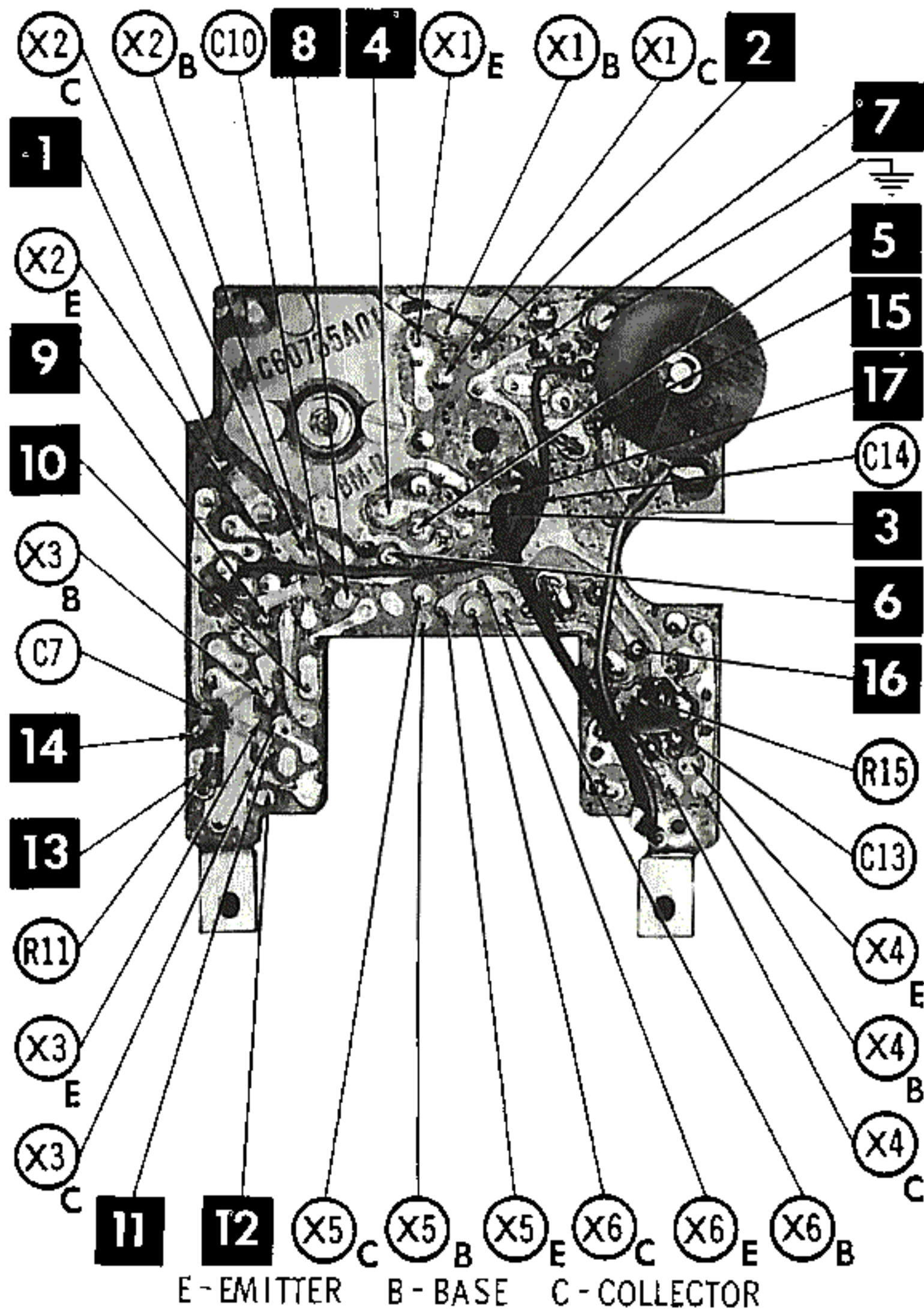
NUMBERS ASSIGNED TO COILS, SWITCHES, PLUGS, SOCKETS, AND TRANSFORMERS ARE TO FACILITATE CIRCUIT TRACING OR COMPONENT REPLACEMENT AND MAY NOT NECESSARILY BE FOUND ON THE UNIT.

DC COIL RESISTANCE VALUES UNDER ONE OHM NOT SHOWN ON SCHEMATIC DIAGRAM
 1. DC voltage measurements taken with vacuum tube voltmeter.
 2. Socket connections or transistor terminals are shown as bottom views.
 3. Measured values are from socket pin or terminal to common ground.
 4. Nominal tolerance on component values makes possible a variation of ±15% in voltage and resistance readings.
 5. Volume control at maximum, no signal applied for voltage measurements.

A PHOTOFACT STANDARD NOTATION SCHEMATIC with **CIRCUITACE**

PRINTED BOARD

A Howard W. Sams **CIRCUITRACE** Photo



PARTS LIST AND DESCRIPTIONS (Continued)

COILS (RF-IF)

ITEM No.	USE	REPLACEMENT DATA					NOTES
		MOTOROLA PART No.	Merit PART No.	Miller PART No.	Stancor PART No.	Workman TV PART No.	
L1	Loopstick Osc. 1st IF 2nd IF 3rd IF	24B80860A03					
L2		24C80527A01					
L3		24C80513A01					
L4		24C80513A02					
L5		24C80513A03					

TRANSFORMER (DRIVER)

ITEM No.	TURNS RATIO		REPLACEMENT DATA					NOTES
	PRI.	SEC.	MOTOROLA PART No.	Merit PART No.	Stancor PART No.	Thordarson PART No.	Triad PART No.	
T1	2	1	25B60484A01			TR-40		

TRANSFORMER (AUDIO OUTPUT)

ITEM No.	IMPEDANCE		REPLACEMENT DATA					NOTES
	PRI.	SEC.	MOTOROLA PART No.	Merit PART No.	Stancor PART No.	Thordarson PART No.	Triad PART No.	
T2	2500Ω CT	6-8Ω	25B60483A01					

SPEAKER

ITEM No.	TYPE			REPLACEMENT DATA		NOTES
	SIZE	FIELD	V. C. IMP.	MOTOROLA PART No.	QUAM PART No.	
SP1	2 1/4"	PM	6-8Ω	50B80555A01	22A06Z8	

BATTERIES

ITEM No.	VOLTAGE	MOTOROLA PART No.	REPLACEMENT DATA						NOTES
			BURGESS		EVEREADY		MALLORY		
			"A"	"B"	"A"	"B"	"A"	"B"	
M1	9V			P6M		226		M-1800	

MISCELLANEOUS

ITEM No.	PART NAME	MOTOROLA PART No.	NOTES
M2	Tuning Cap. Printed Board Ass'y.	19B80499A01 1V80030A93	2 Gang Less all Components, Includes Printed Board #84C60735A01

CABINETS & CABINET PARTS

(When Ordering Cabinets & Cabinet Parts, Specify Model, Chassis & Color)

NAME	PART NO.	DESCRIPTION
Dial Scale	34B80882A01	Black, Model X25E Jade, Model X25J Black, Model X25E Jade, Model X25J
Knob, Tuning	36B80679A01	
Knob, Volume	36B80681A01	
Cabinet Back	1V80030A90	
Cabinet Back	1V80030A91	
Cabinet Front	16E80633A01	
Cabinet Front	16E80633A02	

WIRING DATA

General-use Unshielded Hook-up Wire	Use BELDEN No. 8530 (Solid 22AWG)	Available
	8524 (Stranded 22AWG)	in
	8570 (Stranded 26AWG)	12 Colors

CHASSIS—TOP VIEW

