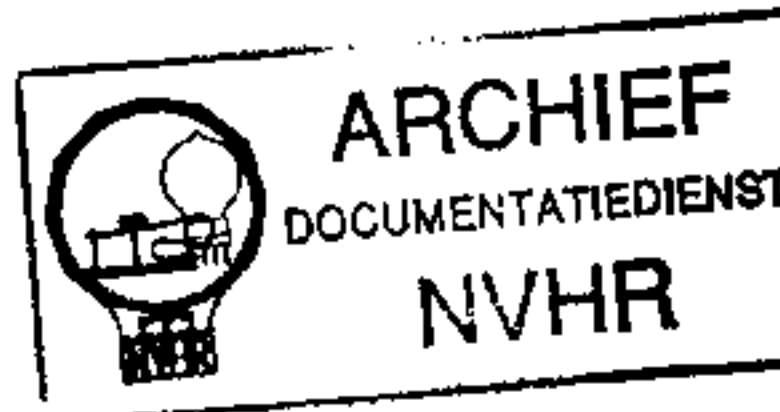
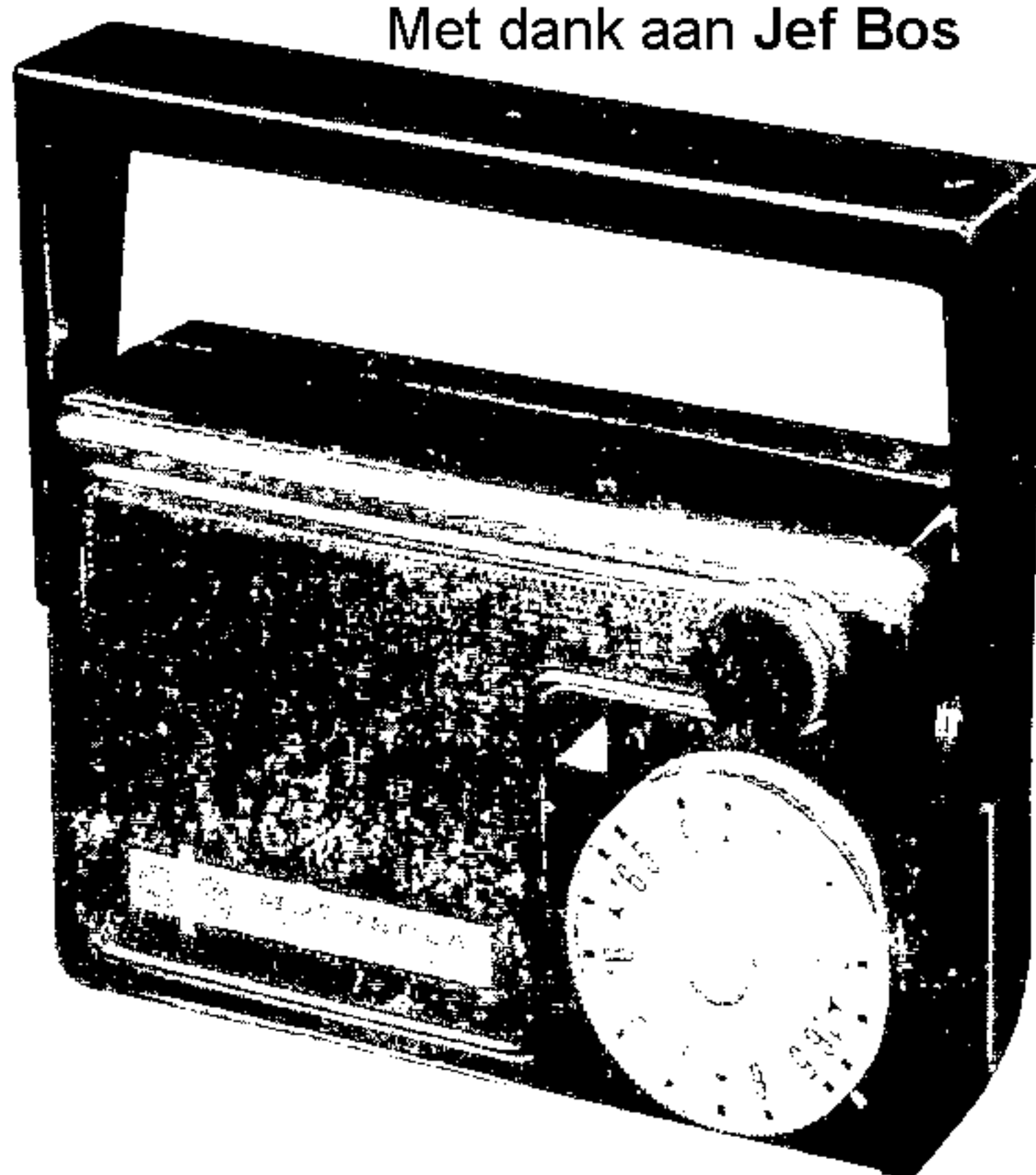




Met dank aan Jef Bos Ned. Ver. v. Historie



TRADE NAME	Motorola Model 66T1 (Ch. HS-556)		
MANUFACTURER	Motorola Inc., 4545 W. Augusta Blvd., Chicago 51, Illinois		
TYPE SET	Battery Operated Portable AM Transistorized Receiver		
POWER SUPPLY	6 Volts DC	RATING	BMA @ 6 Volts DC
TUNING RANGE--BROADCAST	530KC-1620KC		

ALIGNMENT INSTRUCTIONS--READ CAREFULLY BEFORE ATTEMPTING ALIGNMENT

Volume control should be at maximum position. Output of signal generator should be no higher than necessary to obtain an output reading. Use an insulated alignment screwdriver for adjusting.

DUMMY ANTENNA	SIGNAL GENERATOR COUPLING	SIGNAL GENERATOR FREQUENCY	RADIO DIAL SETTING	OUTPUT METER	ADJUST	REMARKS
1. .1MFD	High side to antenna stator lug on tuning gang. Low side to chassis.	455KC (400% Mod.)	Tuning gang fully open.	Across earphone jack.	A1, A2, A3	Adjust for maximum output.
2.	Loop	1620KC	"	"	A4	Fashion loop of several turns of wire and radiate signal into loop of receiver. Adjust for maximum output.
3.	"	1400KC	Tune to 1400KC signal.	"	A5	"

The following steps are not necessary unless osc. coil core (A6) has been tampered with or associated components have been replaced. Adjust oscillator trimmer (A4) 1/4 turn from tight.

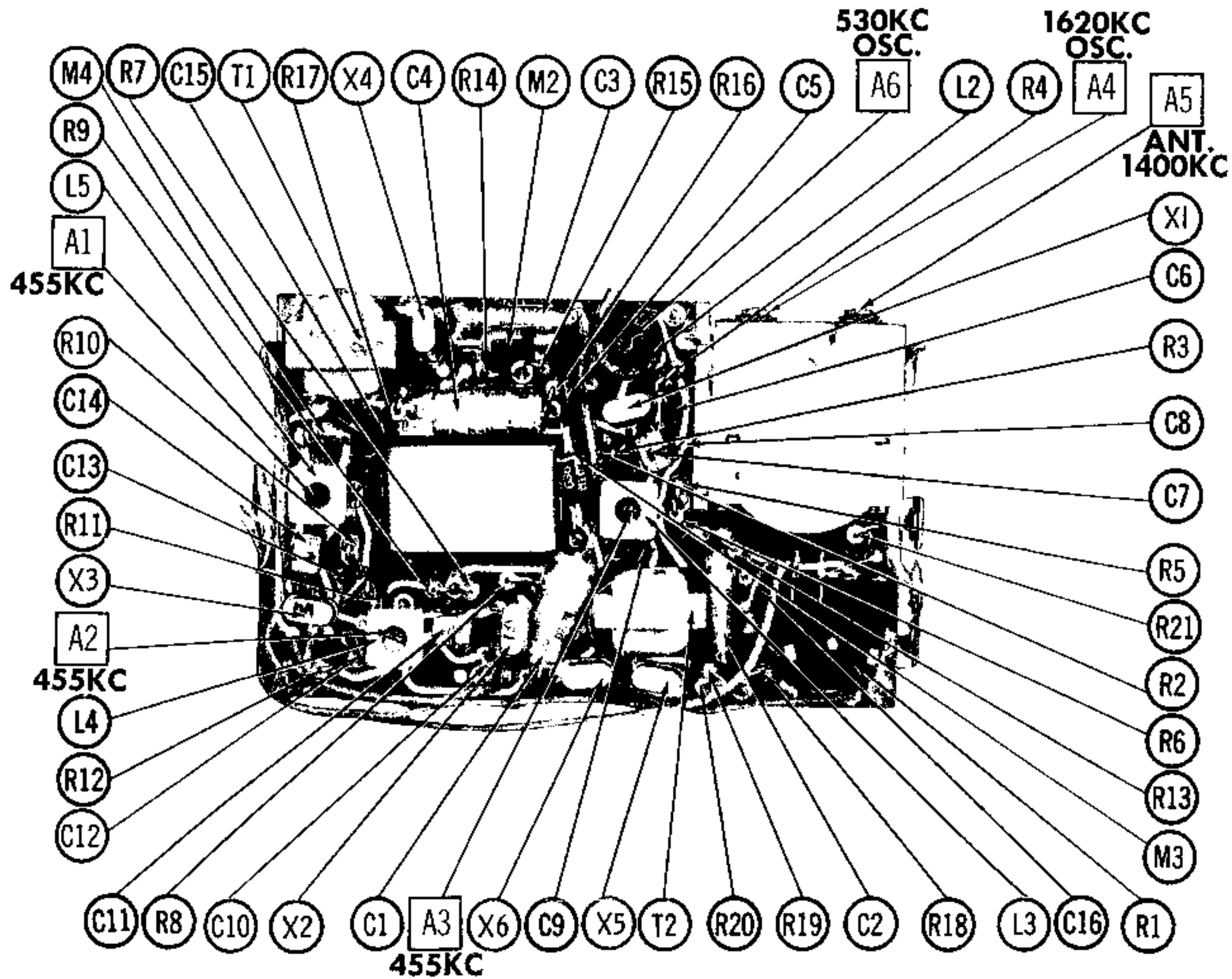
4.	Loop	530KC	Tuning gang fully closed.	Across earphone jack.	A6	Fashion loop of several turns of wire and radiate signal into loop of receiver. Adjust for maximum output.
5.	"	1620KC	Tuning gang fully open.	"	A4	Fashion loop of several turns of wire and radiate signal into loop of receiver. Adjust for maximum output. Repeat steps 4 & 5 until required range is covered, making step 5 the last adjustment.
6.	Loop	1400KC	Tune to 1400KC signal.	Across earphone jack.	A5	"

HOWARD W. SAMS & CO., INC. • Indianapolis 5, Indiana

"The listing of any available replacement part herein does not constitute in any case a recommendation, warranty or guaranty by Howard W. Sams & Co., Inc., as to the quality and suitability of such replacement part. The numbers of these parts have been compiled from information furnished to Howard W. Sams & Co., Inc., by the manufacturers of the particular type of replacement part listed."

"Reproduction or use, without express permission, of editorial or pictorial content, in any manner, is prohibited. No patent liability is assumed with respect to the use of the information contained herein. Copyright 1957 by Howard W. Sams & Co., Inc., Indianapolis 5, Indiana, U. S. of America. Copyright under international Copyright Union. All rights reserved under Inter-American Copyright Union (1910) by Howard W. Sams & Co., Inc." Printed in U. S. of America

G966



CHASSIS TOP VIEW

PARTS LIST AND DESCRIPTIONS

TRANSISTORS

ITEM No.	USE	TYPE	NOTES	ITEM No.	USE	TYPE	NOTES
X1	Converter (2N172)	48C124216		X4	Driver (2N185)	48C124219	Note 2
X2	1st IF (2N145)	48C124220	Note 1	X5	Output (2N185)	48C124219	
X3	2nd IF (2N147)	48C124221	Note 1	X6	Output (2N185)	48C124219	

Note 1. X2 & X3 may be type 2N146 (Part #48C124218).
 Note 2. Type 354 may be used in some versions.

ELECTROLYTIC CAPACITORS

ITEM No.	RATING		REPLACEMENT DATA						SPRAGUE PART No.
	CAP.	VOLT.	MOTOROLA PART No.	AEROVOX PART No.	CORNELL-DUBILIER PART No.	MALLORY PART No.	PYRAMID PART No.	SANGAMO PART No.	
C1	50	10	23K635407	XPP10V50	NL50-10	TT10X50			R2305 *
C2	6	10	23K636769	XPP12V5	NL6-25	TT12X5	ML6-15		TE-1203
C3	6	10	23K636769	XPP12V5	NL6-25	TT12X5	ML6-15		TE-1203
C4	50	10	23K635407	XPP10V50	NL50-10	TT10X50			R2305 *

* Non-Catalog Item.

FIXED CAPACITORS

Capacity values given in the rating column are in mfd. for Paper Capacitors, and in mmfd. for Mica and Ceramic Capacitors.

ITEM No.	RATING		REPLACEMENT DATA						NOTES	
	CAP.	VOLT	MOTOROLA PART No.	AEROVOX PART No.	CENTRALAB PART No.	CORNELL-DUBILIER PART No.	ERIE PART No.	MALLORY PART No.		SPRAGUE PART No.
C5	40000		21B635399							
C6	10000		21K635404							
C7	390	500	21K124827	1468-00039	DD-391	5W5T39	ED-390	UC-5339	1FM-339	
C8	10000		21K635404							
C9	10000		21K635404							
C10	10000		21K635404							
C11	390	500	21K124827	1468-00039	DD-391	5W5T39	ED-390	UC-5339	1FM-339	
C12	10000		21K635404							
C13	10000		21K635404							
C14	390	500	21K124827	1468-00039	DD-391	5W5T39	ED-390	UC-5339	1FM-339	
C15	40000		21K636380							
C16	200000		21K636014							

CONTROLS

ITEM No.	RATING		REPLACEMENT DATA				INSTALLATION NOTES	
	RESISTANCE	WATTS	MOTOROLA PART No.	CENTRALAB PART No.	CLAROSTAT PART No.	IRC PART No.		MALLORY PART No.
R1	10K	1/4	18K636772					Volume & Switch

RESISTORS

All wattages 1/2 watt, or less, unless otherwise listed.

ITEM No.	RATING		REPLACEMENT DATA		NOTES	ITEM No.	RATING		REPLACEMENT DATA		NOTES
	OHMS	WATT	MOTOROLA PART No.	IRC PART No.			OHMS	WATT	MOTOROLA PART No.	IRC PART No.	
R2	33K		6R6410	BTS-33K		R12	1000Ω		6K121301	BTS-1000	
R3	100K		6R6031	BTS-100K		R13	1500Ω		6R8038	BTS-1500	
R4	1500Ω		6R6038	BTS-1500		R14	68K		6R6074	BTS-68K	
R5	470Ω		6R6090	BTS-470		R15	10K		6R6320	BTS-10K	
R6	18K		6R5591	BTS-18K		R16	220Ω		6R6270	BTS-220	
R7	2200Ω		6R6069	BTS-2200		R17	2700Ω		6R5577	BTS-2700	
R8	1000Ω		6K121301	BTS-1000		R18	68Ω		6R2039	BTS-68	
R9	10K		6R6320	BTS-10K		R19	10Ω		6R5621	BTS-10	
R10	470Ω		6R6090	BTS-470		R20	10Ω		6R5621	BTS-10	
R11	2200Ω		6R6069	BTS-2200		R21	100Ω		6R6326	BTS-100	

PARTS LIST AND DESCRIPTIONS (Continued)

TRANSFORMER (DRIVER)

ITEM No.	TURNS RATIO		REPLACEMENT DATA					NOTES	
	PRI.	SEC.	MOTOROLA PART No.	Halldorson PART No.	Merit PART No.	Stancor PART No.	Thordarson PART No.		Triad PART No.
T1	1.5:	1	25B636770	GH113 ①			TR-3 ①		① Tape Center Tap On Primary Winding. Use Original Term. Board.

TRANSFORMER (AUDIO OUTPUT)

ITEM No.	IMPEDANCE		REPLACEMENT DATA					NOTES	
	PRI.	SEC.	MOTOROLA PART No.	Halldorson PART No.	Merit PART No.	Stancor PART No.	Thordarson PART No.		Triad PART No.
T2	325Ω CT	13Ω	25B636771	GH119 ①			TR-16 ①		① Use Original Terminal Board.

SPEAKER

ITEM No.	TYPE			REPLACEMENT DATA		NOTES
	SIZE	FIELD	V. C. IMP.	MOTOROLA PART No.	QUAM PART No.	
SP1	2 3/4"	PM	13Ω	50K636775		

COILS (RF-IF)

ITEM No.	USE	REPLACEMENT DATA				NOTES
		MOTOROLA PART No.	MEISSNER PART No.	MERIT PART No.	MILLER PART No.	
L1	Loop Stick	1V636794				Includes Handle Note 1 Note 2 Note 3
L2	Osc. Coil	24K636773				
L3	1st. IF	24K635484				
L4	2nd IF	24C635403				
L5	3rd IF	24K635641				

Note 1. Alternate Part #24D636674 has internal 390MMF primary trimmer.

Note 2. Alternate Part #24K636668 or 24K636675 has internal 390MMF primary trimmer.

Note 3. Alternate Part #24K636676 has internal 390MMF primary trimmer.

BATTERIES

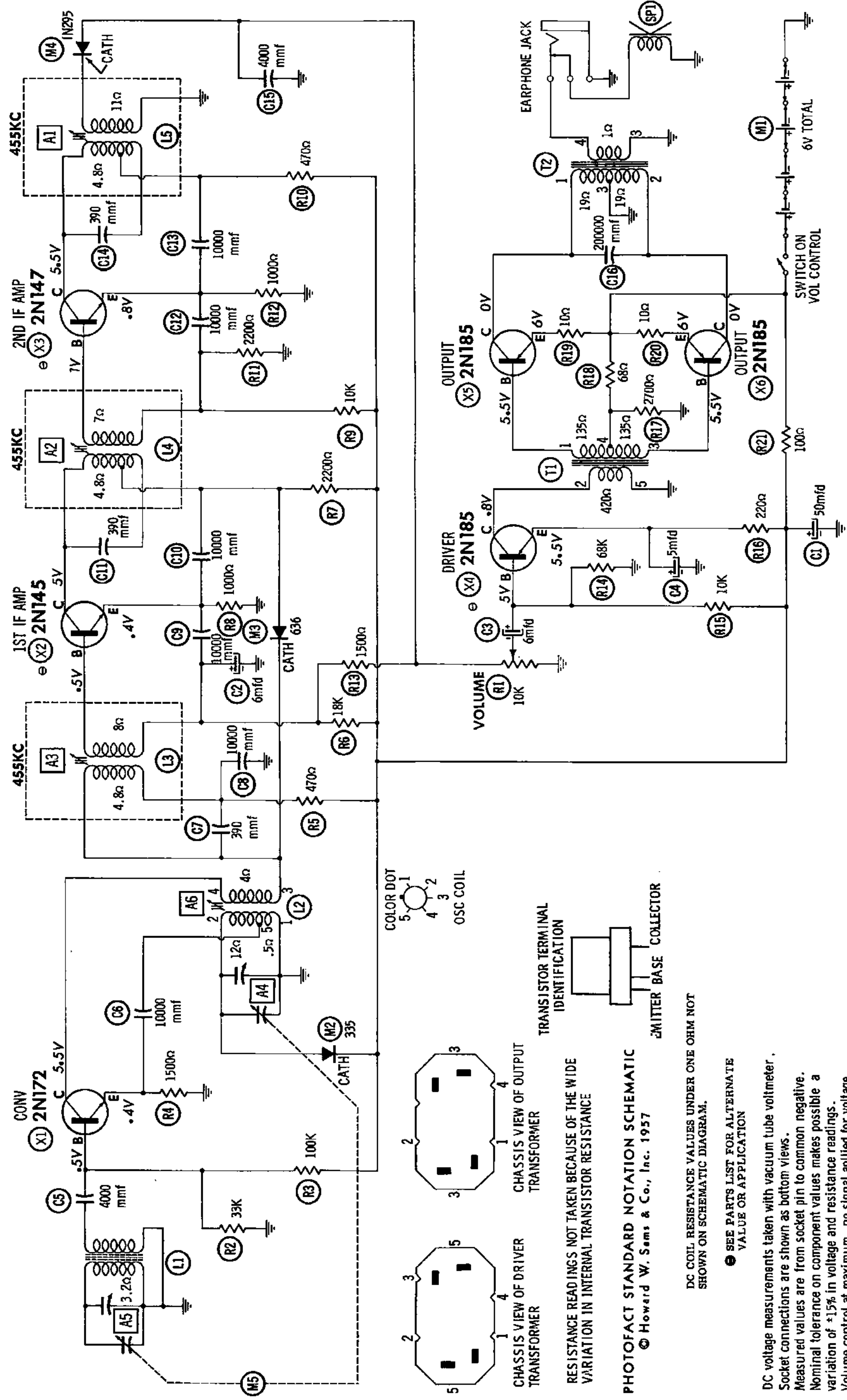
ITEM No.	VOLTAGE	MOTOROLA PART No.	REPLACEMENT DATA								NOTES
			BURGESS		EVEREADY		MALLORY		RAY-O-VAC		
			"A"	"B"	"A"	"B"	"A"	"B"	"A"	"B"	
M1	6V		Z		915		M-15 or Mercury type ZM-9		7-R		Use 4 in series

CRYSTAL DIODES

ITEM No.	ORIG. TYPE	REPLACEMENT DATA		NOTES
		MOTOROLA PART No.	SYLVANIA PART No.	
M2	335	48K636691	IN60	Limiter (Pigtail)
M3	636	48K636691	IN60	Limiter (Pigtail)
M4	IN295	48K636778	IN60	Audio Det. (Pigtail)

MISCELLANEOUS

ITEM No.	PART NAME	MOTOROLA PART No.	NOTES
M5	Tuning Cap. Knob Knob Cabinet Handle Earphone Jack	19B635410 36C685520 36K636759 16E636760 1V636794 9B633266	2 Gang (Ant. 10-132MMF) Tuning Volume Includes L1



1. DC voltage measurements taken with vacuum tube voltmeter.
2. Socket connections are shown as bottom views.
3. Measured values are from socket pin to common negative.
4. Nominal tolerance on component values makes possible a variation of ±15% in voltage and resistance readings.
5. Volume control at maximum. no signal applied for voltage measurements.