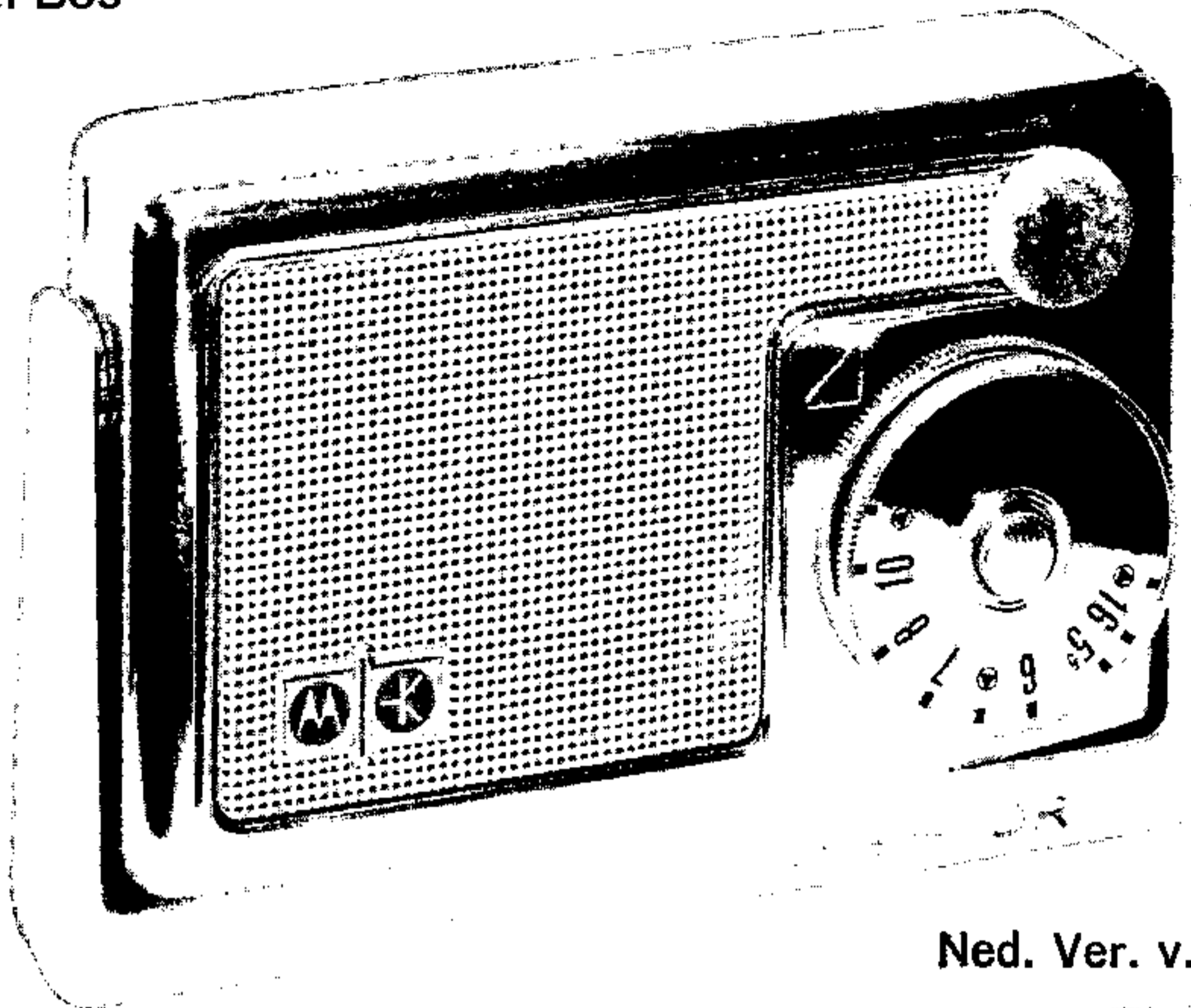
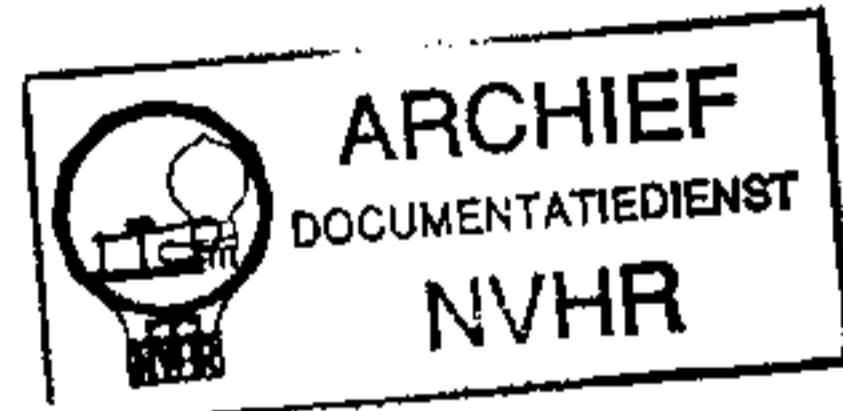




Met dank aan Jef Bos



Ned. Ver. v. Historie v/c



TRADE NAME Motorola Model 56T1 (Ch. HS-483)  
 MANUFACTURER Motorola Inc., 4545 W. Augusta Blvd., Chicago 51, Illinois  
 TYPE SET Battery Operated Portable Transistorized AM Superheterodyne Receiver

POWER SUPPLY 9 Volt Battery

RATING 6MA @ 9 Volts DC

TUNING RANGE—BROADCAST 530KC-1620KC

**ALIGNMENT INSTRUCTIONS—READ CAREFULLY BEFORE ATTEMPTING ALIGNMENT**

Volume control should be at maximum position. Output of signal generator should be no higher than necessary to obtain an output reading. Use an insulated alignment screwdriver for adjusting.  
 Bent paper clip with end flattened may be used to adjust A5 and A6 without removing chassis from cabinet.

DUMMY ANTENNA	SIGNAL GENERATOR COUPLING	SIGNAL GENERATOR FREQUENCY	RADIO DIAL SETTING	OUTPUT METER	ADJUST	REMARKS
1. .1MFD	High side to antenna stator lug on tuning gang. Low side to chassis.	455KC (400%Mod)	Tuning gang fully open	Across voice coil	A1, A2, A3	Adjust for maximum output.
2.	Loop	1620KC	"	"	A4	"
3.	"	1400KC	Tune to 1400KC signal	"	A5	"
Following steps not necessary unless oscillator coil has been tampered with or in case of component replacement in oscillator circuit. If necessary, set oscillator trimmer screw 1/4 turn from tight position before beginning this portion of alignment.						
4.	Loop	530KC	Tuning gang fully closed	Across voice coil	A6	Adjust for maximum output.
5.	"	1620KC	Tuning gang fully open	"	A4	Adjust for maximum output. Repeat steps 4 and 5 until oscillator covers required range.
6.	"	1400KC	Tune to 1400KC signal	"	A5	Adjust for maximum output.

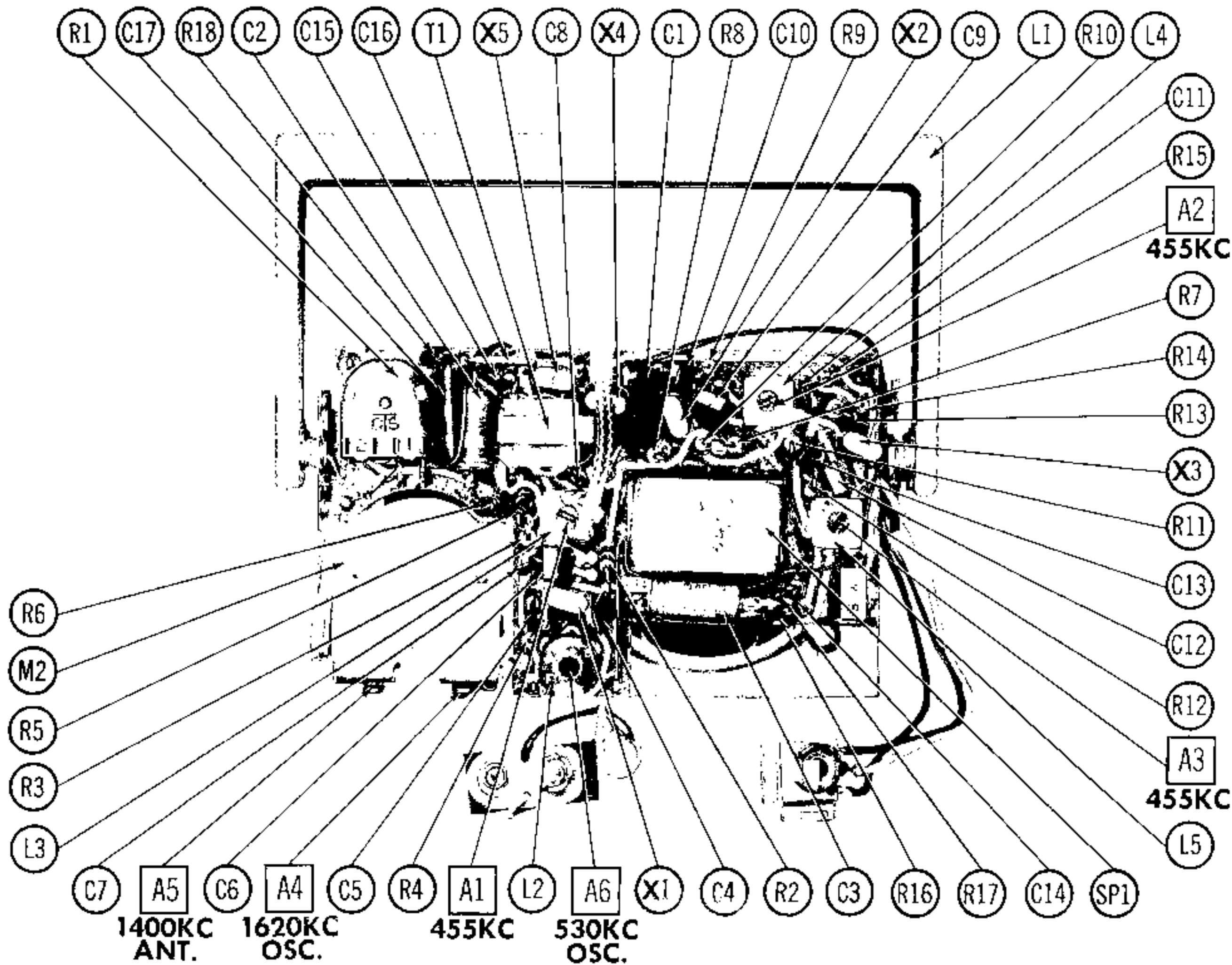
**CHASSIS DISASSEMBLY**

1. Pull volume control knob from shaft.
2. Remove tuning knob screw. Remove tuning knob.
3. Remove chassis mounting screw located behind tuning knob.
4. Open rear cover. Unsolder grounding braid from L3 (1st. IF transformer).
5. Turn handle perpendicular to the chassis.
6. Disengage handle from chassis, one side at a time.
7. Remove chassis, handle and speaker assembly from cabinet.

**HOWARD W. SAMS & CO., INC. • Indianapolis 5, Indiana**

"The listing of any available replacement part herein does not constitute in any case a recommendation, warranty or guaranty by Howard W. Sams & Co., Inc., as to the quality and suitability of such replacement part. The numbers of these parts have been compiled from information furnished to Howard W. Sams & Co., Inc., by the manufacturers of the particular type of replacement part listed."  
 "Reproduction or use, without express permission, of editorial or pictorial con-

tent, in any manner, is prohibited. No patent liability is assumed with respect to the use of the information contained herein. Copyright 1956 by Howard W. Sams & Co., Inc., Indianapolis 5, Indiana, U. S. of America. Copyright under international Copyright Union. All rights reserved under Inter-American Copyright Union (1910) by Howard W. Sams & Co., Inc." Printed in U. S. of America



CHASSIS-TOP VIEW

# PARTS LIST AND DESCRIPTIONS

## TRANSISTORS

ITEM No.	USE	TYPE	NOTES	ITEM No.	USE	TYPE	NOTES
X1	Converter	2N172	Note 1	X4	Det. -AVC-AF Amplifier Output	R35	Note 4
X2	1st. IF Amplifier	2N146	Note 2	X5		3S4	
X3	2nd. IF Amplifier	2N146	Note 3				

Note 1. Type 820 may be used in some versions. Use 2N172 when replacing.

Note 2. Type 2N147 may be used in some versions. (Part #48C124221). Use original type when replacing.

Note 3. Type 2N145 may be used in some versions. (Part #48C124220). Use original type when replacing.

Note 4. Type 880 may be used in some versions. ( Use R35 when replacing.

## ELECTROLYTIC CAPACITORS

ITEM No.	RATING		REPLACEMENT DATA						
	CAP.	VOLT.	MOTOROLA PART No.	AEROVOX PART No.	CORNELL-DUBILIER PART No.	MALLORY PART No.	PYRAMID PART No.	SANGAMO PART No.	SPRAGUE PART No.
C1	12	6	23B635406	XPP6V10	NL12	TAP20-12	ML10-6		TE-1089
C2	25	10	23K635408	XPPI0V25	NL21	TAP10-20	ML20-12		TE-1118
C3	50	10	23K635407	XPPI0V50	NL29		ML40-15		R2305 *

\* Non-catalog item.

## FIXED CAPACITORS

Capacity values given in the rating column are in mfd. for Paper Capacitors, and in mmfd. for Mica and Ceramic Capacitors.

ITEM No.	RATING		REPLACEMENT DATA						NOTES	
	CAP.	VOLT	MOTOROLA PART No.	AEROVOX PART No.	CENTRALAB PART No.	CORNELL-DUBILIER PART No.	ERIE PART No.	MALLORY PART No.		SPRAGUE PART No.
C4	40000	500	21B835399	BPD-01	DD-103	K082	811-01	DC-511	5HK-S1	
C5	10000		21K635404							
C6	390	21K114740								
C7	10000	21K635404								
C8	10000	21K635404								
C9	390	21K114740								
C10	10000	21K635404								
C11	10000	21K635404								
C12	390	21K114740								
C13	10000	21K635404								
C14	10000	21K635404								
C15	40000	21B635399								
C16	2200	500	BPD-0022	D6-222	K072	811-0022	UC-5222	5HK-D22	Note 1	
C17	200000		21K636014							

Note 1. Not used in some versions.

## CONTROLS

ITEM No.	RATING		REPLACEMENT DATA				INSTALLATION NOTES	
	RESISTANCE	WATTS	MOTOROLA PART No.	CENTRALAB PART No.	CLAROSTAT PART No.	IRC PART No.		MALLORY PART No.
R1	1000Ω	1/2	18B635405					Volume & Switch

## RESISTORS

All wattages 1/2 watt, or less, unless otherwise listed.

ITEM No.	RATING		REPLACEMENT DATA		NOTES	ITEM No.	RATING		REPLACEMENT DATA		NOTES
	OHMS	WATT	MOTOROLA PART No.	IRC PART No.			OHMS	WATT	MOTOROLA PART No.	IRC PART No.	
R2	100K		6R6031	BTS-100K		R11	4700Ω		6R6080	BTS-4700	
R3	470Ω		6R6090	BTS-470		R12	470Ω		6R6090	BTS-470	
R4	1500Ω 5%		6R6038	BTS-1500		R13	330Ω		6R6022	BTS-330	
R5	22K		6R6397	BTS-22K		R14	1000Ω		6R6229	BTS-1000	
R6	4700Ω		6R6080	BTS-4700		R15	3900Ω		6R5659	BTS-3900	
R7	470Ω		6R6090	BTS-470		R16	33K		6R6410	BTS-33K	
R8	1000Ω		6R6229	BTS-1000		R17	1000Ω		6R6229	BTS-1000	
R9	2200Ω		6R6089	BTS-2200		R18	120Ω		6R5551	BTS-120	
R10	22K		6R6397	BTS-22K							

# PARTS LIST AND DESCRIPTIONS (Continued)

## TRANSFORMER (AUDIO OUTPUT)

ITEM No.	IMPEDANCE		REPLACEMENT DATA					NOTES
	PRI.	SEC.	MOTOROLA PART No.	Halldorson PART No.	Merit PART No.	Stancor PART No.	Thordarson PART No.	
T1	400Ω	13.6Ω	25B635409				TR-19	

## SPEAKER

ITEM No.	RATINGS			REPLACEMENT DATA			NOTES
	SIZE	FIELD	V. C. IMP.	MOTOROLA PART No.	QUAM PART No.	RCA TYPE No.	
SP1	2 3/4"	PM	13.6Ω	50B635397			

## COILS (RF-IF)

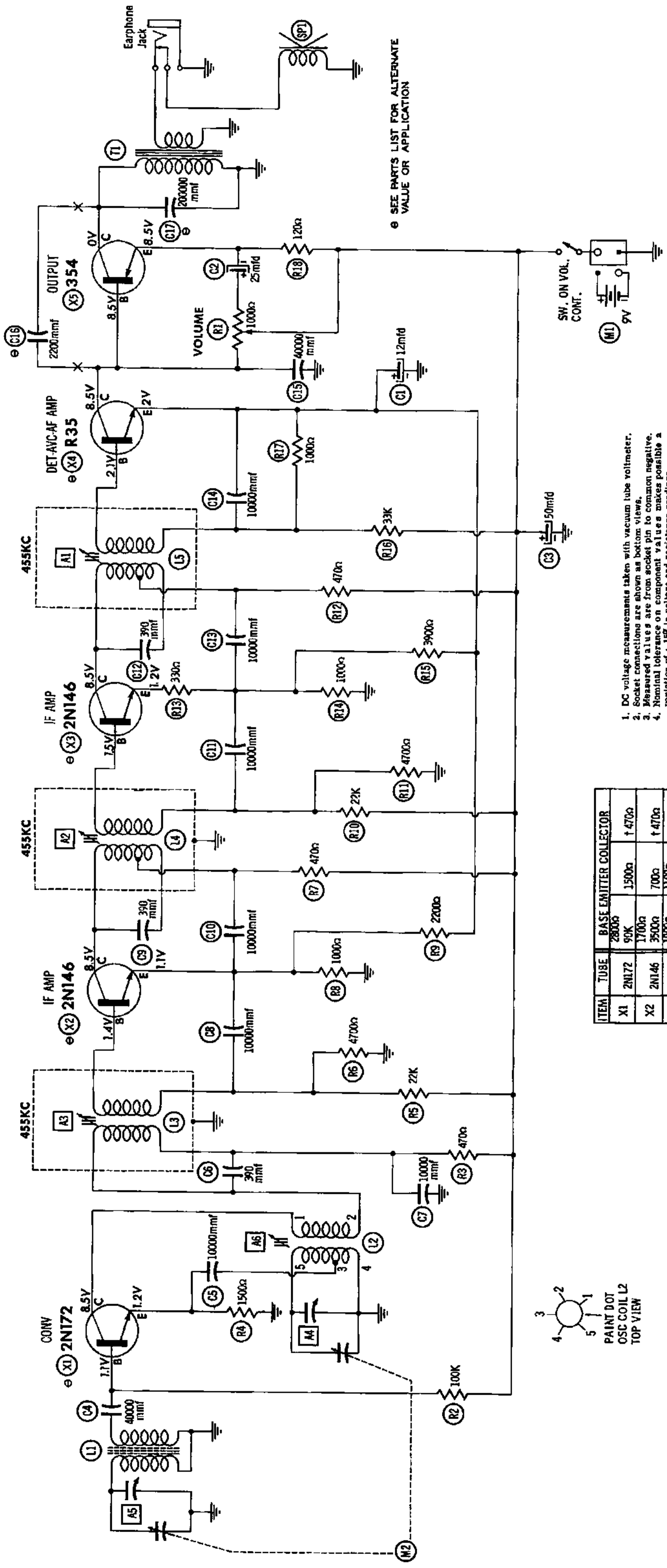
ITEM No.	USE	DC RES.		REPLACEMENT DATA				NOTES
		PRI.	SEC.	MOTOROLA PART No.	MEISSNER PART No.	MERIT PART No.	MILLER PART No.	
L1	Loop Stick	.3Ω	3.2Ω	1V635697				Includes cabinet handle * Tapped @ .4Ω ■ Tapped @ .5Ω ▲ Tapped @ .5Ω
L2	Osc. Coil	1.2Ω	8.2Ω*	24B635394				
L3	1st. IF Trans.	3.1Ω	1.2Ω	24K635484				
L4	2nd. IF Trans.	3.4Ω ■	1.2Ω	24C635403				
L5	3rd. IF Trans.	3.4Ω ▲	.9Ω	24K635641				

## BATTERIES

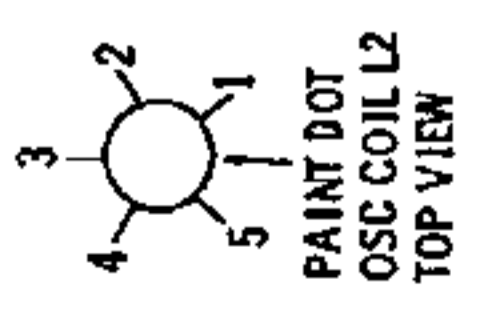
ITEM No.	VOLTAGE	MOTOROLA PART No.	REPLACEMENT DATA						INSTALLATION NOTES
			EVEREADY			BURGESS			
			"A"	"B"	"A-B"	"A"	"B"	"A-B"	
M1	9V			216			2U6		

## MISCELLANEOUS

ITEM No.	PART NAME	MOTOROLA PART No.	NOTES
M2	Tuning Cap. Cabinet Cabinet Cabinet Grille Handle Knob Knob	10B635410 16D635354 16K636169 16K636168 13B635571 1V635697 36C635520 36B635434	2 Gang Complete - less grille Back Front Cabinet Includes L1 Tuning On-off-volume



SEE PARTS LIST FOR ALTERNATE VALUE OR APPLICATION



ITEM	TUBE	BASE	EMITTER	COLLECTOR
X1	2N172	2800Ω	90K	† 470Ω
X2	2N146	1700Ω	3500Ω	700Ω
X3	2N146	1900Ω	3800Ω	1100Ω
X4	R35	2500Ω	† 600Ω	1500Ω
X5	354	† 600Ω	† 120Ω	30Ω

† MEASURED FROM POSITIVE SIDE OF C3.

1. DC voltage measurements taken with vacuum tube voltmeter.
2. Socket connections are shown as bottom views.
3. Measured values are from socket pin to common negative.
4. Nominal tolerance on component values makes possible a variation of ± 10% in voltage and resistance readings.
5. Volume control at maximum, no signal applied for voltage measurements.

A PHOTOFAC STANDARD NOTATION SCHEMATIC  
© Howard W. Sams & Co., Inc. 1956