

GENERAL INFORMATION

MODELS 49L11Q, 49L13Q;
Ch. HS-183

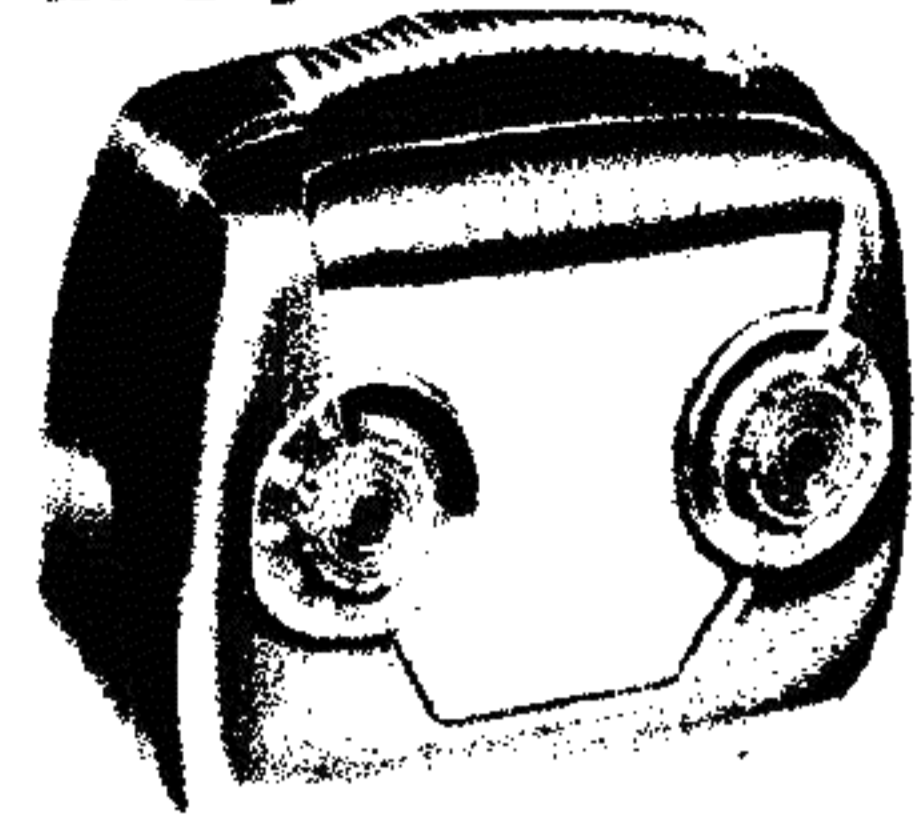
TYPE - A battery-operated portable receiver. Four miniature type tubes are used in a superheterodyne circuit.

TUNING RANGE - 535 to 1620 Kc **IF** - 455 Kc

TUBE COMPLEMENT - 1R5 - Converter
1U4 - IF Amplifier
1U5 - Detector, AVC & 1st AF Amplifier
3S4 - Power Amplifier

POWER SUPPLY - Operates from the following batteries:

Two 1-1/2V flashlight cells (Eveready #950 or equivalent)
One 67-1/2V 'B' battery (Eveready #467 or equivalent)



INSTALLATION & OPERATING INSTRUCTIONS

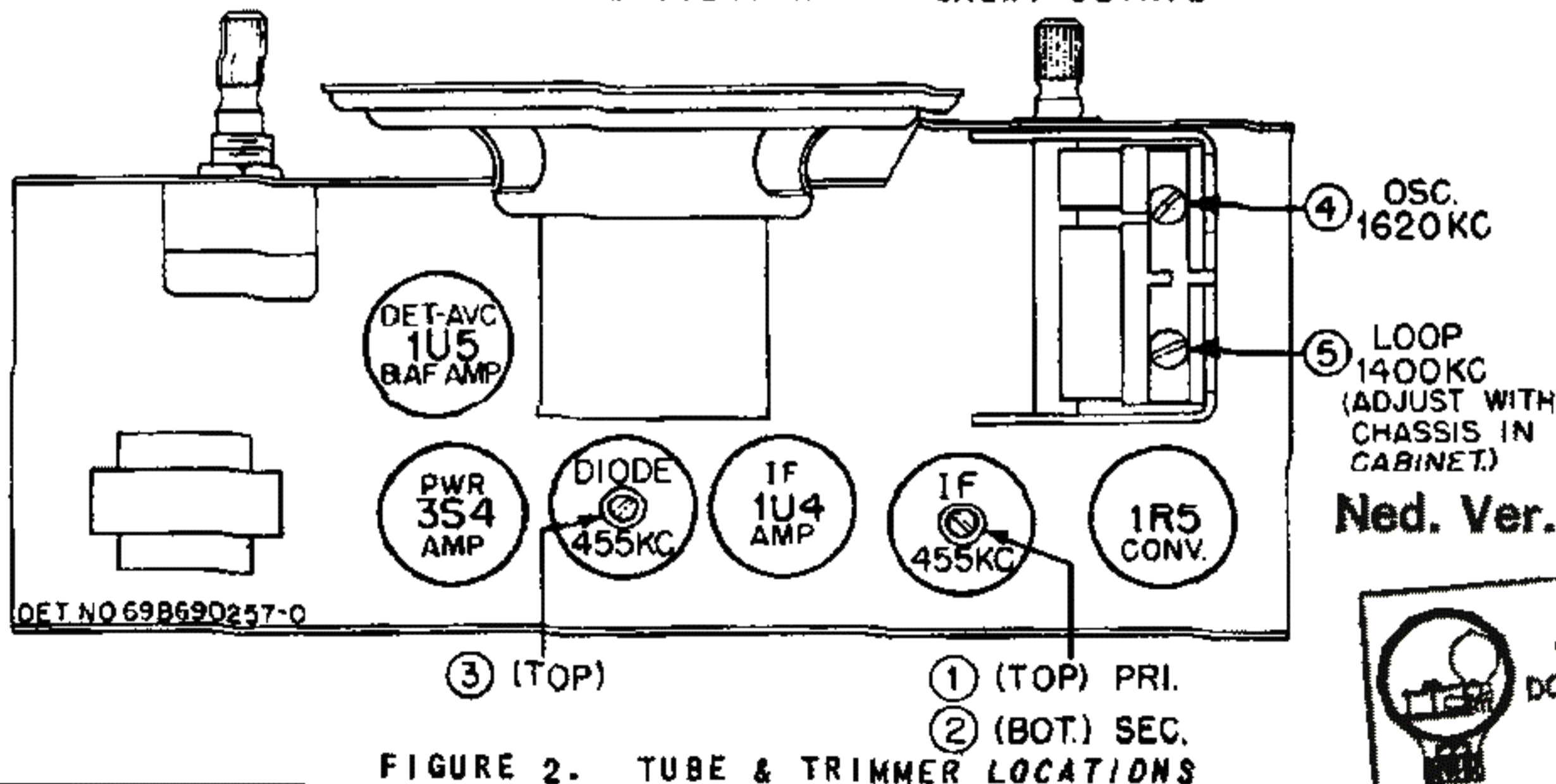
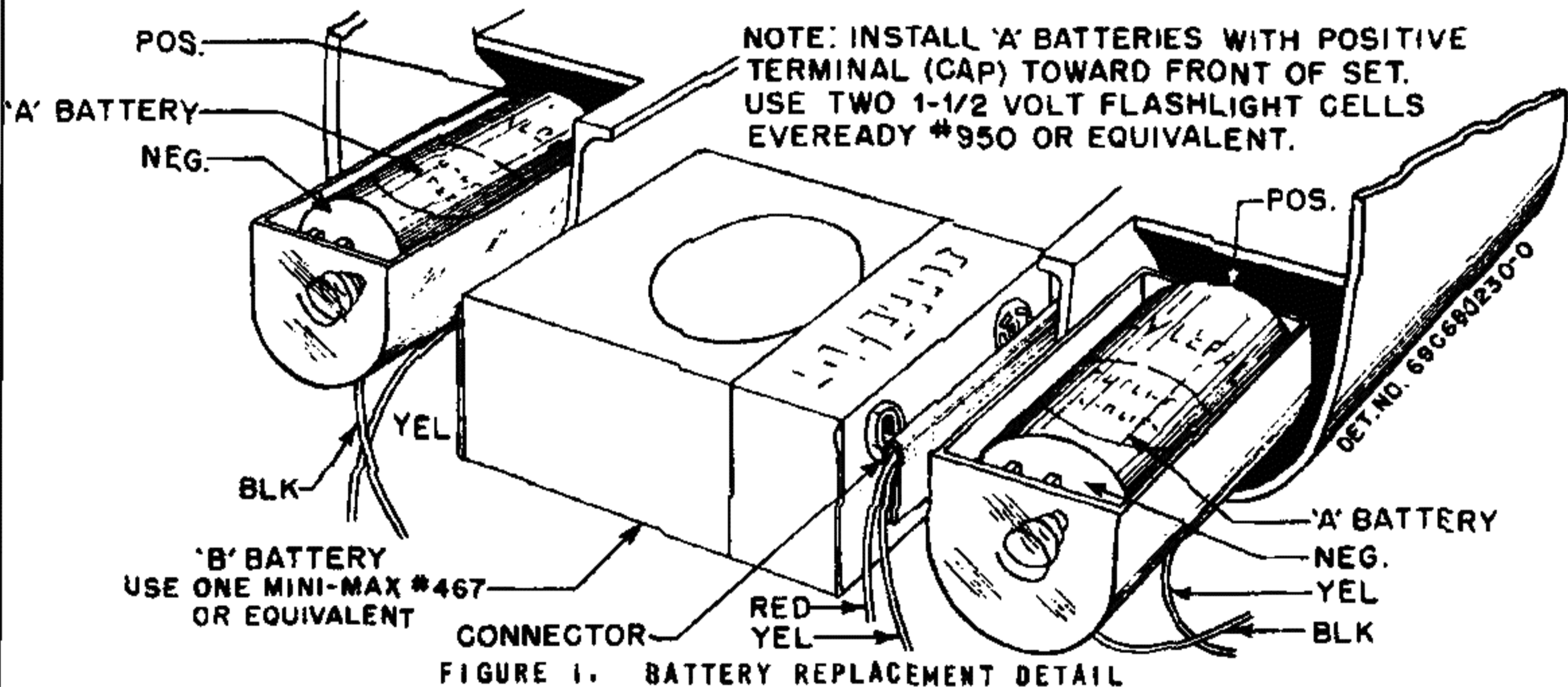
CONTROLS. The power switch is combined and operated with the volume (left-hand) knob.

BATTERY OPERATION. Open the rear cover and install the batteries. The rear cover is opened by inserting the fingertips into the slots under the handle and pulling back. See Figure 1 for complete battery installation instructions.

place the flashlight cells. Normally, the 67-1/2 volt 'B' battery will last for 3 or 4 changes of flashlight cells.

If the receiver is to be placed in storage, remove the batteries and store them in a cool place; this will prevent battery leakage and possible damage to the receiver. Replace or remove run-down batteries immediately, or they will leak and damage receiver.

When low volume or fuzzy tone is noticed, re-



Ned. Ver. v. Historie



Motorola HOME Radio

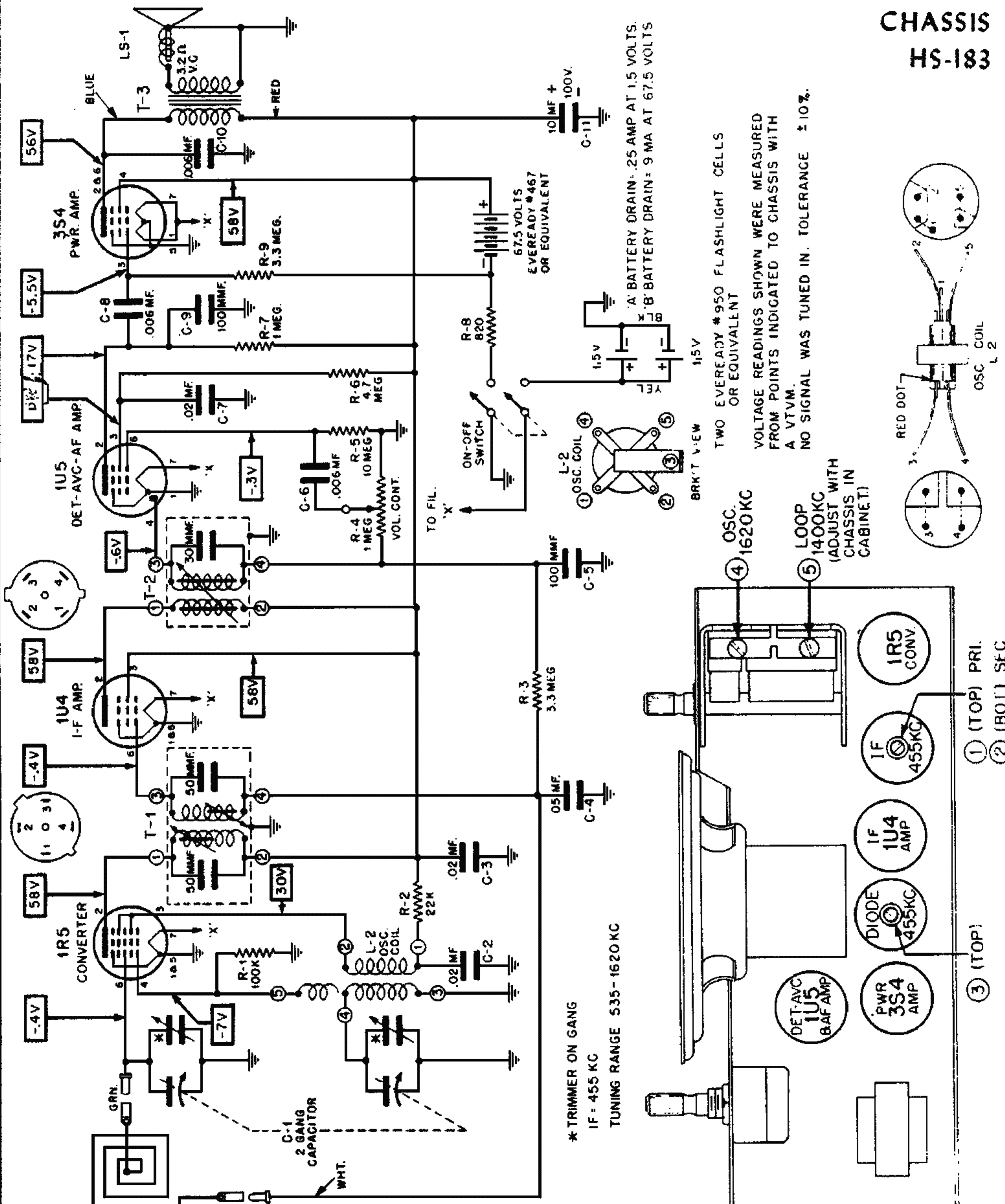
MODELS

49LIIQ

49LI3Q

CHASSIS

HS-183



* TRIMMER ON GANG
 IF = 455 KC
 TUNING RANGE 535-1620 KC

TWO EVEREADY #950 FLASHLIGHT CELLS
 OR EQUIVALENT

VOLTAGE READINGS SHOWN WERE MEASURED
 FROM POINTS INDICATED TO CHASSIS WITH
 A VTVM.
 NO SIGNAL WAS TUNED IN. TOLERANCE ± 10%.

