

Ned. Ver. v. Historie



□ = RESISTANCE MEASUREMENTS.

◐ = VOLTAGE MEASUREMENTS.

\* = MEASUREMENTS MAY VARY, DEPENDING ON CONDITION OF ELECTROLYTIC CAPACITOR.

TL = TIE LUG.

NG = NO CONNECTION.

CONDITIONS OF MEASUREMENTS

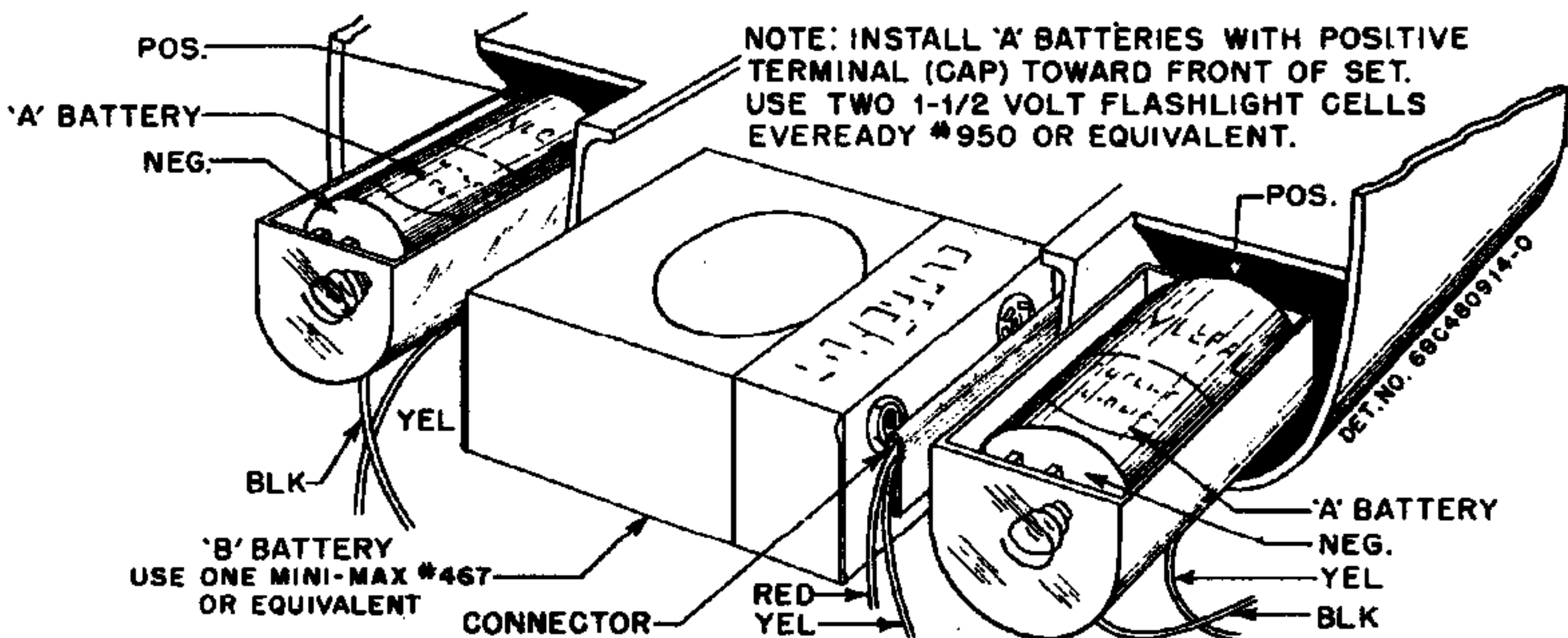
A VTVM WAS USED TO MAKE ALL MEASUREMENTS.

MEASUREMENTS ARE MADE FROM TUBE BASE PIN INDICATED TO CHASSIS.

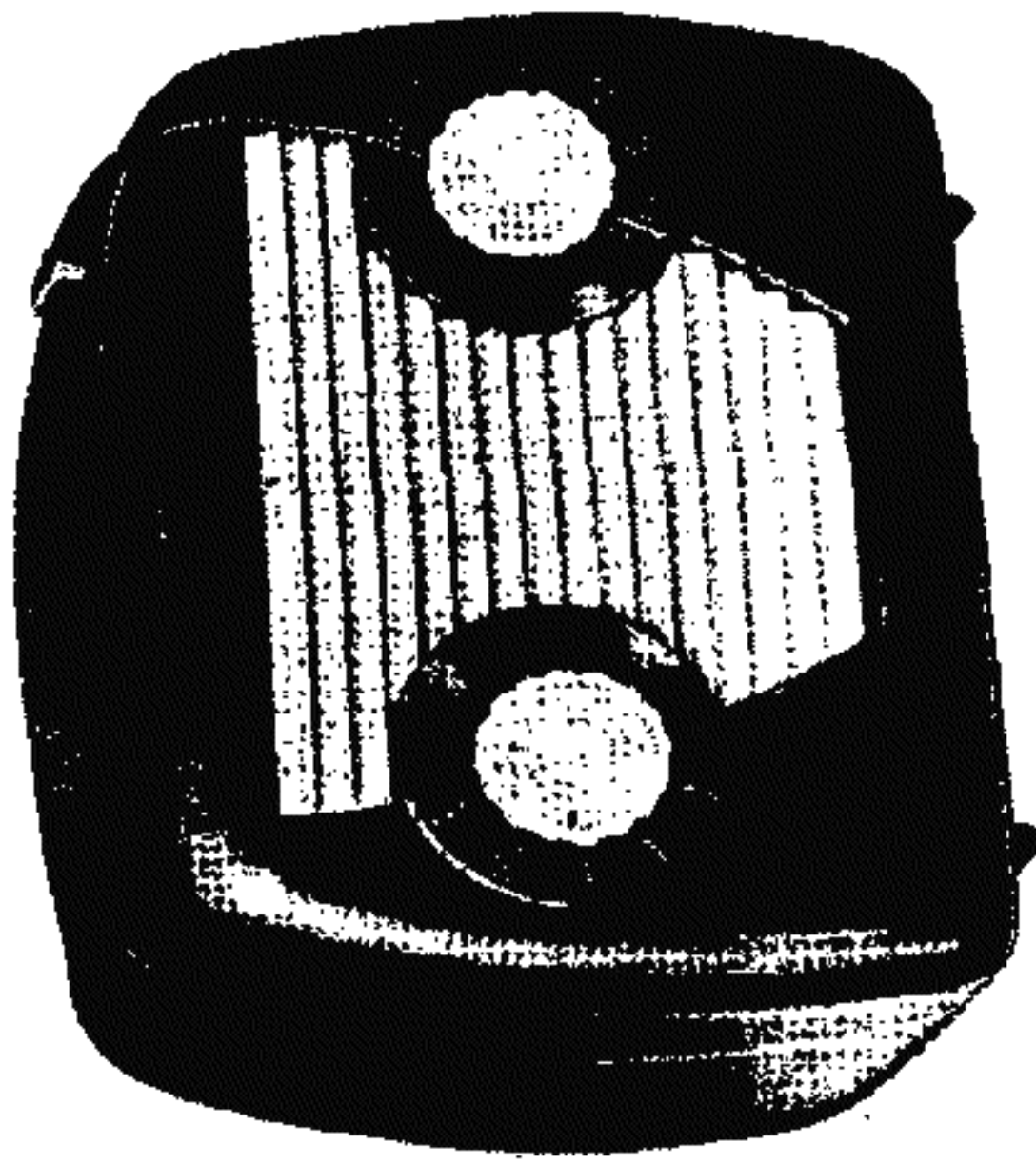
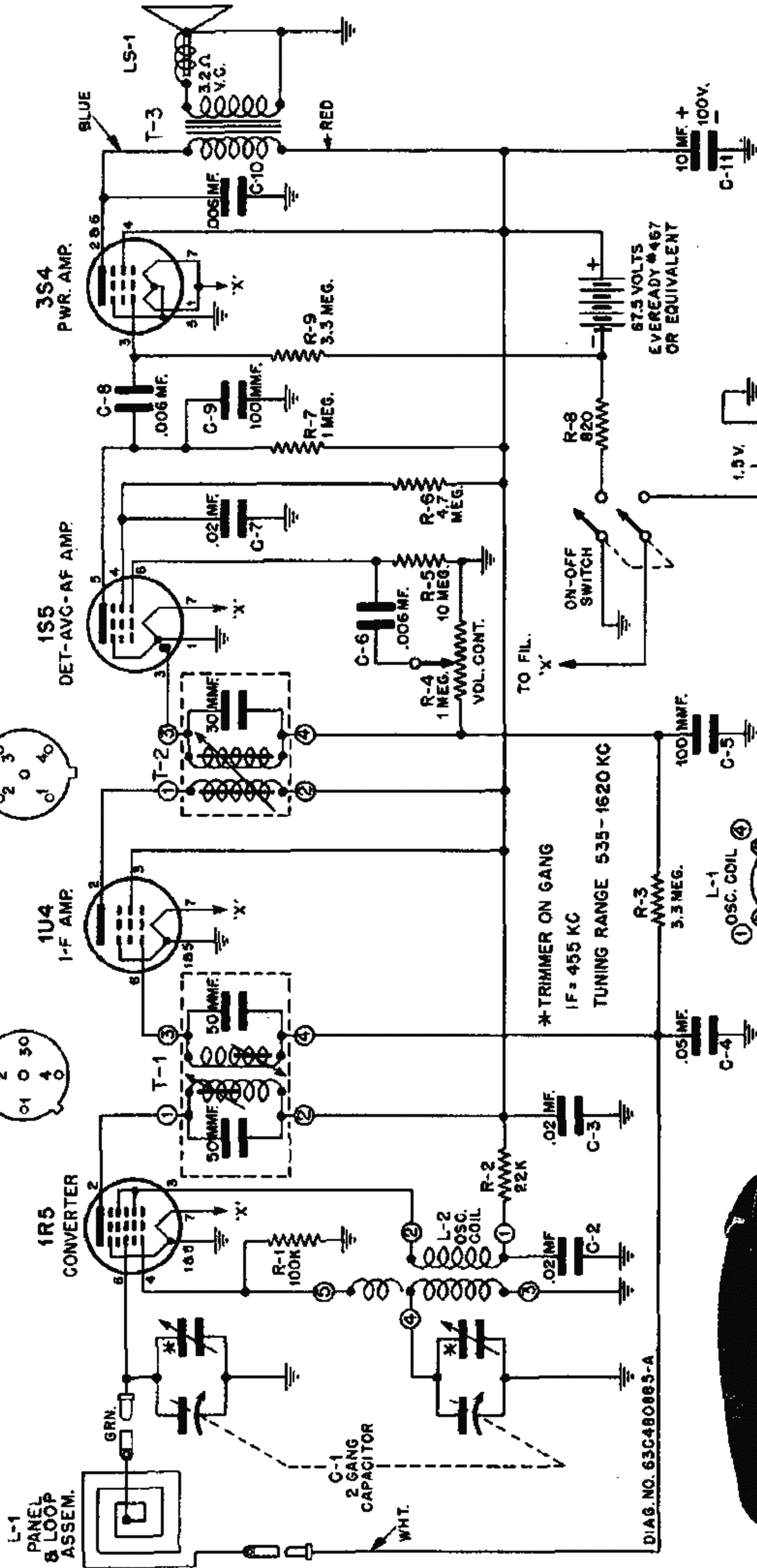
SET IS OPERATED FROM FRESH BATTERIES DURING VOLTAGE MEASUREMENTS.

VOLTAGE TOLERANCE  $\pm 10\%$ . RESISTANCE TOLERANCE  $\pm 20\%$ .

VOLTAGE & RESISTANCE DIAGRAM



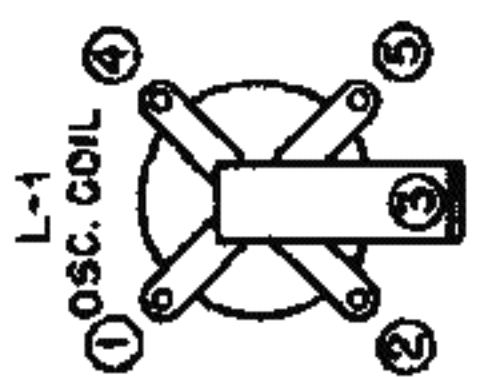
BATTERY REPLACEMENT DETAIL



'A' BATTERY DRAIN = .25 AMP AT 1.5 VOLTS.  
'B' BATTERY DRAIN = 9 MA. AT 67.5 VOLTS.

TWO EVEREADY #950 FLASHLIGHT CELLS OR EQUIVALENT.

- TUBE COMPLEMENT -
- 1R5 - Converter
  - 1U4 - 1-F Amplifier
  - 1S5 - Detector, AVC & 1st AF Amplifier
  - 3S4 - Power Amplifier



\* TRIMMER ON GANG  
IF = 455 KC  
TUNING RANGE 535 - 1620 KC

TO FIL.  
'X'

L-1  
PANEL  
& LOOP  
ASSEM.

C-1  
2 GANG  
CAPACITOR  
WHT.

DIAG. NO. 63C48085-A