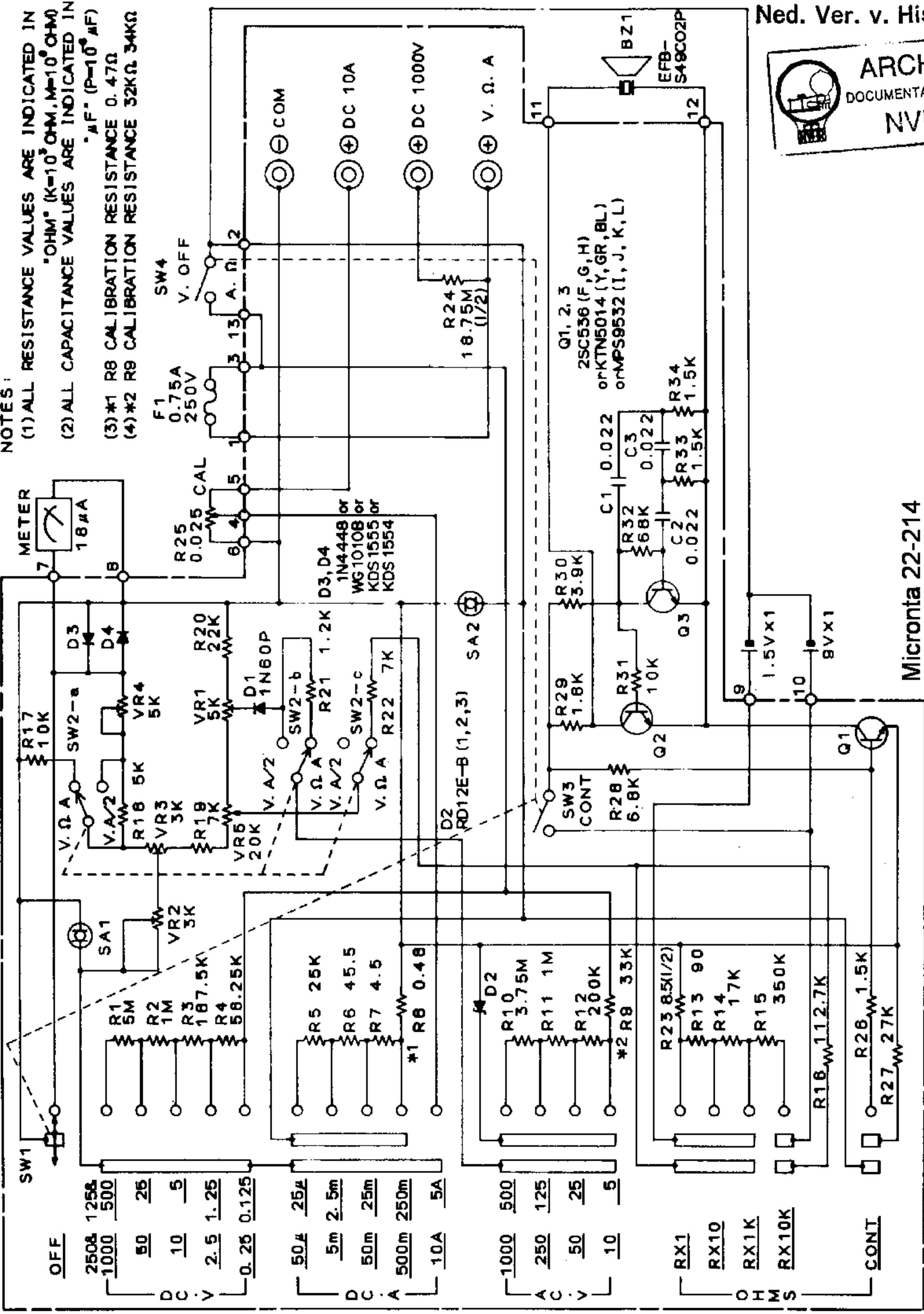




NOTES:

- (1) ALL RESISTANCE VALUES ARE INDICATED IN "OHM" (K=10³ OHM, M=10⁶ OHM)
- (2) ALL CAPACITANCE VALUES ARE INDICATED IN "uF" (P=10⁻⁶ uF)
- (3) *1 R8 CALIBRATION RESISTANCE 0.47u
- (4) *2 R8 CALIBRATION RESISTANCE 32K u 34K u



Micronta 22-214