

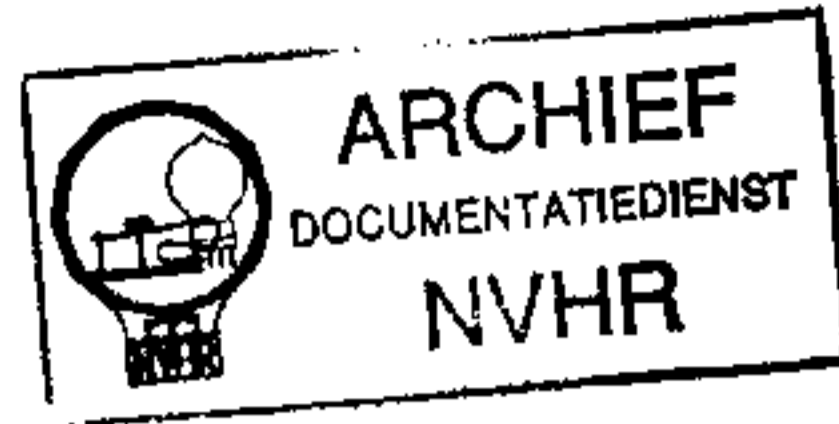
PHOTOFACT® Folder

with CIRCUITRACE®

MAGNAVOX
MODEL AM-60

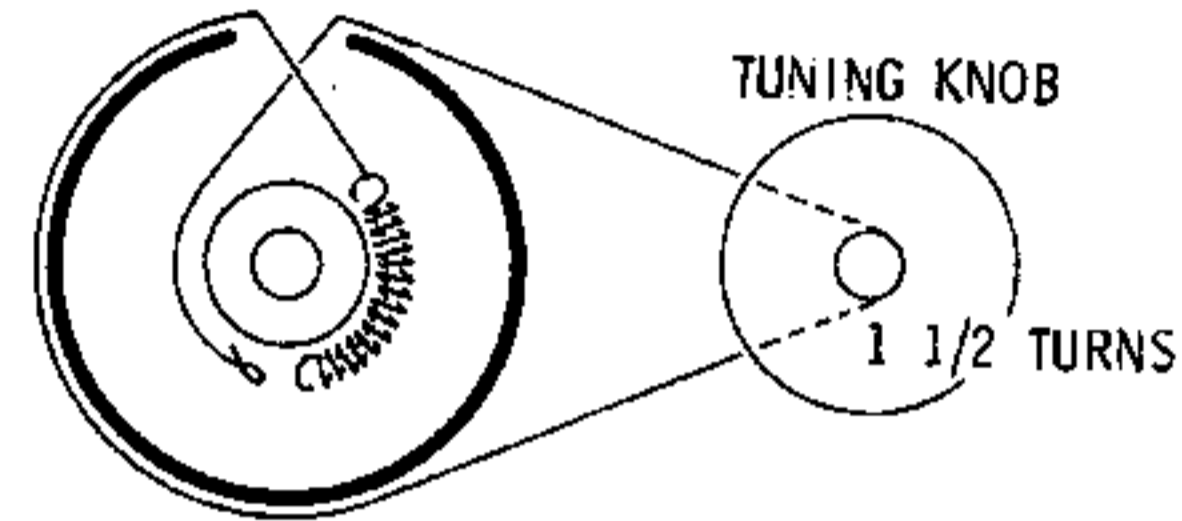
Met dank aan Jef Bos

Ned. Ver. v. Historie v/d Radio



DRIVE CORD STRINGING

TUNING DRUM FULLY CLOCKWISE



FRONT VIEW

TRADE NAME	Magnavox Model AM-60		
MANUFACTURER	The Magnavox Co., 2131 Bueter Road, Fort Wayne 4, Indiana		
TYPE SET	Battery Operated Transistorized Portable AM Receiver		
POWER SUPPLY	9 Volts DC	RATING	8MA @ 9 Volts DC (No Signal, Min. Volume)
TUNING RANGE—BROADCAST	535 — 1605KC		15MA @ 9 Volts DC (Signal, Normal Volume)

ALIGNMENT INSTRUCTIONS

ALIGNMENT INSTRUCTIONS—READ CAREFULLY BEFORE ATTEMPTING ALIGNMENT

Volume control should be at maximum position. Output of signal generator should be no higher than necessary to obtain an output reading.

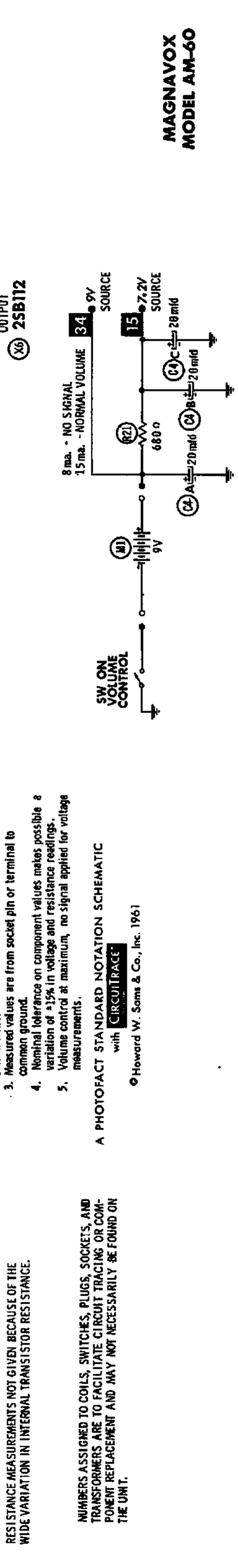
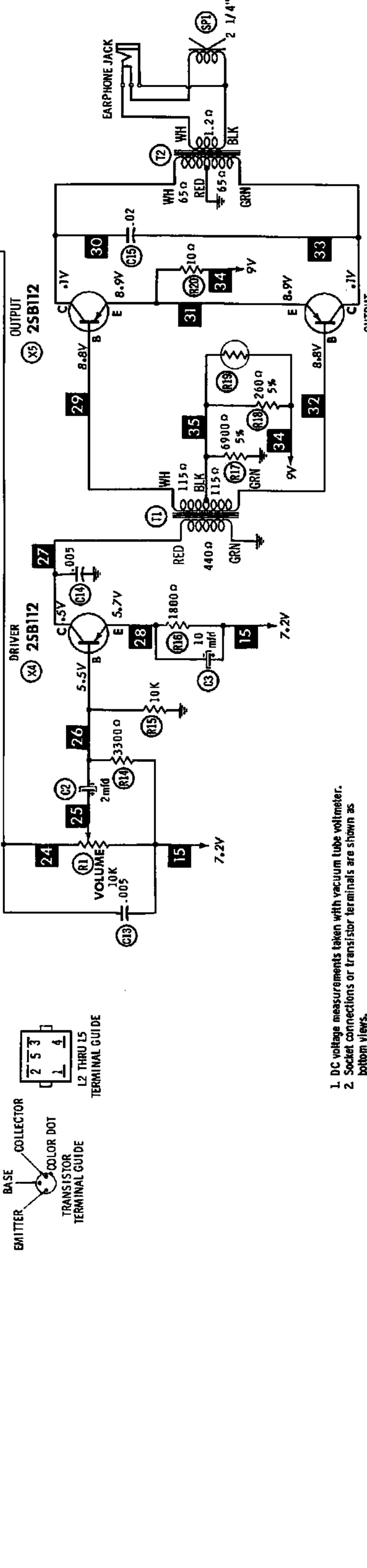
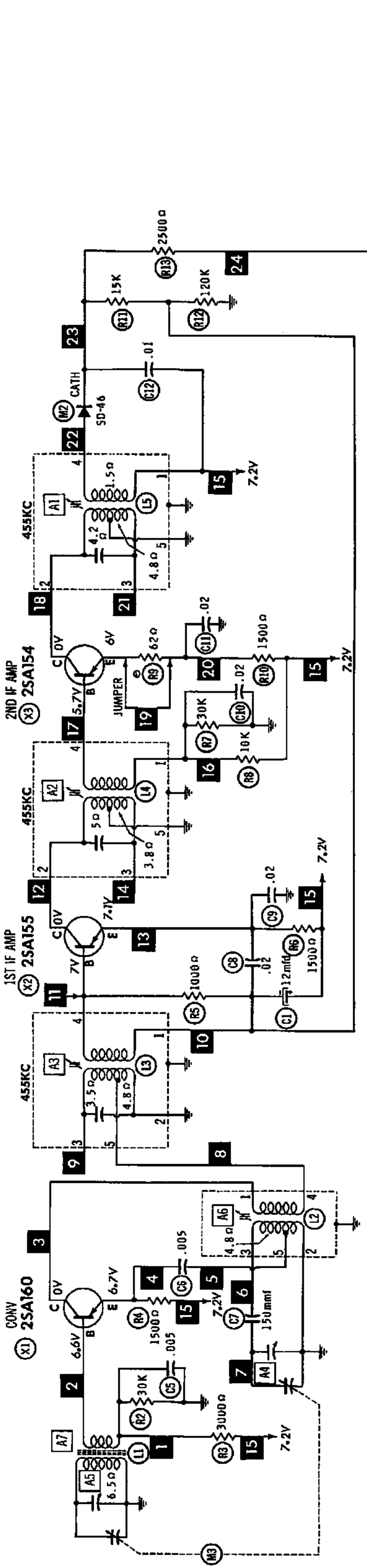
Suggested Alignment Tools: A1, A2, A3, A6..... GENERAL CEMENT #5009, 8195, 8274, 8275, 8728, 8729, 8987, 8988, 8989
 WALSCO #2515, 2531, 2532
 A4, A5..... GENERAL CEMENT #5000, 5003, 5066, 8276, 8290, 9087, 9089
 WALSCO #2512, 2525, 2528

	SIGNAL GENERATOR COUPLING	SIGNAL GENERATOR FREQUENCY	RADIO DIAL SETTING	OUTPUT METER	ADJUST	REMARKS
1.	Fashion loop of several turns of wire and radiate signal into loop of receiver. Adjust for maximum output.	455KC (400% Mod.)	Tuning gang fully open.	Across voice coil.	A1, A2, A3	Adjust for maximum output.
2.	"	1600KC	1600KC	"	A4, A5	"
3.	"	535KC	535KC	"	A6, A7	Adjust for maximum output. A7 is adjusted by moving coil along ferrite core. Repeat Steps 2 and 3.

HOWARD W. SAMS & CO., INC. Indianapolis 6, Indiana

The listing of any available replacement part herein does not constitute in any case a recommendation, warranty or guaranty by Howard W. Sams & Co., Inc., as to the quality and suitability of such replacement part. The numbers of these parts have been compiled from information furnished to Howard W. Sams & Co., Inc., by the manufacturers of KF767

the particular type of replacement part listed. Reproduction or use, without express permission, of editorial or pictorial content, in any manner, is prohibited. No patent liability is assumed with respect to the use of the information contained herein. © 1961 Howard W. Sams & Co., Inc., Indianapolis 6, Indiana. Printed in U.S. of America



1. DC voltage measurements taken with vacuum tube voltmeter.
2. Socket connections or transistor terminals are shown as bottom views.
3. Measured values are from socket pin or terminal to common ground.
4. Nominal tolerance on component values makes possible a variation of $\pm 15\%$ in voltage and resistance readings.
5. Volume control at maximum, no signal applied for voltage measurements.

A PHOTOFACT STANDARD NOTATION SCHEMATIC
with **CIRCUITRACE**

© Howard W. Sams & Co., Inc. 1961

RESISTANCE MEASUREMENTS NOT GIVEN BECAUSE OF THE WIDE VARIATION IN INTERNAL TRANSISTOR RESISTANCE.

NUMBERS ASSIGNED TO COILS, SWITCHES, PLUGS, SOCKETS, AND TRANSFORMERS ARE TO FACILITATE CIRCUIT TRACING OR COMPONENT REPLACEMENT AND MAY NOT NECESSARILY BE FOUND ON THE UNIT.

PARTS LIST AND DESCRIPTIONS

TRANSISTORS

ITEM No.	ORIG. TYPE	USE	REPLACEMENT DATA		NOTES
			RCA PART No.	RAYTHEON PART No.	
X1	2SA160	Converter			PNP
X2	2SA159*	Converter			PNP
	2SA155	1st IF Amplifier			PNP
	2SA154*	1st IF Amplifier			PNP
	2SA156*	1st IF Amplifier			PNP
X3	2SA154	2nd IF Amplifier			PNP
	2SA156*	2nd IF Amplifier			PNP
X4	2SB112	Driver			PNP
X5	2SB112	Output			PNP
X6	2SB112	Output			PNP

* Alternate

ELECTROLYTIC CAPACITORS

ITEM No.	RATING		REPLACEMENT DATA						
	CAP.	VOLT.	MAGNAVOX PART No.	AEROVOX PART No.	CORNELL-DUBILIER PART No.	GENERAL ELECTRIC PART No.	MALLORY PART No.	PYRAMID PART No.	SPRAGUE PART No.
C1	10	3	270049-1		NLW10-6	MT1-5	TT3X10	MLV10-3	TE-1053
C2	2	12	270051-1		NLW2-50	MT1-1	TT12X2	MLV2-12	TE-1121
C3	10	3	270049-1		NLW10-6	MT1-5	TT3X10	MLV10-3	TE-1053
C4A	20	10	270056-1						
B	20	10							
C	20	10							

FIXED CAPACITORS

ITEM No.	RATING	REMARKS	REPLACEMENT DATA					
			AEROVOX PART No.	CENTRALAB PART No.	CORNELL-DUBILIER PART No.	ELMENCO PART No.	MALLORY PART No.	SPRAGUE PART No.
C5	.005		C80V502AM	DM-502	H-05D5	CCD-502	TA-250	TG-D50
C6	.005		C80V502AM	DM-502	H-05D5	CCD-502	TA-250	TG-D50
C7	150		SI 150	D6-151	L10T15	CCD-151	GP315	10TS-T15
C8	.02		C80V203AM	DA-203	H-05S2		TA-120	TG-S20
C9	.02		C80V203AM	DA-203	H-05S2		TA-120	TG-S20
C10	.02		C80V203AM	DA-203	H-05S2		TA-120	TG-S20
C11	.02		C80V203AM	DA-203	H-05S2		TA-120	TG-S20
C12	.01		C80V103AM	DM-103	H-05S1		TA-110	TG-S10
C13	.005		C80V502AM	DM-502	H-05D5	CCD-502	TA-250	TG-D50
C14	.005		C80V502AM	DM-502	H-05D5	CCD-502	TA-250	TG-D50
C15	.02		C80V203AM	DA-203	H-05S2		TA-120	TG-S20

CONTROLS

ITEM No.	RATING		REPLACEMENT DATA					INSTALLATION NOTES
	RESISTANCE	WATTS	MAGNAVOX PART No.	CENTRALAB PART No.	CLAROSTAT PART No.	CTS-IRC PART No.	MALLORY PART No.	
R1	10K	1/4	220168-1					Volume & Switch

RESISTORS

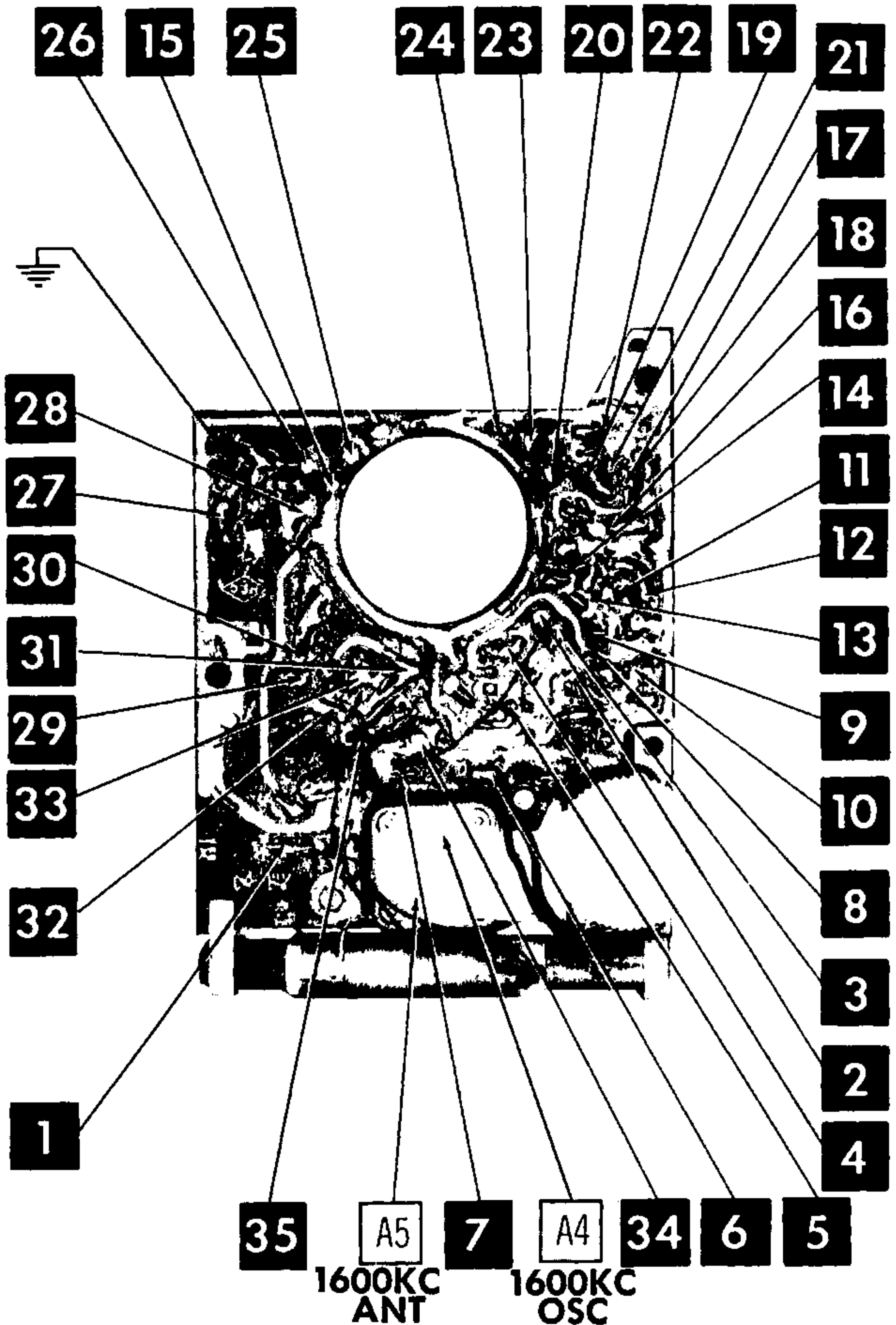
All wattages 1/2 watt, or less, unless otherwise listed.

ITEM No.	RATING	REPLACEMENT DATA			ITEM No.	RATING	REPLACEMENT DATA		
		IRC PART No.	WORKMAN TV PART No.	REMARKS			IRC PART No.	WORKMAN TV PART No.	REMARKS
R2	30K				R12	120K			
R3	3000Ω				R13	2500Ω			
R4	1500Ω				R14	3300Ω			
R5	1000Ω				R15	10K			
R6	1500Ω				R16	1800Ω			
R7	30K				R17	6900Ω 5%			
R8	10K				R18	260Ω 5%			
R9	62Ω			Note 1	R19	Temp. Comp.			Pt. #230132-1
R10	1500Ω				R20	10Ω			
R11	15K				R21	680Ω			

Note 1. Selected to match characteristics of transistor. Will vary from 0-120Ω.

PRINTED BOARD

A Howard W. Sams **CIRCUITRACE** Photo



PARTS LIST AND DESCRIPTIONS (Continued)

COILS (RF-IF)

ITEM No.	USE	REPLACEMENT DATA					NOTES
		MAGNA VOX PART No.	Merit PART No.	Miller PART No.	Stancor PART No.	Workman TV PART No.	
L1	Loopstick	360873-1					
L2	Osc.	360874-1					
L3	1st IF	360868-1					
L4	2nd IF	360869-1					
L5	3rd IF	360870-1					

TRANSFORMER (DRIVER)

ITEM No.	TURNS RATIO		REPLACEMENT DATA					NOTES
			MAGNA VOX PART No.	Merit PART No.	Stancor PART No.	Thordarson PART No.	Triad PART No.	
	PRI.	SEC.						
T1	1.5	1	320091-1					

TRANSFORMER (AUDIO OUTPUT)

ITEM No.	IMPEDANCE		REPLACEMENT DATA					NOTES
	PRI.	SEC.	MAGNA VOX PART No.	Merit PART No.	Stancor PART No.	Thordarson PART No.	Triad PART No.	
T2	1400Ω CT	6-8Ω	320092-1					

SPEAKER

ITEM No.	TYPE			REPLACEMENT DATA		NOTES
	SIZE	FIELD	V. C. IMP.	MAGNA VOX PART No.	QUAM PART No.	
SPI	2 1/4"	PM	6-8Ω	580064-1		

BATTERIES

ITEM No.	VOLTAGE	MAGNA VOX PART No.	REPLACEMENT DATA						NOTES
			BURGESS		EVEREADY		MALLORY		
			"A"	"B"	"A"	"B"	"A"	"B"	
M1	9V	530064-1		2U6		216		M-1604	

SIGNAL DIODES

ITEM No.	ORIG. TYPE	REPLACEMENT DATA			NOTES
		MAGNA VOX PART No.	GENERAL ELECTRIC PART No.	RAYTHEON PART No.	
M2	SD46	530063-1		1N60	Detector

MISCELLANEOUS

ITEM No.	PART NAME	MAGNA VOX PART No.	NOTES
M3	Tuning Gang	260160-1	2 Gang

CABINETS & CABINET PARTS

(When Ordering Cabinets & Cabinet Parts, Specify Model, Chassis & Color)

NAME	PART NO.	DESCRIPTION
Dial Indicator	140482-1	
Knob	140479-1	Tuning, Ivory
Knob	140479-2	Tuning, Red
Knob	140480-1	Volume, Ivory
Knob	140480-2	Volume, Red
Cabinet	140477-1	Front, Ivory
Cabinet	140477-2	Front, Red
Cabinet	140478-1	Back, Ivory
Cabinet	140478-2	Back, Red
Case	400314-1	Radio
Case	400315-1	Earphone
Strap	400317-1	Carrying

WIRING DATA

General-use Unshielded Hook-up Wire Use BELDEN No. 8530 (Solid) Available in Ten Colors
8524 (Stranded) Available in Ten Colors

CHASSIS—TOP VIEW

