

EL 84  
B250C75N

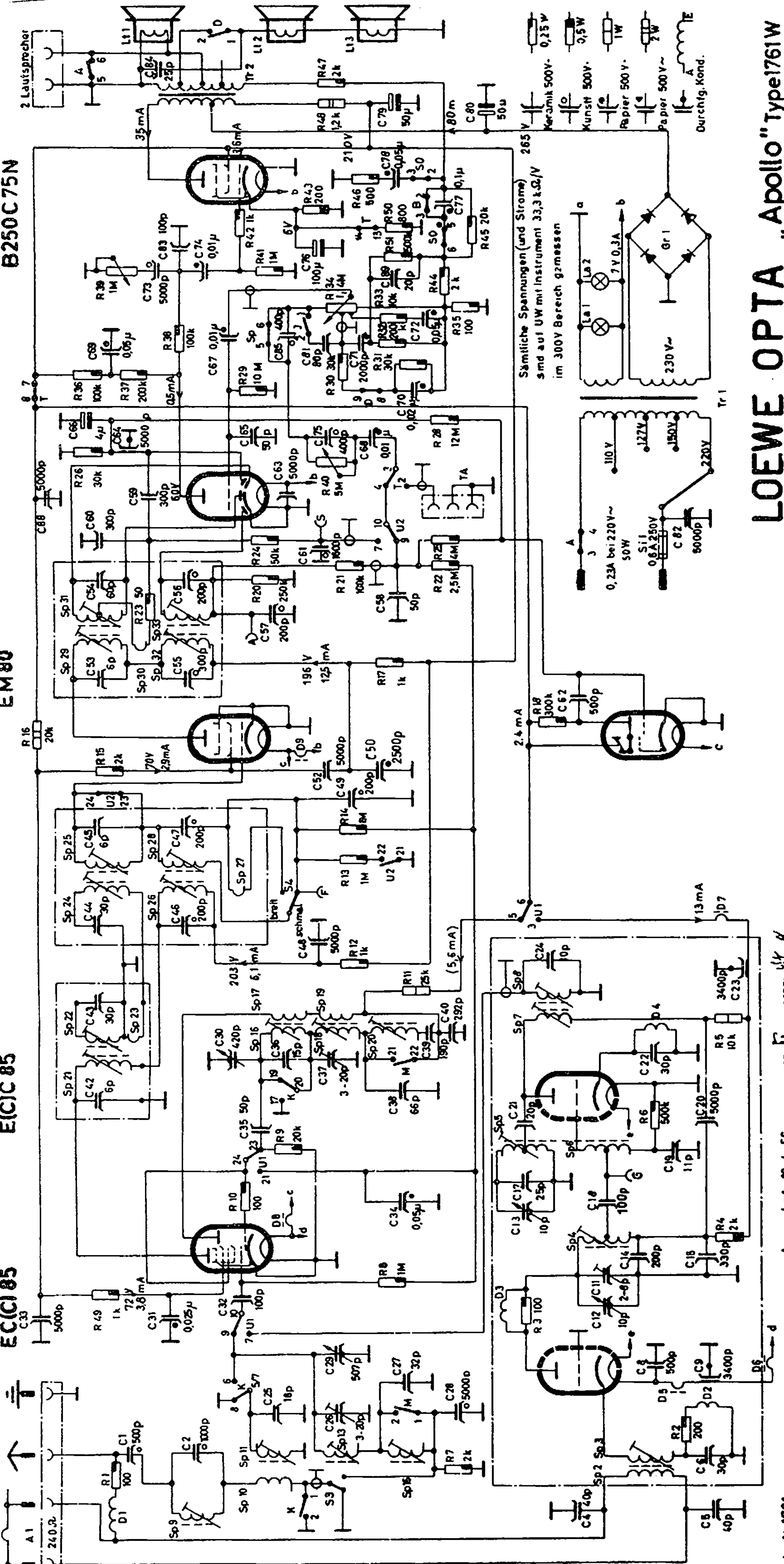
EABC80

EF 85  
EM 80

EICIC 85

ECH81

ECIC 85



# LOEWE OPTA "Apollo" Type 1761W

Schalt 1761

Ausgabe 1 13 4. 56    gez. W.    gepr. K. K.

C	45	1,2, 6	25	26, 28, 27	6, 9, 28, 33	31, 32, 22, 11, 14, 15	34, 13, 18, 17	18	35	21, 20, 42, 38, 30, 36, 37, 22, 39, 40, 43, 23, 24, 46	44, 46	45, 47, 48	52, 50	62	53	55	57, 58	54, 56, 61, 60, 62, 68, 59	63	64	65, 75, 69, 66, 70	69, 81, 71, 67, 65	68, 73, 74, 83, 76, 77, 78	79, 80	84
R	17	2	3	49	8	4	10	9	6	5	11	12	13	14	17	23	20, 21, 22, 24	25	40, 26	28	29, 36, 37	30, 31, 38, 32, 34, 35, 44, 39, 41, 51, 42, 50, 45, 43, 46, 48	79, 80	84	

A	T	U2	K	M	U1	24	22	20	18	16	14	12	10	8	6	4	2
23	21	19	17	15	13	11	9	7	5	3	1						

AUS	TA	LW	KW	MW	UW
-----	----	----	----	----	----

von unten gesehen

9	8	7	6	5	4	3	2	1
9	8	7	6	5	4	3	2	1

AUS	TA	LW	KW	MW	UW
-----	----	----	----	----	----

Chassis von oben gesehen

SP	21	28	26	24	22	20	18	16	14	12	10	8	6	4	2
----	----	----	----	----	----	----	----	----	----	----	----	---	---	---	---

Chassis von unten gesehen

SP	21	28	26	24	22	20	18	16	14	12	10	8	6	4	2
----	----	----	----	----	----	----	----	----	----	----	----	---	---	---	---

SP	21	28	26	24	22	20	18	16	14	12	10	8	6	4	2
----	----	----	----	----	----	----	----	----	----	----	----	---	---	---	---

30 BASS JAZZ SOLO SP