

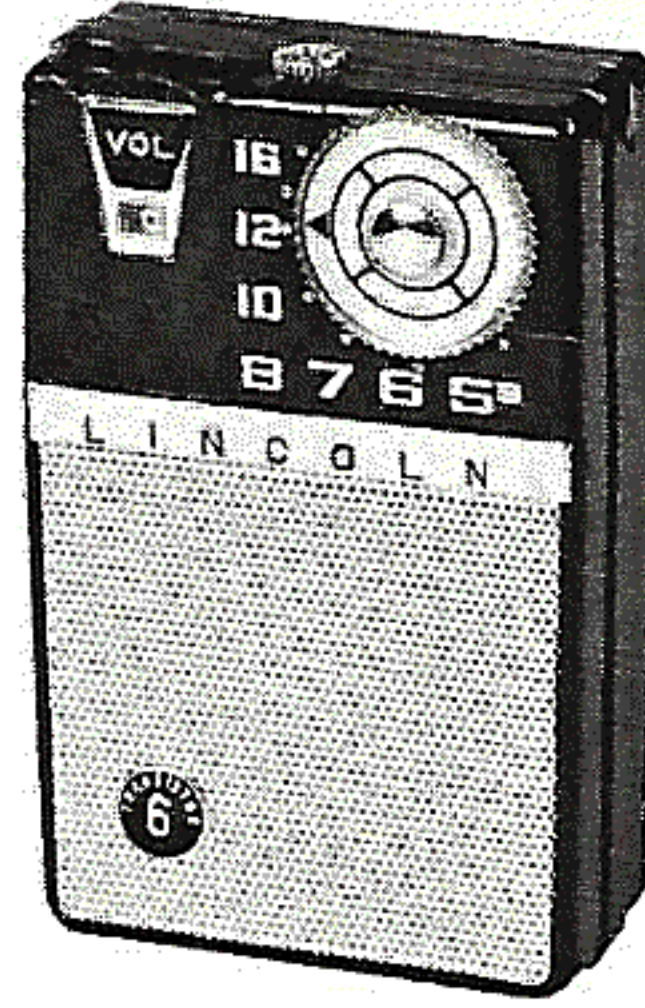


PHOTOFACT[®] with

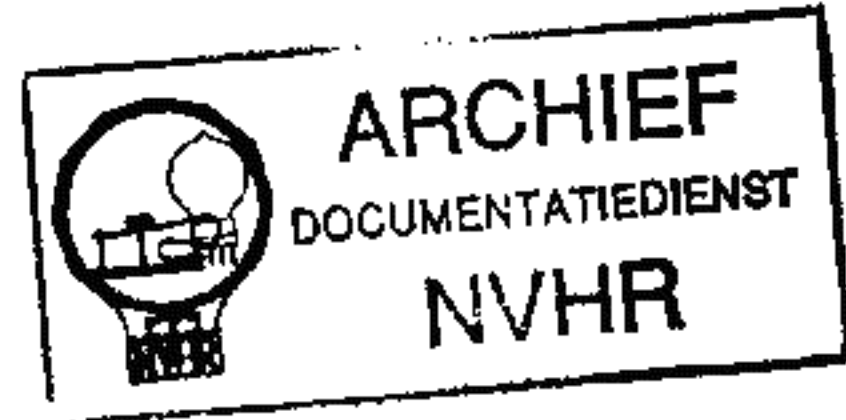
CIRCUITRACE[®]

Met dank aan Jef Bos

TRADE NAME: Lincoln Model L640 (23SC204)
 SUPPLIER: Allied Radio Corp.,
 100 N. Western Ave., Chicago 80, Illinois
 TYPE SET: 6 Transistor AM Receiver
 POWER SUPPLY: 9 Volts DC
 RATING: 8MA @ 9 VDC (No Signal, Min. Volume)
 15MA @ 9 VDC (Signal, Normal Volume)
 TUNING RANGE: BROADCAST 540 - 1620KC



Ned. Ver. v. Historie v/d Radio

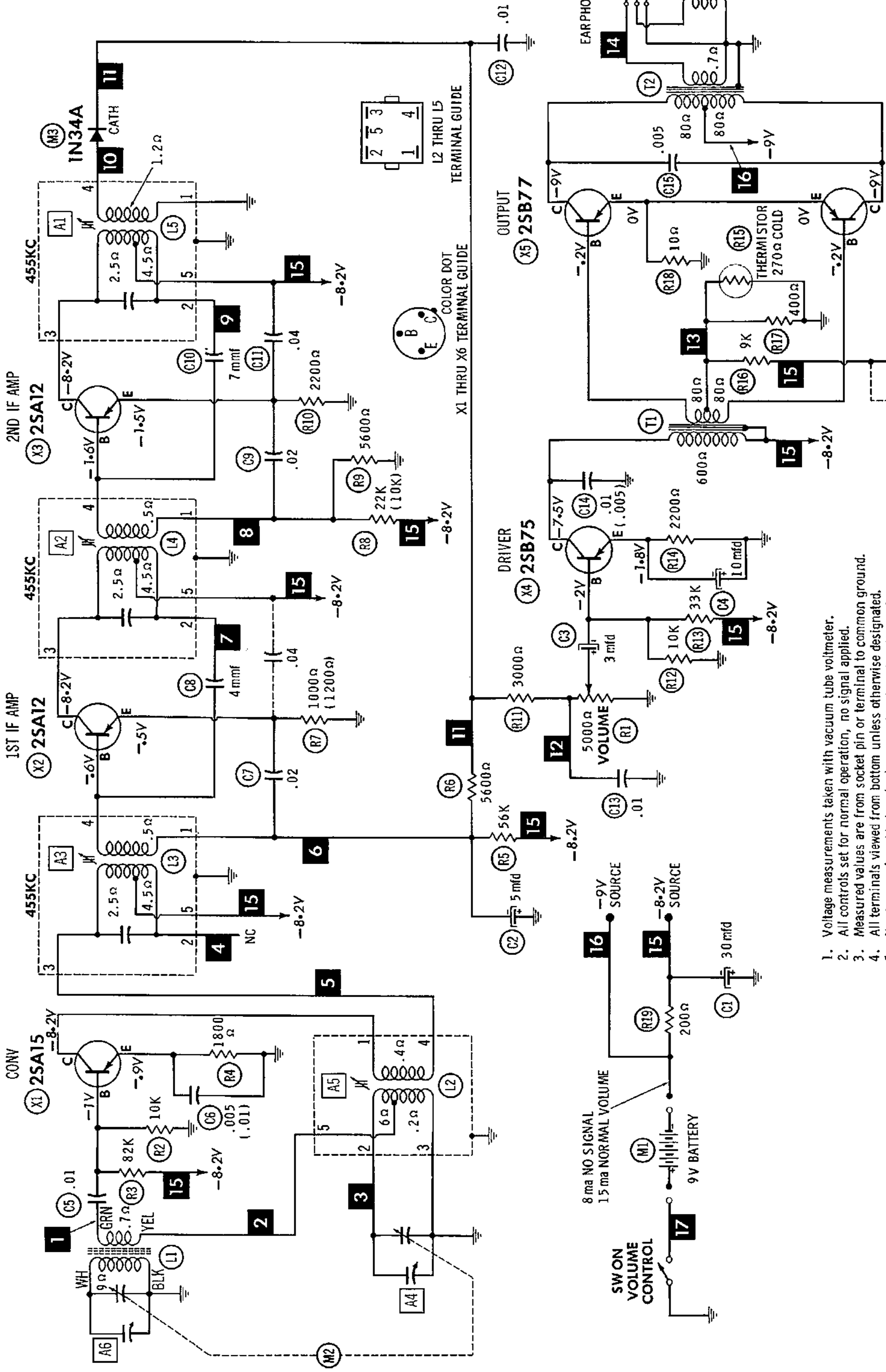


ALIGNMENT INSTRUCTIONS

Check for specified source voltage.
 Fashion loop of several turns of wire and connect generator across loop.
 Adjust output of generator to radiate only enough signal into receiver to obtain a suitable indication.
 Suggested Alignment Tools:
 A1, A2, A3, A5.....GENERAL CEMENT #5067, 8282, 8606
 WALSCO #2526, 2543
 A4, A6.....GENERAL CEMENT #5000, 5066, 8290
 WALSCO #2525

	SIGNAL GENERATOR FREQUENCY	RADIO DIAL SETTING	INDICATOR	ADJUST	REMARKS
1.	455KC (400% Mod.)	Tuning gang fully open.	Output Meter across voice coil.	A1, A2, A3	Adjust for maximum. Repeat as required.
2.	1620KC	"	"	A4	Adjust for maximum.
3.	600KC	Tune to Signal.	"	A5	Rock tuning gang and adjust for maximum. Repeat steps 2 and 3.
4.	1400KC	"	"	A6	Adjust for maximum.

HOWARD W. SAMS & CO., INC. Indianapolis 6, Indiana



1. Voltage measurements taken with vacuum tube voltmeter.
2. All controls set for normal operation, no signal applied.
3. Measured values are from socket pin or terminal to common ground.
4. All terminals viewed from bottom unless otherwise designated.
5. Numbers assigned to terminals may not be found on the unit.
6. Supply voltage maintained at rated value for voltage readings.
7. Resistance measurements not given because of the wide variation in internal resistance of transistor.

TRANSISTORS

ITEM No.	ORIG. TYPE	USE	REPLACEMENT DATA			NOTES
			DELCO PART No.	GENERAL ELECTRIC PART No.	RCA PART No.	
X1	2SA15	Converter	DS-25		2N412	PNP
X2	2SA12	1st IF Amplifier	DS-25		2N410	PNP
X3	2SA12	2nd IF Amplifier	DS-25		2N410	PNP
X4	2SB75	Driver			2N408	PNP
X5	2SB77	Output			2N408	PNP
X6	2SB77	Output			2N408	PNP

ELECTROLYTIC CAPACITORS

ITEM No.	RATING		REPLACEMENT DATA						
	CAP.	VOLT.	LINCOLN PART No.	AEROVOX PART No.	CORNELL-DUBILIER PART No.	GENERAL ELECTRIC PART No.	MALLORY PART No.	PYRAMID PART No.	SPRAGUE PART No.
C1	30	10		CRE412					TE-1131
C2	5	10		CRE404	NLW5-15				TE-1127
C3	3	12		CRE402	NLW3-15				TE-1122
C4	10	6		CRE306	NLW10-6				

FIXED CAPACITORS

ITEM No.	RATING	REMARKS	REPLACEMENT DATA					
			AEROVOX PART No.	CENTRALAB PART No.	CORNELL-DUBILIER PART No.	ELMENCO PART No.	MALLORY PART No.	SPRAGUE PART No.
C5	.01	(.01) †	TTD-01	CK-103	H05S1		TA-110	TG-S10
C6	.005		TTD-005	CK-502	H05D5		TA-250	TG-D50
C7	.02		TTD-02	CK-203	H05S2		TA-120	TG-S20
C8	4		NPO-DI 4.7	DTZ-4R7	C10V47C	CC TO-4R7	CNO-547	10TCC-V47
C9	.02		TTD-02	CK-203	H05S2		TA-120	TG-S20
C10	7	NPO-DI 6.8	DTZ-6R8	C10V68C	CC TO-6R8	CNO-568	10TCC-V68	
C11	.04		TTD-05	CK-503	H05S5		TA-150	TG-S50
C12	.01		TTD-01	CK-103	H05S1		TA-110	TG-S10
C13	.01		TTD-01	CK-103	H05S1		TA-110	TG-S10
C14	.01	(.005) †	TTD-01	CK-103	H05S1		TA-110	TG-S10
C15	.005		TTD-005	CK-502	H05D5		TA-250	TG-D50

† Alternate Value.

CONTROLS

All wattages 1/2 watt, or less, unless otherwise listed.

ITEM No.	USE	RESISTANCE	REPLACEMENT DATA				
			LINCOLN PART No.	CENTRALAB PART No.	CLAROSTAT PART No.	CTS-IRC PART No.	MALLORY PART No.
R1	Volume & Switch	5000Ω					

COILS (RF-IF)

ITEM No.	USE	REPLACEMENT DATA					NOTES
		LINCOLN PART No.	MERIT PART No.	MILLER PART No.	STANCOR PART No.	WORKMAN PART No.	
L1	Loopstick						
L2	Osc.		BC-572	2060	RTC-9261		
L3	1st IF		BC-569	2061	RTC-9262		
L4	2nd IF		BC-570	2062	RTC-9263		
L5	3rd IF		BC-571	2063	RTC-9264		

DESCRIPTION

TRANSFORMER (DRIVER)

ITEM No.	TURNS RATIO		REPLACEMENT DATA					NOTES
			LINCOLN PART No.	MERIT PART No.	STANCOR PART No.	THORDARSON PART No.	TRIAD PART No.	
	PRI.	SEC.						
T1	2	1						

TRANSFORMER (AUDIO OUTPUT)

ITEM No.	IMPEDANCE		REPLACEMENT DATA					NOTES
			LINCOLN PART No.	MERIT PART No.	STANCOR PART No.	THORDARSON PART No.	TRIAD PART No.	
	PRI.	SEC.						
T2	800Ω CT	6-8Ω						

SPEAKER

ITEM No.	TYPE	REPLACEMENT DATA		NOTES
		LINCOLN PART No.	QUAM PART No.	
SPI	2" PM 6-8Ω			

BATTERIES

ITEM No.	VOLTAGE	LINCOLN PART No.	REPLACEMENT DATA			NOTES
			BURGESS	EVEREADY	MALLORY	
M1	9V	BL-006P	2U6 (or H146)	216	M-1804 (or TR-146)	

MISCELLANEOUS

ITEM No.	PART NAME	LINCOLN PART No.	NOTES
M2 M3	Tuning Cap. Detector (1N34A)	MVC-2C	2 Gang

WIRING DATA

General-use Unshielded Hook-up Wire	Use BELDEN No. 8530 (Solid 22AWG)	Available
	8524 (Stranded 22AWG)	in
	8570 (Stranded 26AWG)	12 Colors

