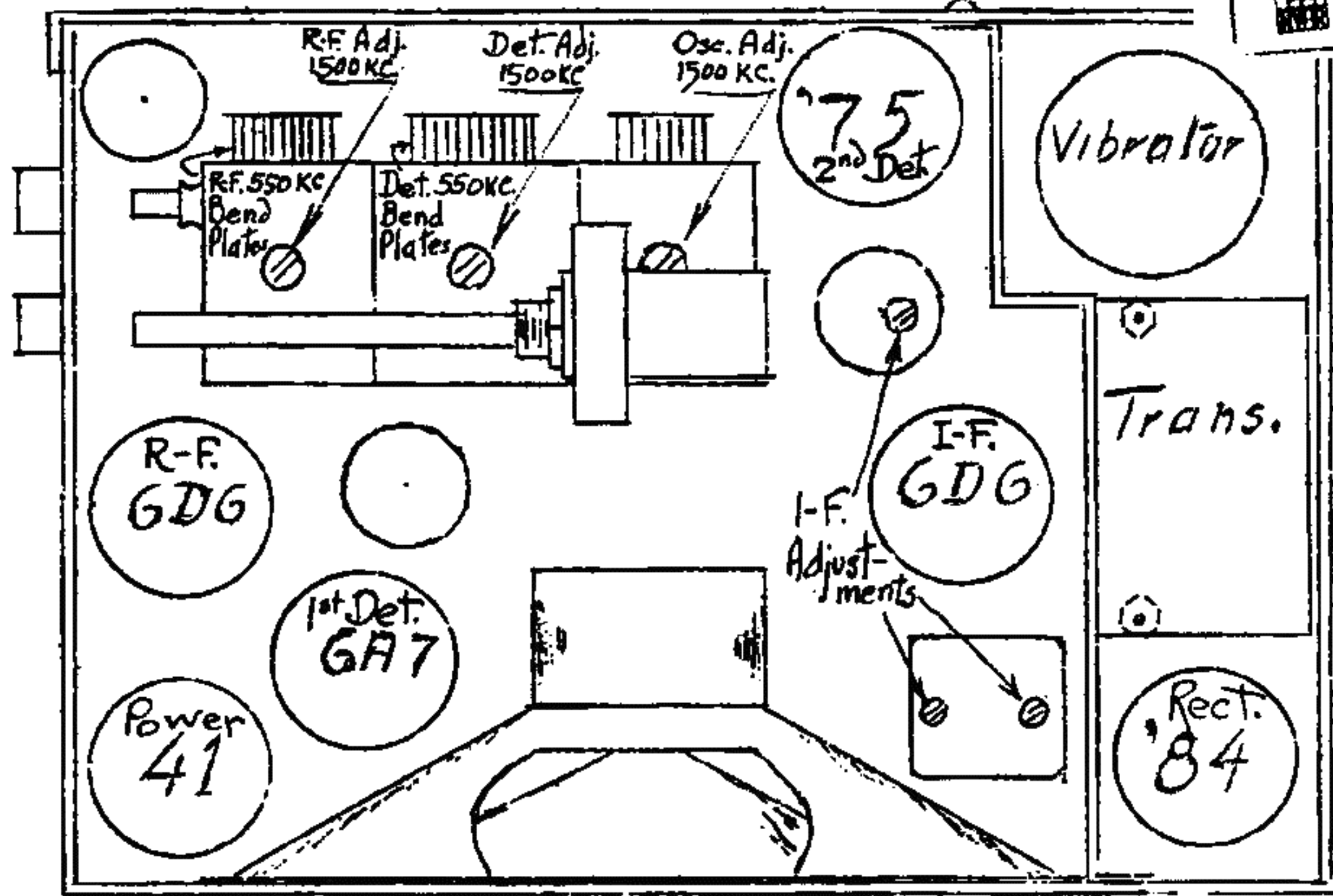


MODEL LW-10
Socket, Parts
Alignment

LAFAYETTE RADIO & TELEVISION CORP.

ARCHIE
DOCUMENTATED
NVHR



I-F. Alignment

Connect test oscillator, set at 175 KC. to Grid of 6A7 and Gnd. Ground stator of oscillator condenser during the adjustment.

R-F. Alignment

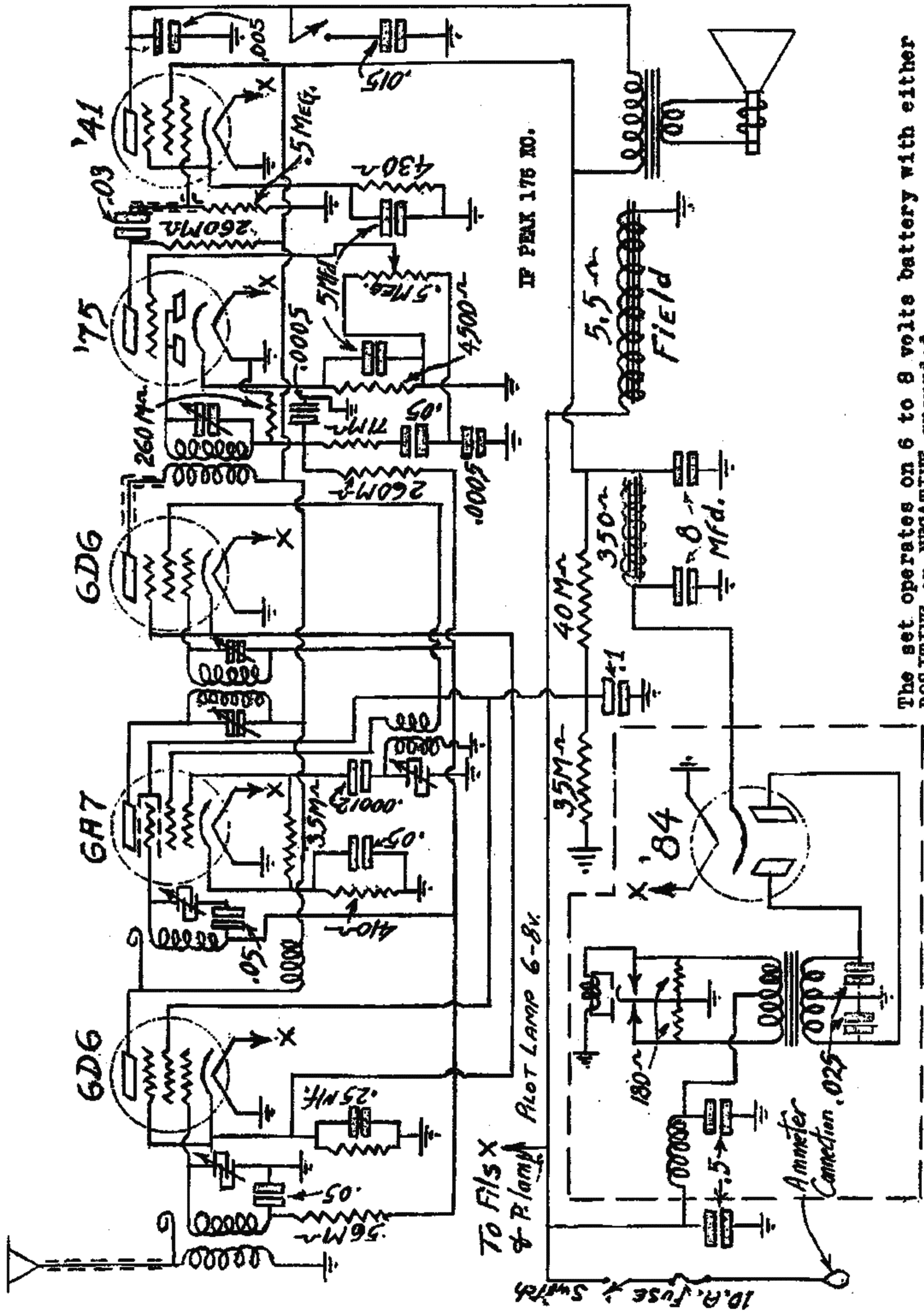
Connect test oscillator to antenna and ground. Adjust as shown above.

1233	Filter Choke.	
1234	Dual IF Transformer.	
1235	Single I.F. Transformer	
1236	Antenna Transformer	
1237	Oscillator Coll.	
1238	R.F. Transformer	
2206	Variable Condenser	
2213	.00012 Mica Condenser	
2051	.0005 Mica Condenser	
2215	.005 Tubular Condenser	
2084	.015 Tubular Condenser	
2190	.02 Tubular Condenser	
2046	.05 Tubular Condenser	
2022	.1 Tubular Condenser	
2033	.25 Tubular Condenser	
2209	.5 Tubular Condenser	
2211	5 Mfd -25 Volt Electrolytic Condenser	
2212	5 Mfd. Electrolytic Strap	
2210	Dual 8 Mfd. Electrolytic Filter Cond	
2152	Generator Condenser .	
2214	Ammeter Condenser . .	
3276	Distributor Suppressor	
3277	Spark Plug Suppressor	
5077	Antenna Cable	
5081	Pilot Light Cable less socket	
7128	Speaker	
8401	Volume Control & Switch	
8399	Fuse Retainer	
8403	Pilot Light Socket only	
8407	Pilot Light Bulb	
8405	Knob, Tone Control	
8404	Switch, Tone Control	
9392	Mounting Stud	
	Wing Nuts	

MODEL 640 ELIMINATOR

1239	Power Transformer	
2207	.5 120 Volt Metal Clad Cond. with Stud	
2208	.025 1000 Volt Metal Clad Cond.	
1163-C	R.F. Choke (A circuit)	

LAFAYETTE RADIO & TELEVISION CORP.



The set operates on 6 to 8 volts battery with either POSITIVE or NEGATIVE grounded.