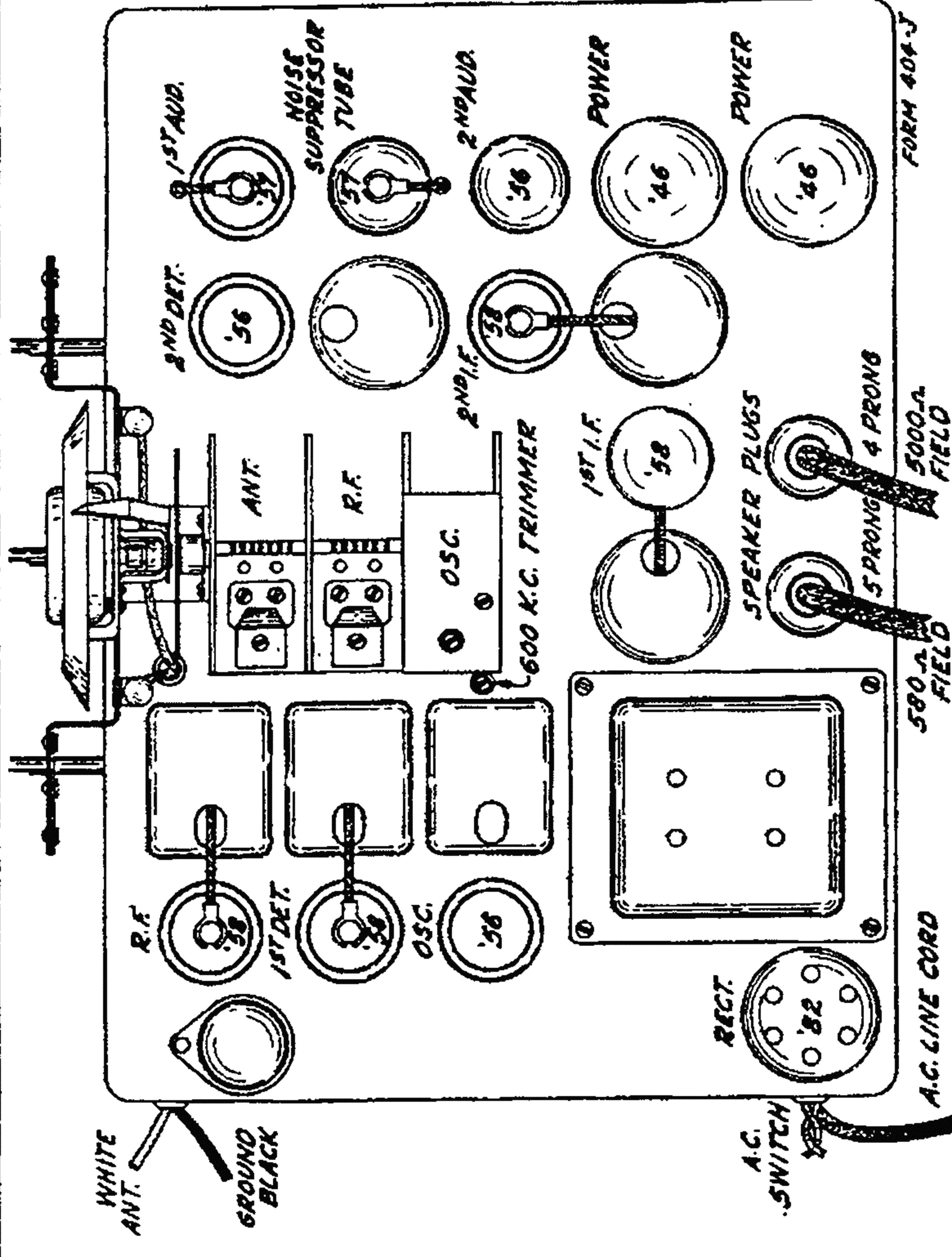
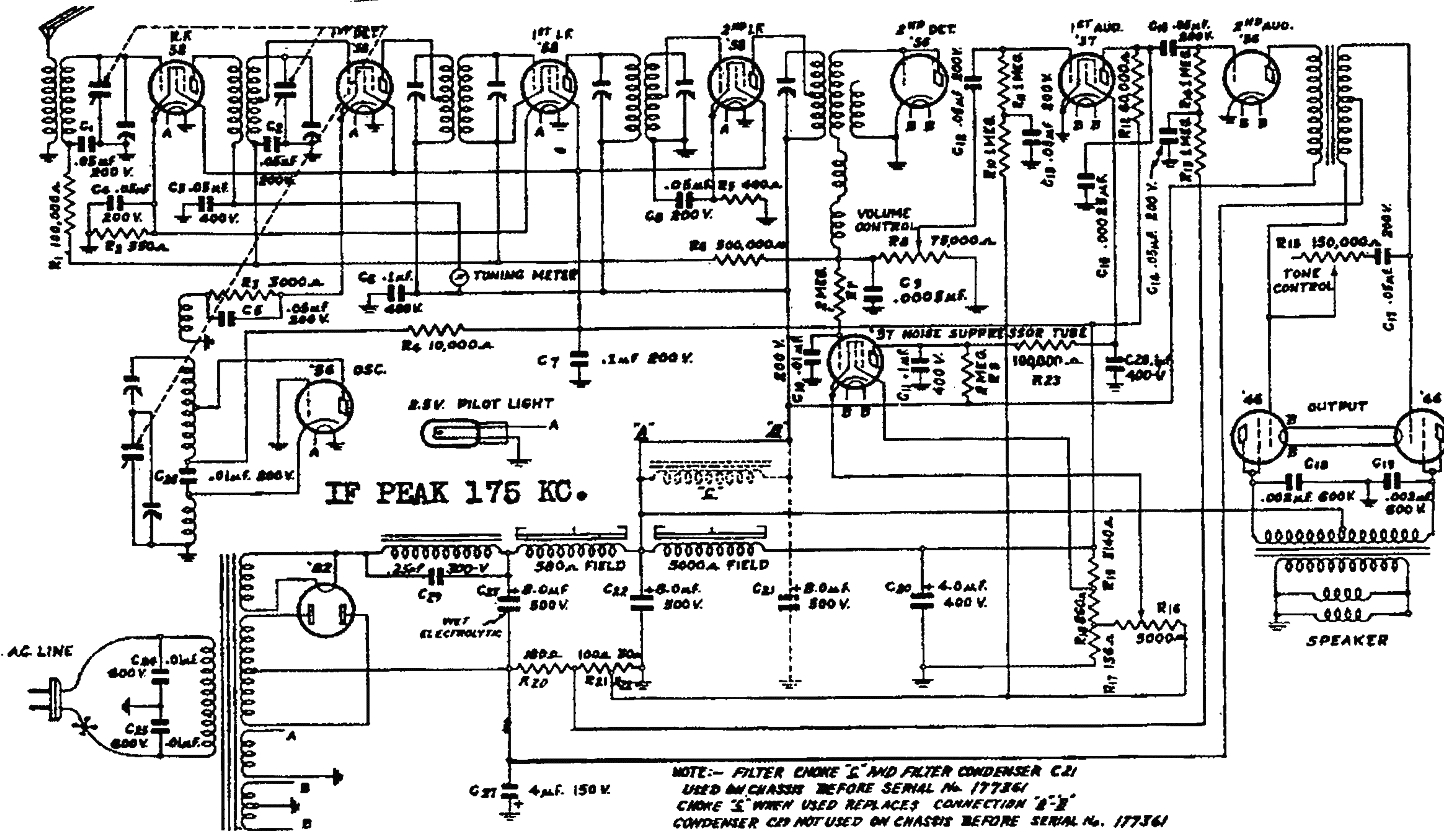


Ned. Ver. v. Historie v/d Radio



Schematic Voltage



Voltages at Sockets

LINE VOLTAGE 115—ANTENNA SHORTED TO GROUND—NOISE SUPPRESSOR AT MAXIMUM CLOCKWISE POSITION

Type of Tube	Function	Across Filament or Heater	Plate to Cathode	Screen to Cathode	Grid to Cathode	Normal Plate M. A.
58	R.F.	2.4	242	90	4(1)	4
58	1st Det.	2.4	250	86	7(1)	2
56	Osc.	2.4	24		0	8
58	1st I.F. (2)	2.4	252	90	4(1)	4
58	2nd I.F. (2)	2.4	254	91	3	5.7
56	2nd Det.	2.4	0		0	0
57	1st Audio	2.4	65	55	4(3)	.4
57	NoiseSup.	2.4	55	20	3(1)	0
56	2nd Audio	2.4	255		14(4)	3.3
46	Power	2.4	260	260	34	23
82	Rectifier	2.4	880 volts plate to plate			53 per plate

- (1) Read from cathode to ground.
- (2) If I.F. readings are made with a cord and plug, ground the control grid through a condenser to prevent oscillation and motor boating.
- (3) Read across 30 ohm section of voltage divider.
- (4) Read across 30-ohm and 100 ohm section of voltage divider.