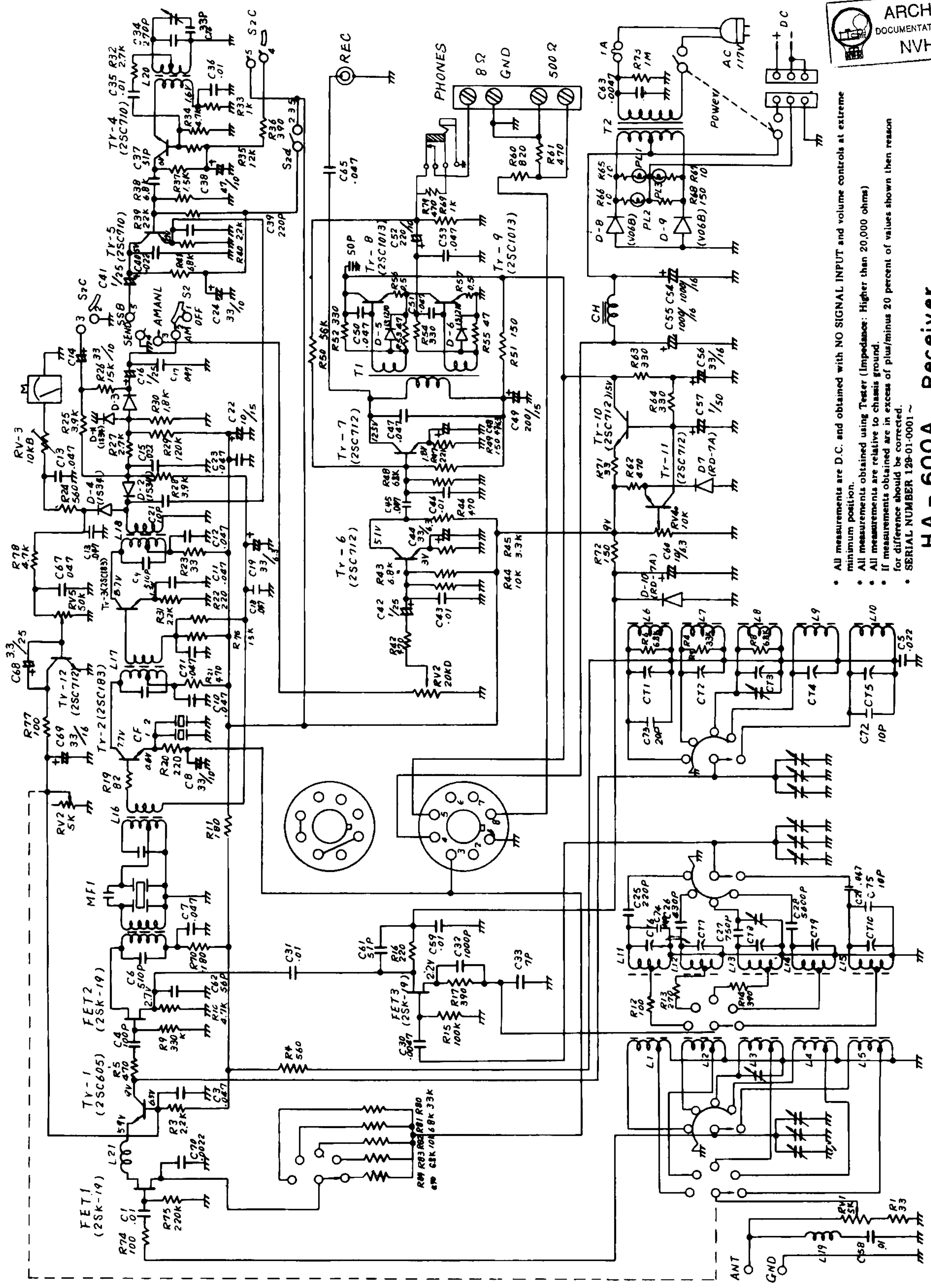


# HA - 600A

## TECHINICAL SPECIFICATIONS

FREQUENCY RANGE	150 KHz to 30 MHz in five bands.		
	0.15 - 0.40 MHz		
	0.55 - 1.6 MHz		
	1.6 - 4.8 MHz		
	4.8 - 14.5 MHz		
	10.5 - 30.0 MHz		
SENSITIVITY	1 $\mu$ V at 10 db S/N ratio.		
SELECTIVITY	$\pm$ 6 KHz at 60 db down; $\pm$ 2 KHz at 6 db down.		
INTERMEDIATE FREQUENCY	455 KHz.		
BFO FREQUENCY	455 KHz $\pm$ 2.5 KHz.		
ANTENNA INPUT IMPEDANCE	50 - 400 ohms.		
AUDIO OUTPUT IMPEDANCE	4, 8 and 500 ohms.		
AUDIO POWER OUTPUT	3 watts at 4 ohms.		
TRANSISTOR COMPLEMENT	TR-1	2SC605	RF Amplifier
	FET-1	2SK19[GR]	Mixer
	FET-2	2SK19[GR]	Local Oscillator
	FET-3	2SK19[GR]	RF Amplifier
	TR-2	2SC183[R]	1st IF Amplifier
	TR-3	2SC183[R]	2nd IF Amplifier
	TR-4	2SC710	Beat Frequency Oscillator
	TR-5	2SC710	Product Detector
	TR-6	2SC712	1st Audio
	TR-7	2SC712	Audio Driver
	TR-8,9	2SC1013	Push-Pull Audio Output
	TR-10	2SC712	Voltage Regulator
	TR-11	2SC712	Voltage Regulator
	TR-12	2SC712	AGC Amplifier
DIODES	D-2	1S34	AM Detector
	D-3	1S34	Automatic Noise Limiter
	D-4	1S34	S-Meter Rectifier
	D-5	1S1210	Temperature Compensation
	D-6	1S1210	Temperature Compensation
	D-7	RD-7A	Voltage Regulator
	D-8,9	V06B	Full-Wave Rectifiers
	D-10	RD-7A	Voltage Regulator [Zener]
POWER REQUIREMENTS	105 - 120 volts, 50/60 Hz AC		
DIMENSIONS	15" W. x 9 $\frac{3}{4}$ " D. x 8 $\frac{1}{4}$ " H.		
NET WEIGHT	17 lbs.		





- All measurements are D.C. and obtained with NO SIGNAL INPUT and volume controls at extreme minimum position.
- All measurements obtained using Tester (Impedance: Higher than 20,000 ohms)
- All measurements are relative to chassis ground.
- If measurements obtained are in excess of plus/minus 20 percent of values shown then reason for difference should be corrected.
- SERIAL NUMBER 129-01-0001 ~

# HA - 600A Receiver