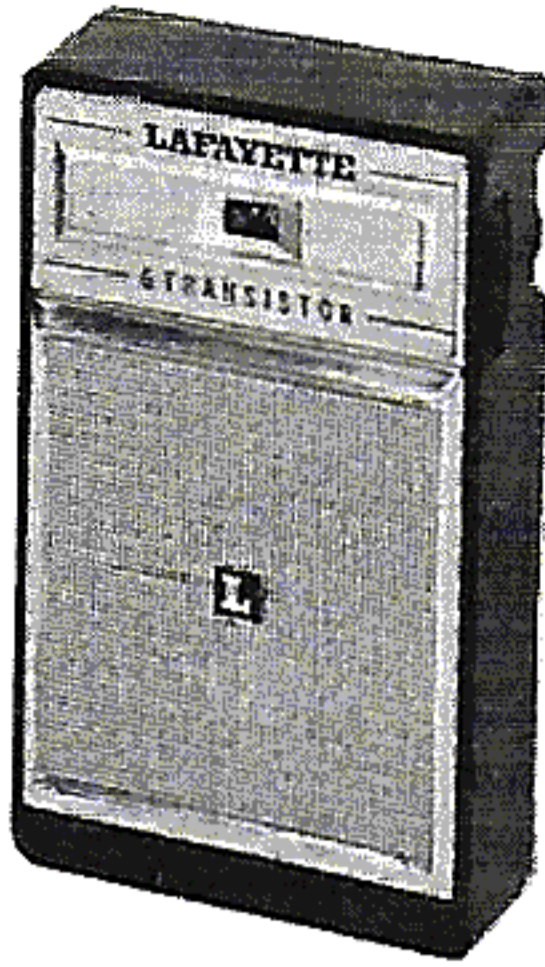




# PHOTOFACT<sup>®</sup> with

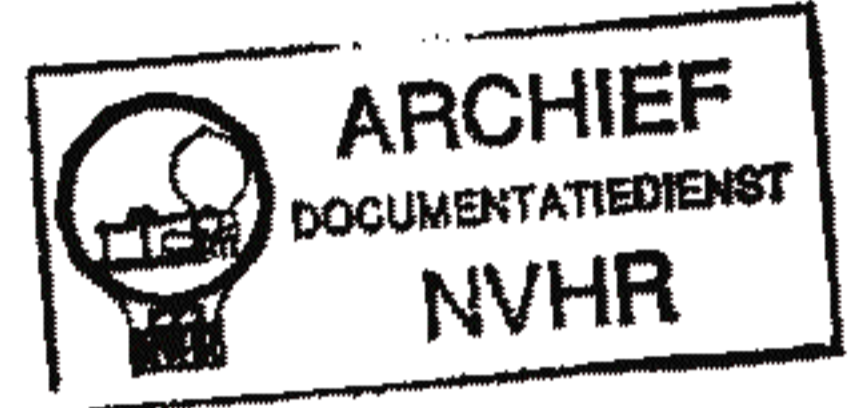
# CIRCUITRACE<sup>®</sup>

Met dank aan Jef Bos



TRADE NAME : Lafayette Model FS-248  
 SUPPLIER : Lafayette Radio Electronics Corp.  
 111 Jericho Turnpike, Syosset, L. I., N. Y.  
 TYPE SET : 6 Transistor AM Receiver  
 POWER SUPPLY : 9 Volts DC  
 RATING : 10MA @ 9VDC (No Signal, Min. Volume)  
 20MA @ 9VDC (Signal, Normal Volume)  
 TUNING RANGE : BROADCAST 540 - 1620KC

Ned. Ver. v. Historie v/d



## ALIGNMENT INSTRUCTIONS

Check for specified source voltage.

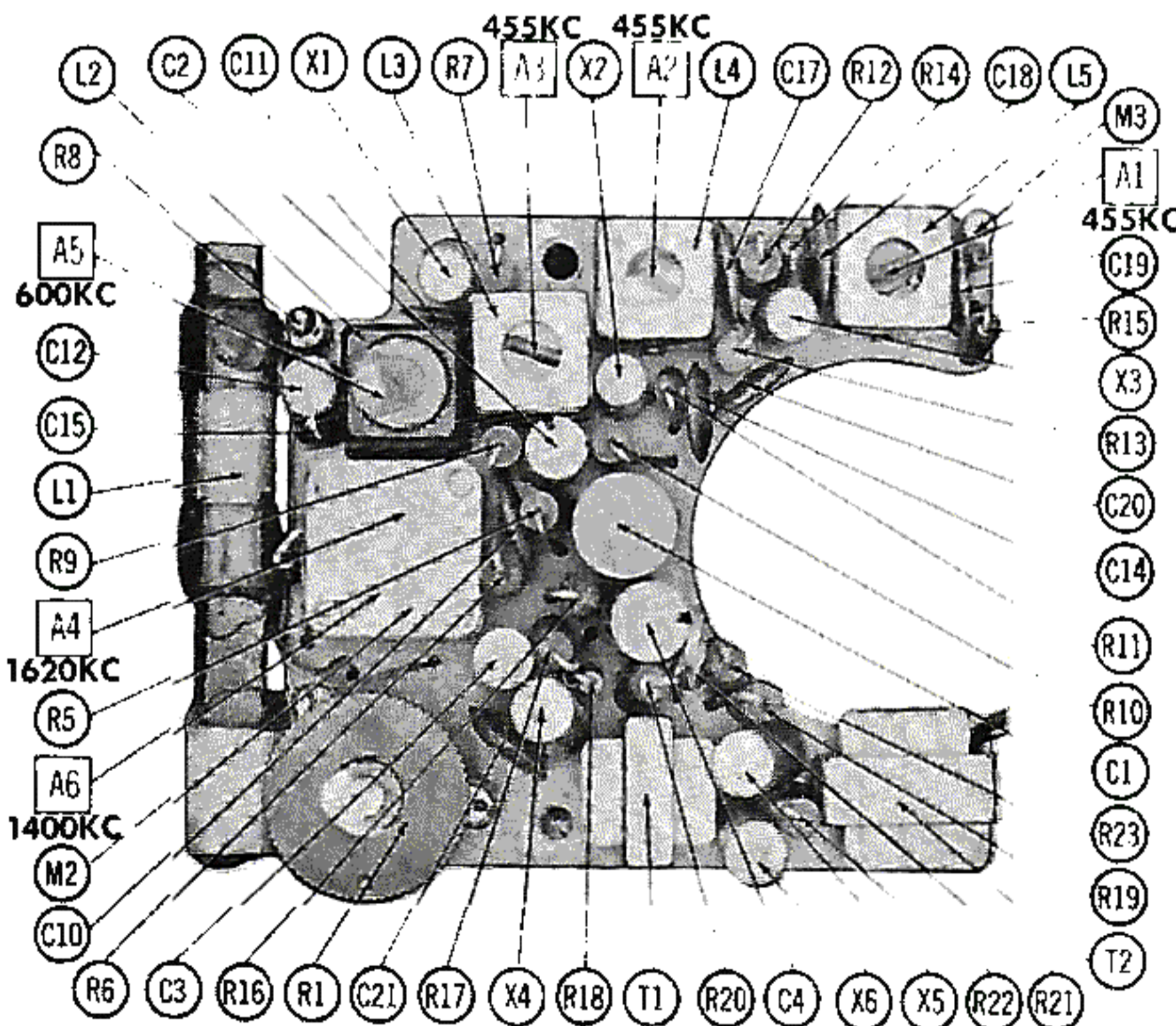
Fashion loop of several turns of wire and connect generator across loop.

Adjust output of generator to radiate only enough signal into receiver to obtain a suitable indication.

Suggested Alignment Tools:

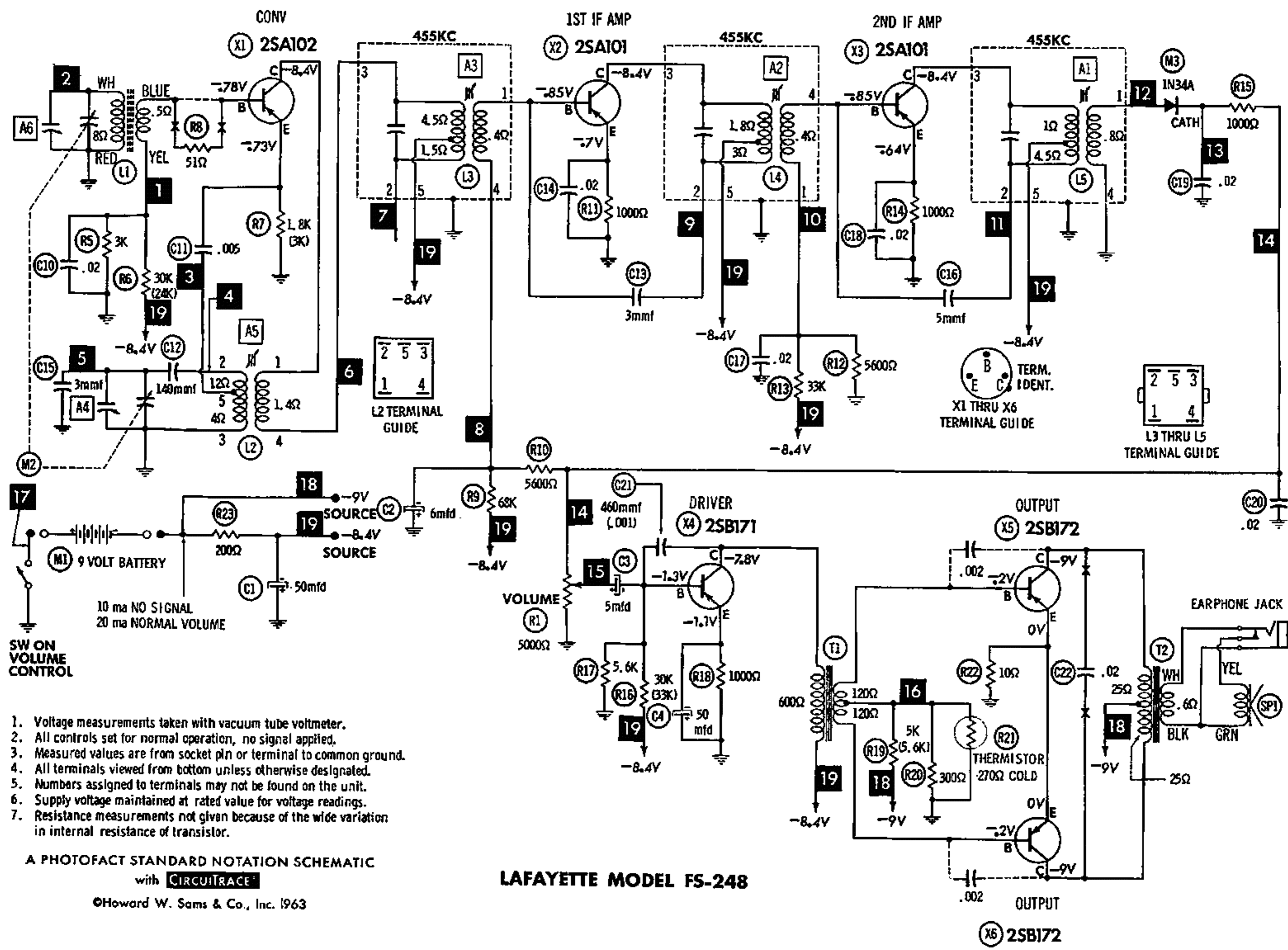
- A1, A2, A3, A4, A6.....GENERAL CEMENT #5000, 5066, 8290  
 WALSCO #2512, 2525, 2528
- A5.....GENERAL CEMENT #8282, 8806  
 WALSCO #2526, 2543

SIGNAL GENERATOR FREQUENCY	RADIO DIAL SETTING	INDICATOR	ADJUST	REMARKS
1. 455KC (400% Mod.)	Tuning gang fully open.	Output Meter across voice coil.	A1, A2, A3	Adjust for maximum. Repeat as required.
2. 1620KC	"	"	A4	Adjust for maximum.
3. 600KC	Tune to Signal.	"	A5	Rock tuning gang and adjust for maximum. Repeat steps 2 and 3.
4. 1400KC	"	"	A6	Adjust for maximum.



**HOWARD W. SAMS & CO., INC.** Indianapolis 6, Indiana



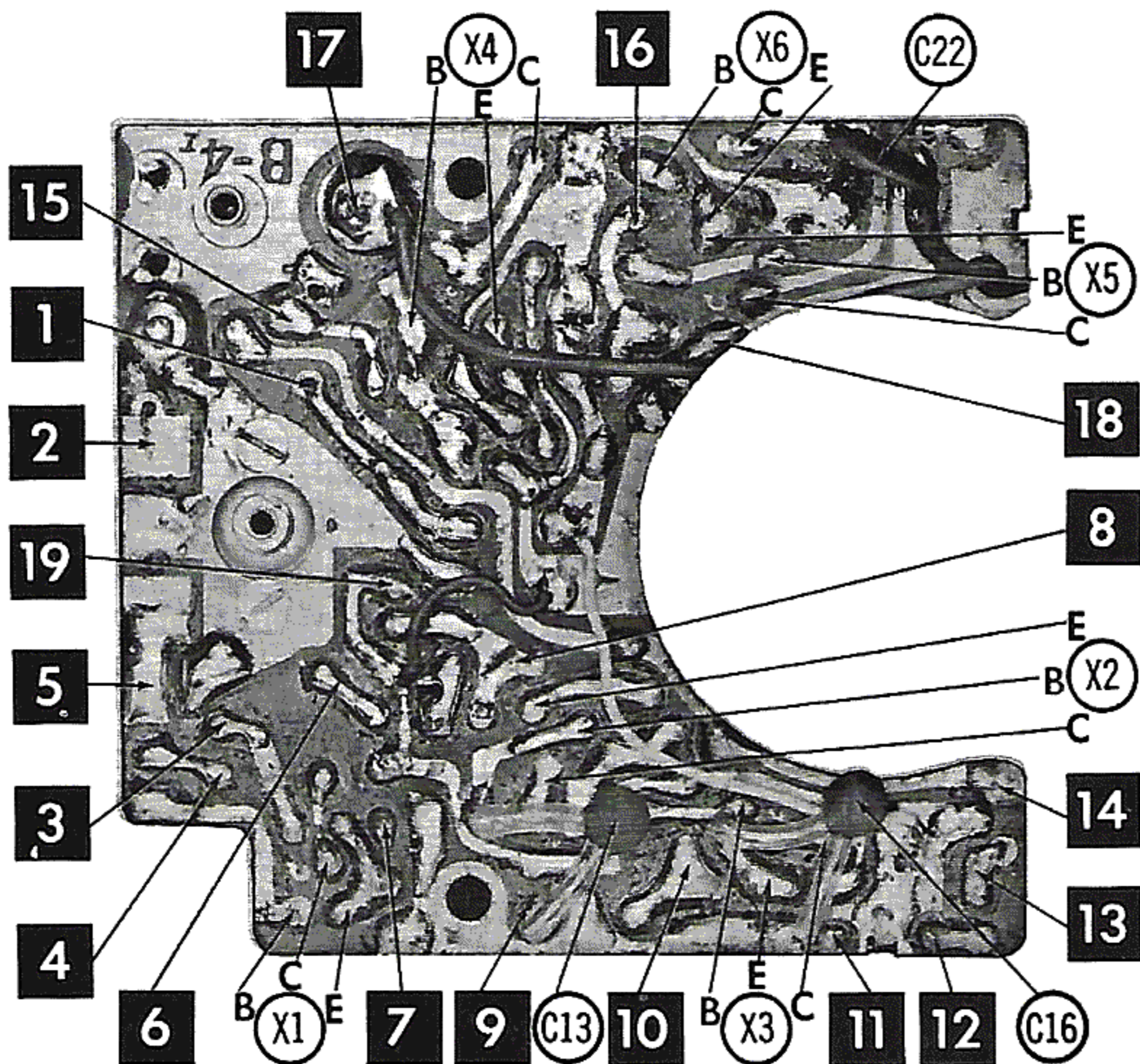


1. Voltage measurements taken with vacuum tube voltmeter.
2. All controls set for normal operation, no signal applied.
3. Measured values are from socket pin or terminal to common ground.
4. All terminals viewed from bottom unless otherwise designated.
5. Numbers assigned to terminals may not be found on the unit.
6. Supply voltage maintained at rated value for voltage readings.
7. Resistance measurements not given because of the wide variation in internal resistance of transistor.

A PHOTOFACIT STANDARD NOTATION SCHEMATIC  
with **CIRCUITRACE**

**LAFAYETTE MODEL FS-248**

©Howard W. Sams & Co., Inc. 1963





## WIRING DATA

General-use Unshielded Hook-up Wire .....	Use BELDEN No. 8530 (Solid 22AWG) 8524 (Stranded 22AWG) 8570 (Stranded 26AWG)	Available in 12 Colors
---	---	------------------------------

## TRANSISTORS

ITEM No.	ORIG. TYPE	USE	REPLACEMENT DATA			NOTES
			DELCO PART No.	GENERAL ELECTRIC PART No.	RCA PART No.	
X1	2SA102	Converter	DS-25	GE-9		PNP
X2	2SA101	1st IF Amp.	DS-25	GE-9		PNP
X3	2SA101	2nd IF Amp.	DS-25	GE-9		PNP
X4	2SB171	Driver			2N408	PNP
X5	2SB172	Output			2N408	PNP
X6	2SB172	Output			2N408	PNP

## ELECTROLYTIC CAPACITORS

ITEM No.	RATING		REPLACEMENT DATA						
	CAP.	VOLT.	LAFAYETTE PART No.	AEROVOX PART No.	CORNELL-DUBILIER PART No.	GENERAL ELECTRIC PART No.	GENERAL INSTRUMENT PART No.	MALLORY PART No.	SPRAGUE PART No.
C1	50	10		BCD12035	NLW50-15	MT1-16			
C2	6	6		CRE305A	NLW6-15	MT1-5			TE-1085
C3	5	6		CRE304A	NLW5-15	MT1-3			TE-1084
C4	50	3							

## FIXED CAPACITORS

ITEM No.	RATING	REMARKS	REPLACEMENT DATA					
			AEROVOX PART No.	CENTRALAB PART No.	CORNELL-DUBILIER PART No.	ELMENCO PART No.	MALLORY PART No.	SPRAGUE PART No.
C10	.02		TTD-02	CK-203	H3		TA-120	TG-820
C11	.005		TTD-005	CK-502	H1		TA-250	TG-D50
C12	140		SI 150	CPR-150J	LA10T15	CCD-150	GP315	10TS-T15
C13	3		NPO-DI 3.0	DTZ-3R3	C10V3C	CCTO-3R3	CNO-533	10TCC-V33
C14	.02		TTD-02	CK-203	H3		TA-120	TG-820
C15	3		NPO-DI 3.0	DTZ-3R3	C10V3C	CCTO-3R3	CNO-533	10TCC-V33
C16	5		NPO-DI 5.0	DTZ-4R7	C10V5C	CCTO-050	CNO-547	10TCC-V50
C17	.02		TTD-02	CK-203	H3		TA-120	TG-820
C18	.02		TTD-02	CK-203	H3		TA-120	TG-820
C19	.02		TTD-02	CK-203	H3		TA-120	TG-820
C20	.02		TTD-02	CK-203	H3		TA-120	TG-820
C21	460			DM-501				
C22	.02	(.001) † Note 1	TTD-02	CK-203	H3		TA-120	TG-820

Note 1. Not used in some versions.

† Alternate Value.

## CONTROLS

All wattages 1/2 watt, or less, unless otherwise listed.

ITEM No.	USE	RESISTANCE	REPLACEMENT DATA				
			LAFAYETTE PART No.	CENTRALAB PART No.	CLAROSTAT PART No.	CTS-IRC PART No.	MALLORY PART No.
R1	Volume & Switch	5000Ω					

# D DESCRIPTION

## COILS (RF-IF)

ITEM No.	USE	REPLACEMENT DATA					NOTES
		LAFAYETTE PART No.	MERIT PART No.	MILLER PART No.	STANCOR PART No.	WORKMAN PART No.	
L1	Loopstick Osc. 1st IF 2nd IF 3rd IF			2009			
L2			BC-577	2065		RTC-9265	
L3				BC-574	2066	RTC-9266	
L4				BC-575	2067	RTC-9267	
L5				BC-576	2068	RTC-9268	

## TRANSFORMER (DRIVER)

ITEM No.	TURNS RATIO		REPLACEMENT DATA					NOTES
			LAFAYETTE PART No.	MERIT PART No.	STANCOR PART No.	THORDARSON PART No.	TRIAD PART No.	
	PRI.	SEC.						
T1	2	1						

## TRANSFORMER (AUDIO OUTPUT)

ITEM No.	IMPEDANCE		REPLACEMENT DATA					NOTES
			LAFAYETTE PART No.	MERIT PART No.	STANCOR PART No.	THORDARSON PART No.	TRIAD PART No.	
	PRI.	SEC.						
T2	800Ω CT	8-10Ω						

## SPEAKER

ITEM No.	TYPE	REPLACEMENT DATA		NOTES
		LAFAYETTE PART No.	QUAM PART No.	
SP1	2 1/4" PM 8-10Ω			

## BATTERIES

ITEM No.	VOLTAGE	LAFAYETTE PART No.	REPLACEMENT DATA			NOTES
			BURGESS	EVEREADY	MALLORY	
M1	9V		2U6 (or H146)	216 (or E146)	M-1604 (or MN1604, TR-146)	

## MISCELLANEOUS

ITEM No.	PART NAME	LAFAYETTE PART No.	NOTES
M2 M3	Tuning Cap. Detector (1N34A)		