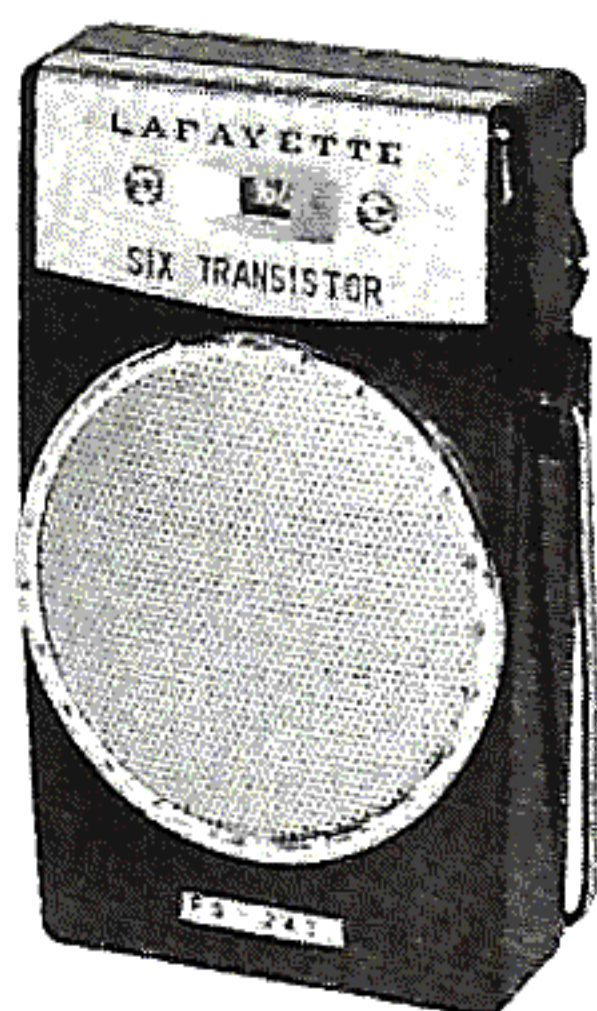
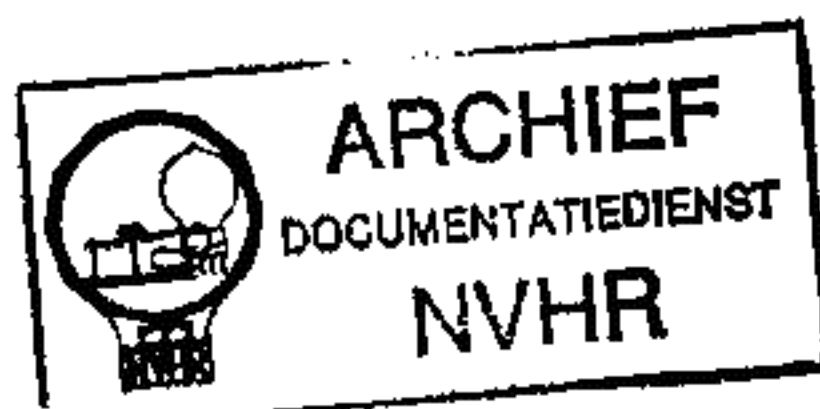


Met dank aan Jef Bos



TRADE NAME : Lafayette Model FS-243
 SUPPLIER : Lafayette Radio Electronics Corp.,
 111 Jericho Turnpike, Syosset, L. I., N. Y.
 TYPE SET : 6 Transistor AM Receiver
 POWER SUPPLY : 9 Volts DC
 RATING : 7MA @ 9VDC (No Signal, Min. Volume)
 16MA @ 9VDC (Signal, Normal Volume)
 TUNING RANGE : BROADCAST 540 - 1620KC

Ned. Ver. v. Historie v/d

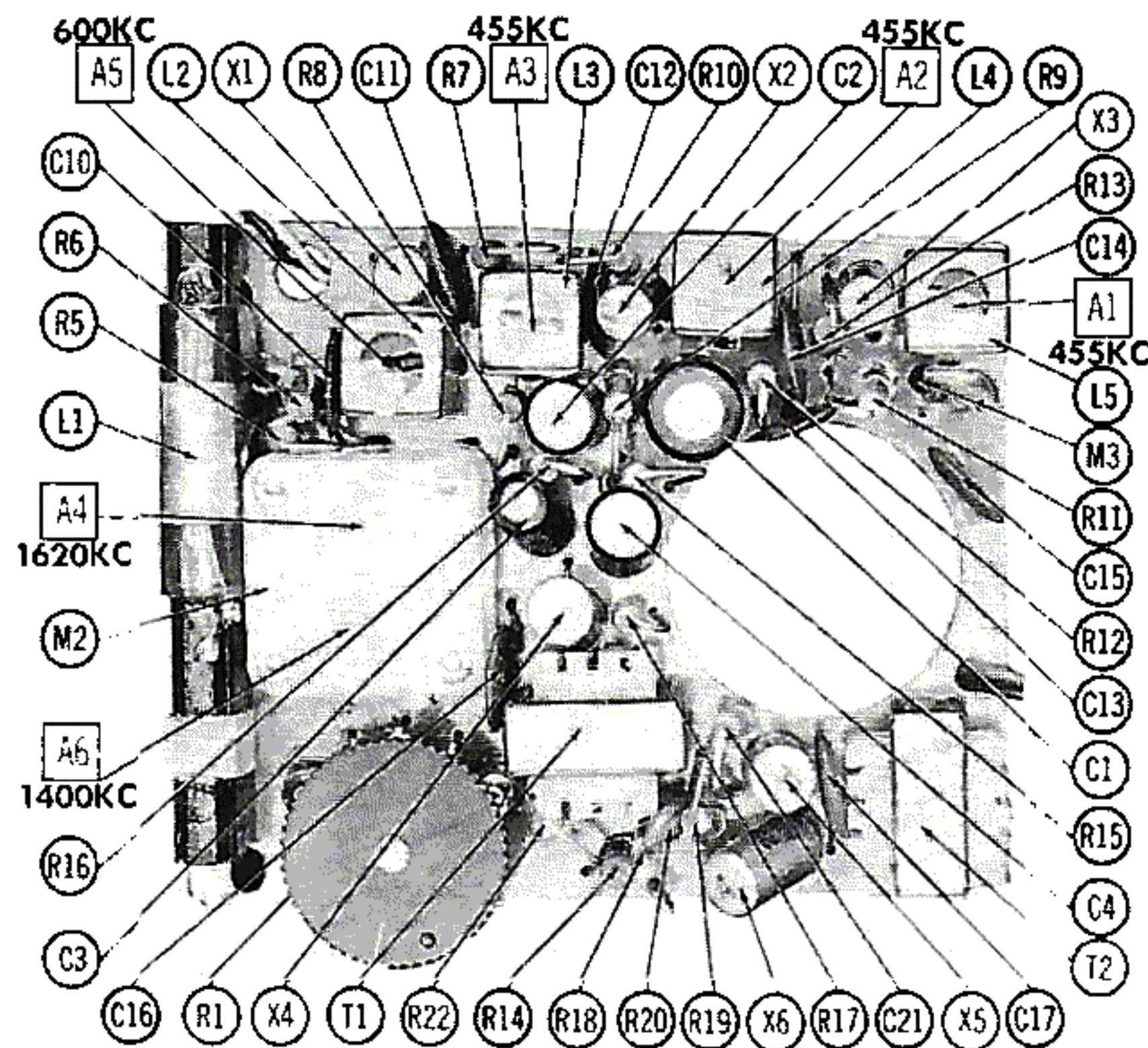


ALIGNMENT INSTRUCTIONS

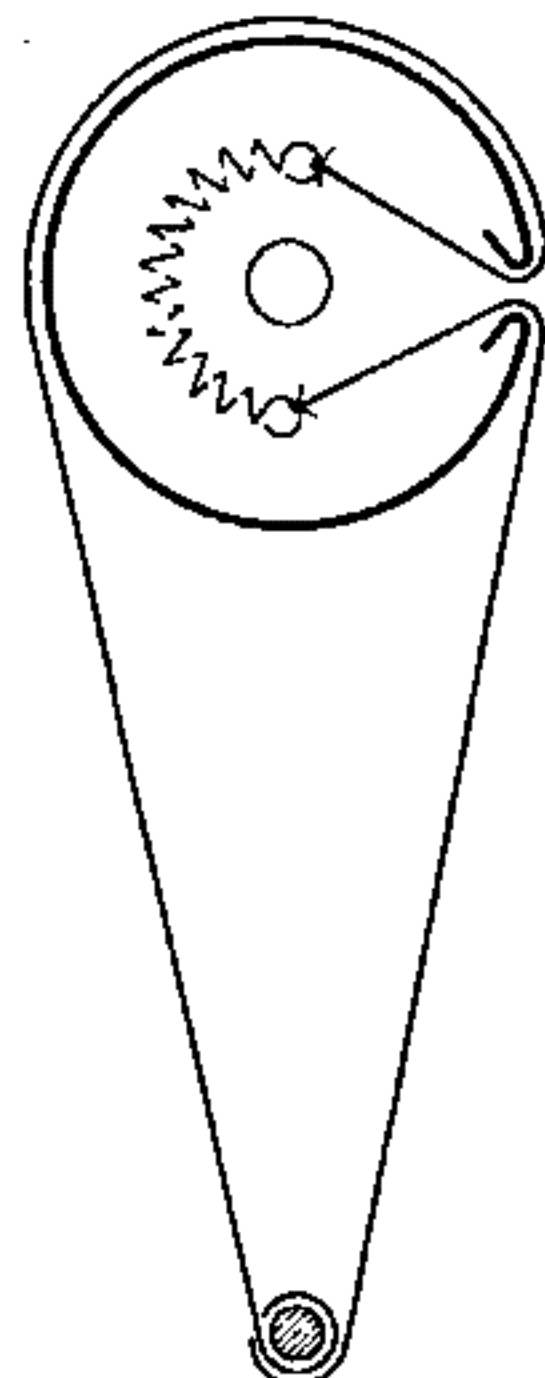
Check for specified source voltage.
 Fashion loop of several turns of wire and connect generator across loop.
 Adjust output of generator to radiate only enough signal into receiver to obtain a suitable indication.
 Suggested Alignment Tools:

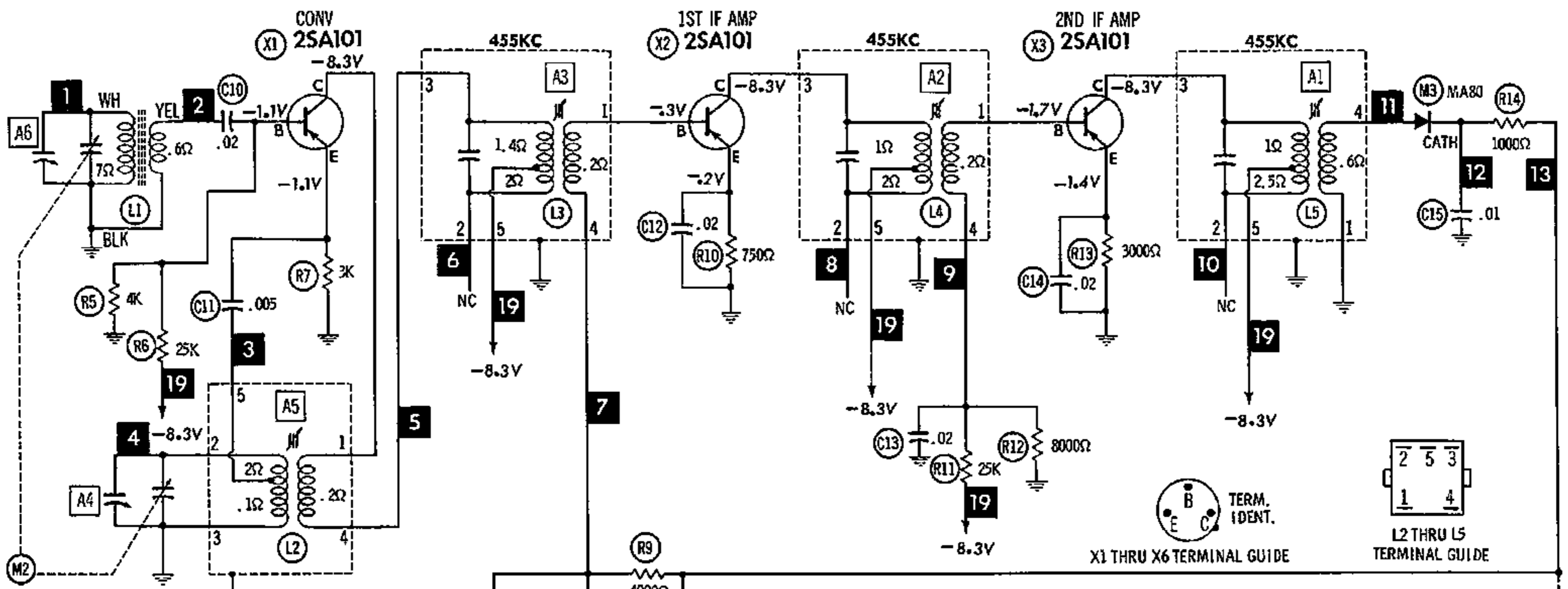
A1, A2, A3, A5.....GENERAL CEMENT #5067, 8282, 8606
 WALSCO #2526, 2543
 A4, A6..... GENERAL CEMENT #5000, 5066, 8290
 WALSCO #2512, 2525, 2528

SIGNAL GENERATOR FREQUENCY	RADIO DIAL SETTING	INDICATOR	ADJUST	REMARKS
1. 455KC (400% Mod.)	Tuning gang fully open.	Output Meter across voice coil.	A1, A2, A3	Adjust for maximum. Repeat as required.
2. 1620KC	"	"	A4	Adjust for maximum.
3. 600KC	Tune to Signal.	"	A5	Rock tuning gang and adjust for maximum. Repeat steps 2 and 3.
4. 1400KC	"	"	A6	Adjust for maximum.

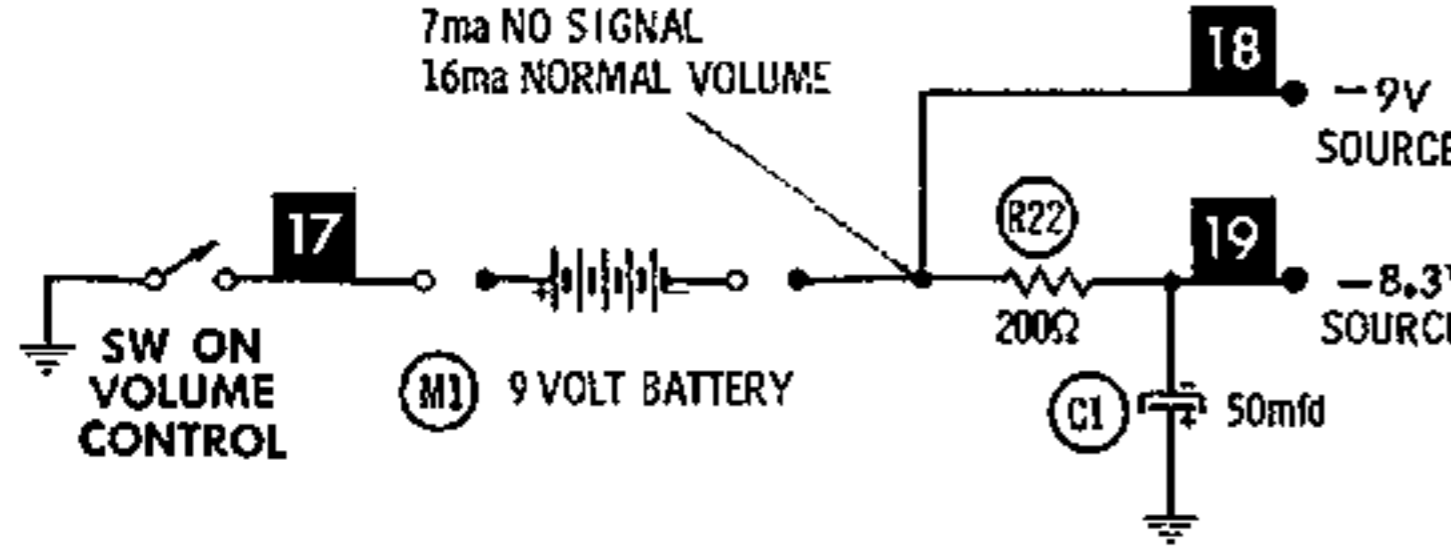


DIAL CORD STRINGING



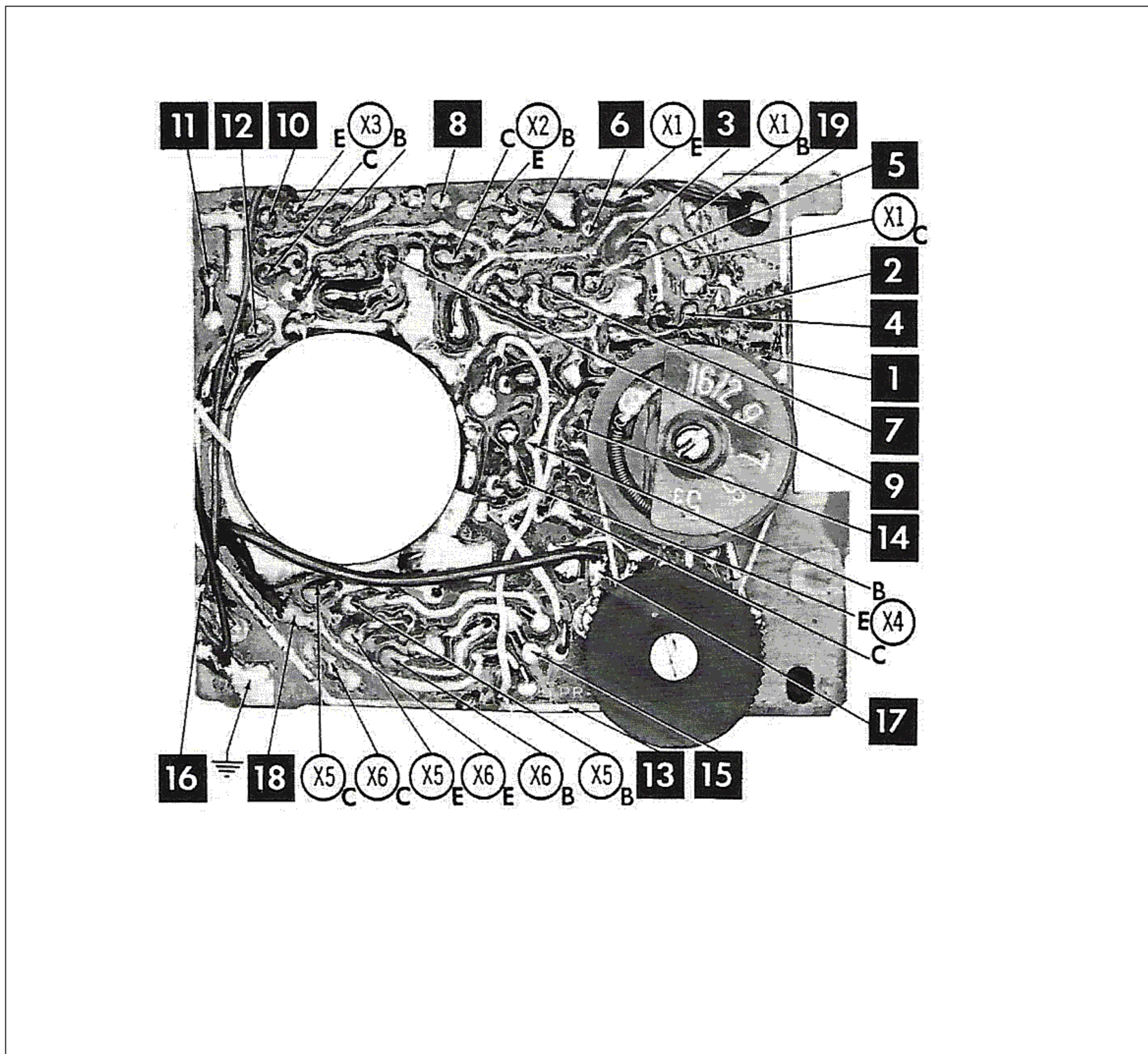
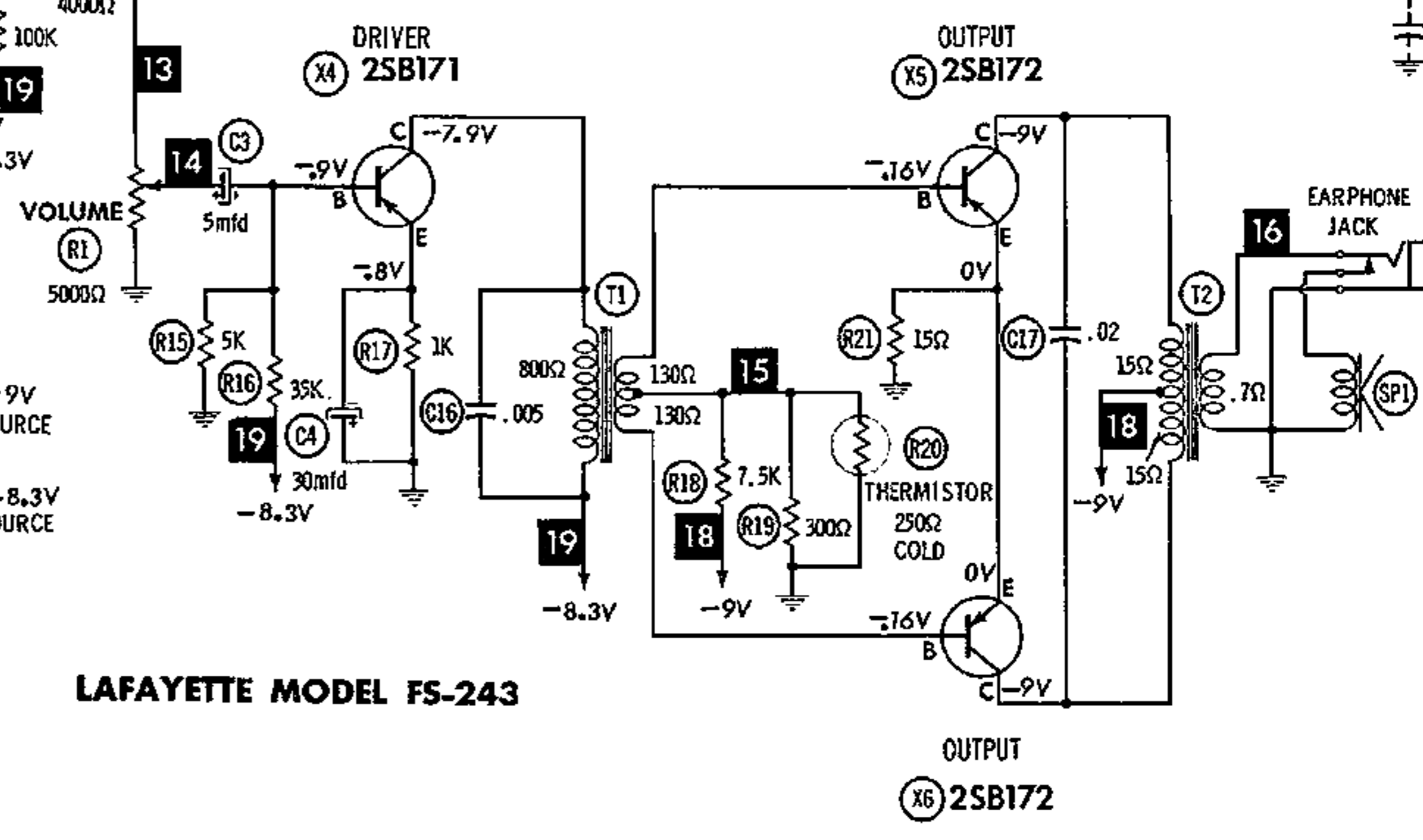


1. Voltage measurements taken with vacuum tube voltmeter.
2. All controls set for normal operation, no signal applied.
3. Measured values are from socket pin or terminal to common ground.
4. All terminals viewed from bottom unless otherwise designated.
5. Numbers assigned to terminals may not be found on the unit.
6. Supply voltage maintained at rated value for voltage readings.
7. Resistance measurements not given because of the wide variation in internal resistance of transistor.



A PHOTOFACIT STANDARD NOTATION SCHEMATIC
with **CIRCUITRACE**
©Howard W. Sams & Co., Inc. 1963

LAFAYETTE MODEL FS-243



PARTS LIST AND DESCRIPTION

TRANSISTORS

ITEM No.	ORIG. TYPE	USE	REPLACEMENT DATA			NOTES
			DELCO PART No.	GENERAL ELECTRIC PART No.	RCA PART No.	
X1	2SA101	Converter	DS-25	GE-9		PNP PNP PNP PNP PNP PNP
X2	2SA101	1st IF Amplifier	DS-25	GE-9		
X3	2SA101	2nd IF Amplifier	DS-25	GE-9		
X4	2SB171	Driver			2N408	
X5	2SB172	Output			2N408	
X6	2SB172	Output			2N408	

ELECTROLYTIC CAPACITORS

ITEM No.	RATING		REPLACEMENT DATA						
	CAP.	VOLT.	LAFAYETTE PART No.	AEROVOX PART No.	CORNELL-DUBILIER PART No.	GENERAL ELECTRIC PART No.	GENERAL INSTRUMENT PART No.	MALLORY PART No.	SPRAGUE PART No.
C1	50	10							
C2	30	8							
C3	5	6		CRE204A	NLW6-15	MT1-3			TE-1052.2
C4	30	3							

FIXED CAPACITORS

ITEM No.	RATING	REMARKS	REPLACEMENT DATA						
			AEROVOX PART No.	CENTRALAB PART No.	CORNELL-DUBILIER PART No.	ELMENCO PART No.	MALLORY PART No.	SPRAGUE PART No.	
C10	.02		TTD-02	CK-203	H3			TA-120	TG-S20
C11	.005		TTD-005	CK-502	H1			TA-250	TG-D50
C12	.02		TTD-02	CK-203	H3			TA-120	TG-S20
C13	.02		TTD-02	CK-203	H3			TA-120	TG-S20
C14	.02		TTD-02	CK-203	H3			TA-120	TG-S20
C15	.01		TTD-01	CK-103	H2			TA-110	TG-S10
C16	.005		TTD-005	CK-502	H1			TA-250	TG-D50
C17	.02		TTD-02	CK-203	H3			TA-120	TG-S20

CONTROLS

All wattages 1/2 watt, or less, unless otherwise listed.

ITEM No.	USE	RESIST-ANCE	REPLACEMENT DATA			
			LAFAYETTE PART No.	CENTRALAB PART No.	CLAROSTAT PART No.	CTS-IRC PART No.
R1	Volume & Switch	5000Ω				

COILS (RF-IF)

ITEM No.	USE	REPLACEMENT DATA					NOTES
		LAFAYETTE PART No.	MERIT PART No.	MILLER PART No.	STANCOR PART No.	WORKMAN PART No.	
L1	Loopstick						
L2	Osc.						
L3	1st IF		BC-574	2066	RTC-9266		
L4	2nd IF		BC-575	2067	RTC-9267		
L5	3rd IF		BC-576	2068	RTC-9268		

TRANSFORMER (DRIVER)

ITEM No.	TURNS RATIO		REPLACEMENT DATA					NOTES
			LAFAYETTE PART No.	MERIT PART No.	STANCOR PART No.	THORDARSON PART No.	TRIAD PART No.	
	PRI.	SEC.						
T1	2	1						

TRANSFORMER (AUDIO OUTPUT)

ITEM No.	IMPEDANCE		REPLACEMENT DATA					NOTES
			LAFAYETTE PART No.	MERIT PART No.	STANCOR PART No.	THORDARSON PART No.	TRIAD PART No.	
	PRI.	SEC.						
T2	200Ω CT	6-8Ω						

SPEAKER

ITEM No.	TYPE	REPLACEMENT DATA		NOTES
		LAFAYETTE PART No.	QUAM PART No.	
SP1	2 1/4" PM 6-8Ω			

BATTERIES

ITEM No.	VOLTAGE	LAFAYETTE PART No.	REPLACEMENT DATA			NOTES
			BURGESS	EVEREADY	MALLORY	
M1	9V		2U6 (or H146)	216 (or E146)	M-1604 (or MN1604, TR-146)	

MISCELLANEOUS

ITEM No.	PART NAME	LAFAYETTE PART No.	NOTES
M2 M3	Tuning Cap. Detector(MA80)		

WIRING DATA

General-use Unshielded Hook-up Wire	Use BELDEN No. 8530 (Solid 22AWG) 8524 (Stranded 22AWG) 8570 (Stranded 28AWG)	Available in 12 Colors
---	---	------------------------------