

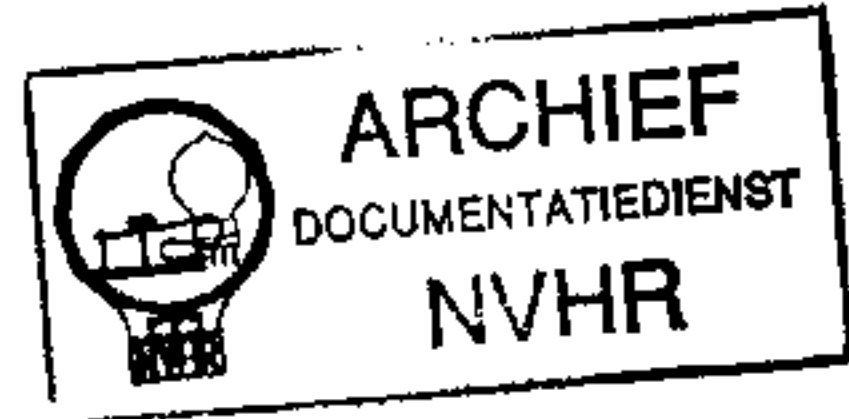
PHOTOFACT® Folder

with CIRCUITRACE\*  
TRADE MARK

LAFAYETTE  
MODEL FS-225



Ned. Ver. v. Historie v/d Radio



Met dank aan Jef Bos

TRADE NAME	Lafayette Model FS-225		
SUPPLIER	Lafayette Radio, 165-08 Liberty Ave., Jamaica 33, N. Y.		
TYPE SET	Battery Operated Transistorized Portable AM Receiver with Manual Record Player		
POWER SUPPLY	9 Volts DC	RATING	11MA @ 9 Volts DC (No Signal, Min. Volume - Radio)
TUNING RANGE - BROADCAST	540-1600KC		15MA @ 9 Volts DC (Signal, Normal Volume - Radio)

## ALIGNMENT INSTRUCTIONS

ALIGNMENT INSTRUCTIONS--READ CAREFULLY BEFORE ATTEMPTING ALIGNMENT

Volume control should be at maximum position. Output of signal generator should be no higher than necessary to obtain an output reading.

Suggested Alignment Tools:

A1, A2, A3..... GENERAL CEMENT #5004, 5009, 8195, 8274, 8275, 8607, 8728, 8987, 8988, 8989, 9291  
 WALSCO #2515, 2520, 2522, 2523, 2531, 2532, 2534, 2537, 2538  
 A4, A5..... GENERAL CEMENT #5004, 5008, 5009  
 WALSCO #2520  
 A6..... GENERAL CEMENT #9440

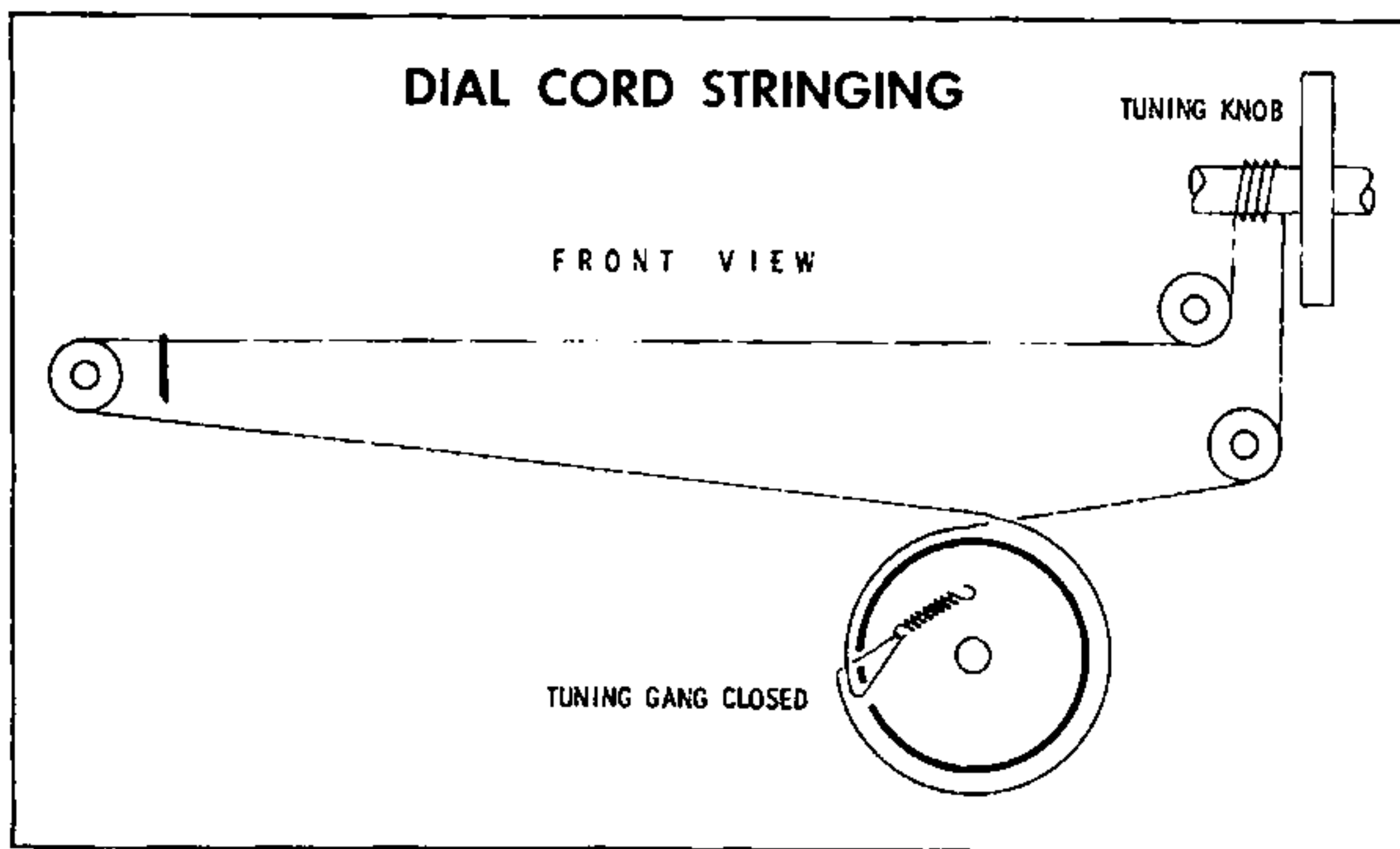
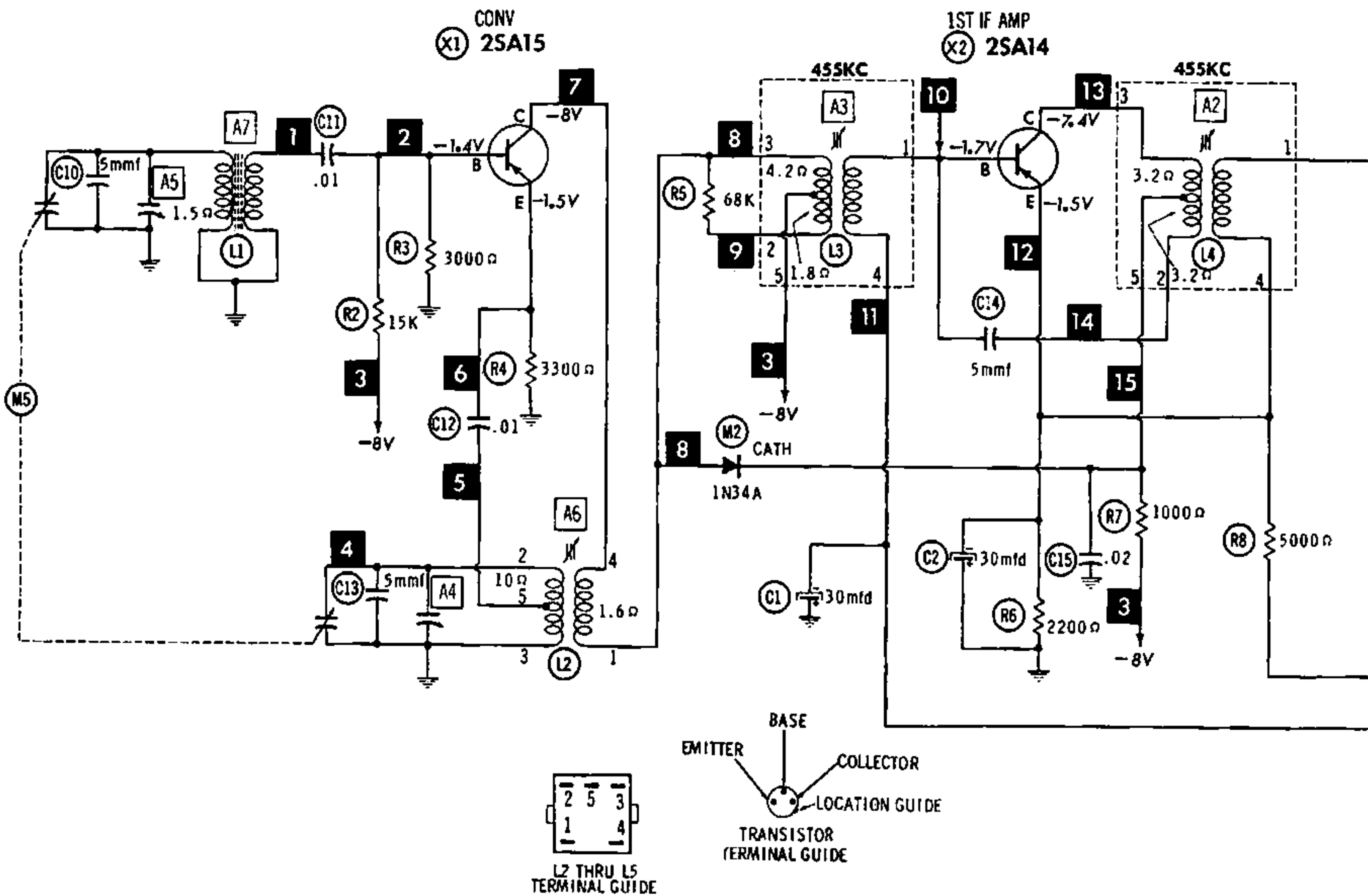
	SIGNAL GENERATOR COUPLING	SIGNAL GENERATOR FREQUENCY	RADIO DIAL SETTING	OUTPUT METER	ADJUST	REMARKS
1.	Fashion loop of several turns of wire and radiate signal into loop of receiver.	455KC (400% Mod.)	Tuning gang fully open.	Across voice coil.	A1, A2, A3	Adjust for maximum output.
2.	"	1600KC	1600KC	"	A4, A5	"
3.	"	600KC	600KC	"	A6, A7	Adjust for maximum output. A7 is adjusted by moving antenna coil turns along ferrite core. Repeat steps 2 and 3.

**HOWARD W. SAMS & CO., INC.** Indianapolis 6, Indiana

The listing of any available replacement part herein does not constitute in any case a recommendation, warranty or guaranty by Howard W. Sams & Co., Inc., as to the quality and suitability of such replacement part. The numbers of these parts have been compiled from information furnished to Howard W. Sams & Co., Inc., by the manufacturers of L0043

the particular type of replacement part listed. Reproduction or use, without express permission, of editorial or pictorial content, in any manner, is prohibited. No patent liability is assumed with respect to the use of the information contained herein. © 1962 Howard W. Sams & Co., Inc., Indianapolis 6, Indiana. Printed in U.S. of America





MEASURED IN PHONO POSITION

RESISTANCE MEASUREMENTS NOT GIVEN BECAUSE OF THE WIDE VARIATION IN INTERNAL TRANSISTOR RESISTANCE.

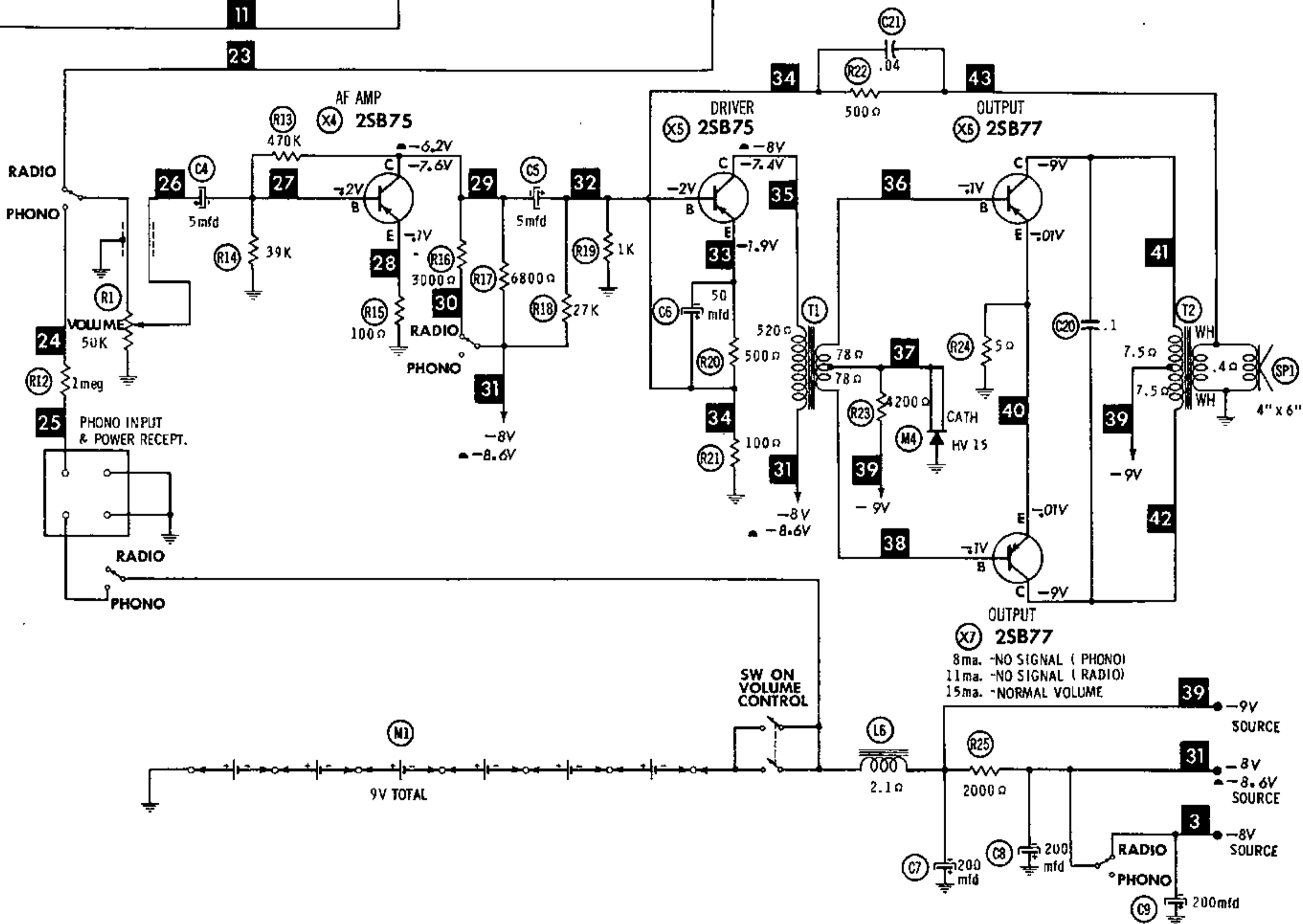
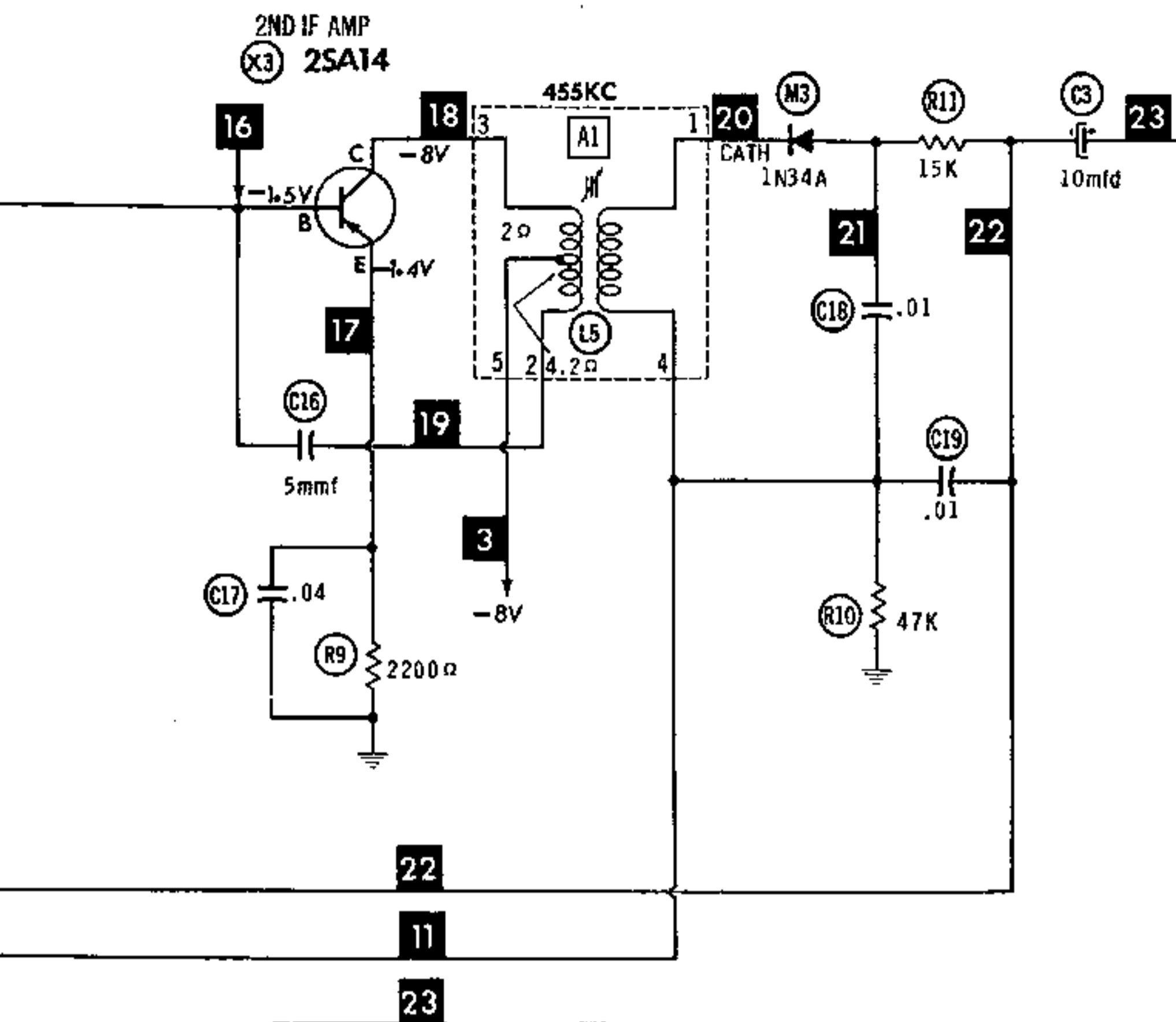
DC COIL RESISTANCE VALUES UNDER ONE OHM NOT SHOWN ON SCHEMATIC DIAGRAM

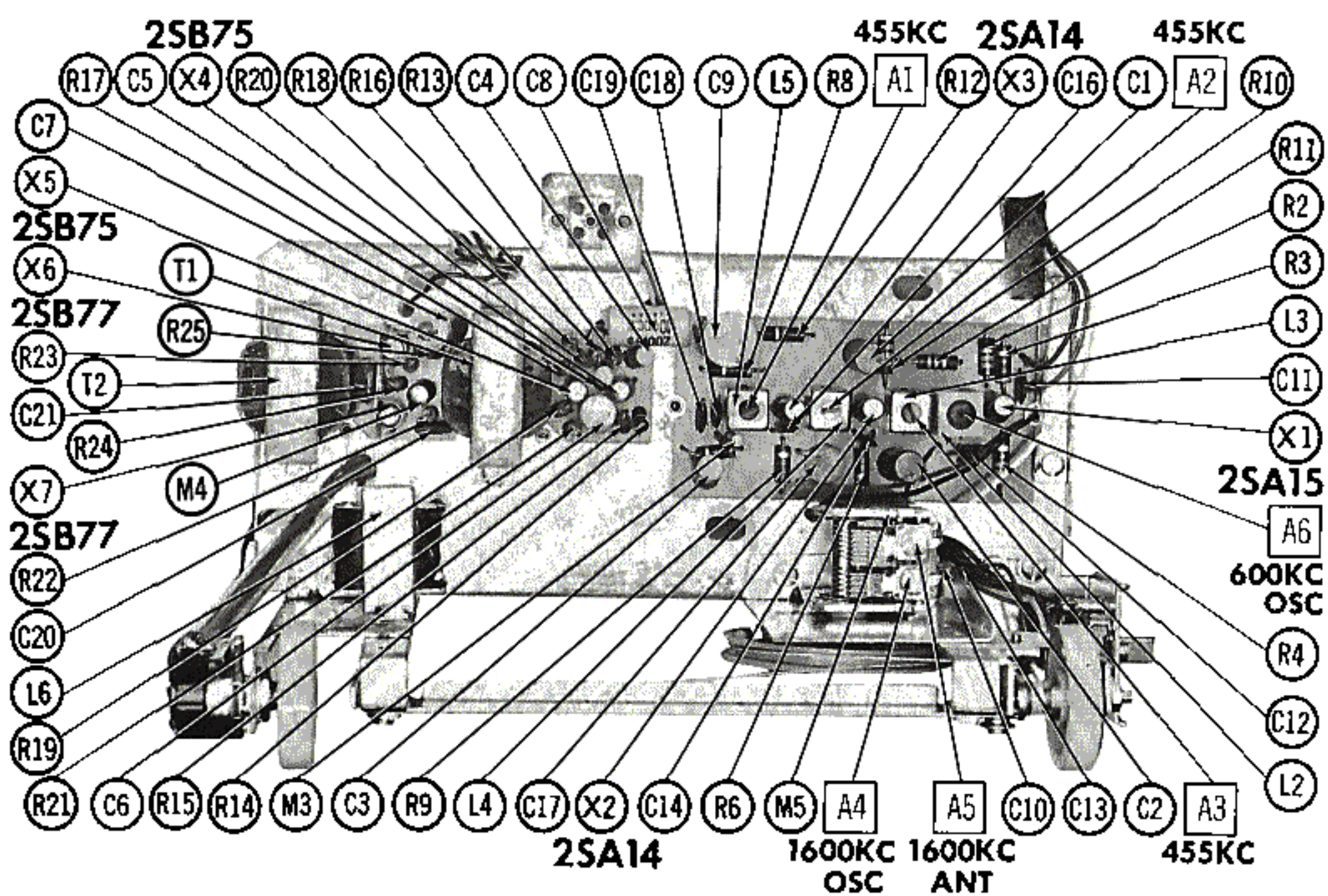
NUMBERS ASSIGNED TO COILS, SWITCHES, PLUGS, SOCKETS, AND TRANSFORMERS ARE TO FACILITATE CIRCUIT TRACING OR COMPONENT REPLACEMENT AND MAY NOT NECESSARILY BE FOUND ON THE UNIT.

1. DC voltage measurements taken with vacuum tube voltmeter.
2. Socket connections or transistor terminals are shown as bottom views.
3. Measured values are from socket pin or terminal to common ground.
4. Nominal tolerance on component values makes possible a variation of  $\pm 15\%$  in voltage and resistance readings.
5. Volume control at maximum, no signal applied for voltage measurements.

A PHOTOFACIT STANDARD NOTATION SCHEMATIC with CIRCUITRACE

© Howard W. Sams & Co., Inc. 1962





CHASSIS TOP VIEW

# PARTS LIST AND DESCRIPTIONS

## TRANSISTORS

ITEM No.	ORIG. TYPE	USE	REPLACEMENT DATA		NOTES
			RCA PART No.	RAYTHEON PART No.	
X1	2SA15	Converter	2N412		PNP
X2	2SA14	1st IF Amplifier	2N410		PNP
X3	2SA14	2nd IF Amplifier	2N410		PNP
X4	2SB75	AF Amplifier	2N406		PNP
X5	2SB75	Driver	2N406		PNP
X6	2SB77	Output	2N408		PNP
X7	2SB77	Output	2N408		PNP

## ELECTROLYTIC CAPACITORS

ITEM No.	RATING		REPLACEMENT DATA						
	CAP.	VOLT.	LAFAYETTE PART No.	AEROVOX PART No.	CORNELL-DUBILIER PART No.	GENERAL ELECTRIC PART No.	MALLORY PART No.	PYRAMID PART No.	SPRAGUE PART No.
C1	30	6		BCD6025	ECPB412	MT1-13	TT6X30	MLV30-6	VL-1092
C2	30	6		BCD6025	ECPB412	MT1-13	TT6X30	MLV30-6	VL-1092
C3	10	3		BCD3010	ECPB408	MT1-5	PET1340	MLV10-3	VL-1038
C4	5	6		BCD8005	ECPB405	MT1-3	TT6X5	MLV5-6	VL-1084
C5	5	6		BCD6005	ECPB405	MT1-3	TT6X5	MLV5-6	VL-1084
C6	50	3		BCD3050	ECPB15	MT1-15	PET1575	MLV50-3	VL-1045
C7	200	10		BCD10190	NLW200-12	MT1-23	TC1502	MLV200-10	TE-1119.6
C8	200	10		BCD10190	NLW200-12	MT1-23	TC1502	MLV200-10	TE-1119.6
C9	200	10		BCD10190	ECPB421	MT1-23	TC1502	MLV200-10	TE-1119.6

## FIXED CAPACITORS

ITEM No.	RATING	REMARKS	REPLACEMENT DATA					
			AEROVOX PART No.	CENTRALAB PART No.	CORNELL-DUBILIER PART No.	ELMENCO PART No.	MALLORY PART No.	SPRAGUE PART No.
C10	5mmf		NPO-DI 5.0	DTZ-4R7	C10V5C	CCTO-050	CNO-547	10TCC-V50
C11	.01		BPD-01	DM-103	H-05S1	CCD-103	TA-110	TG-S10
C12	.01		BPD-01	DM-103	H-05S1	CCD-103	TA-110	TG-S10
C13	5mmf		NPO-DI 5.0	DTZ-4R7	C10V5C	CCTO-050	CNO-547	10TCC-V50
C14	5mmf		NPO-DI 5.0	DTZ-4R7	C10V5C	CCTO-050	CNO-547	10TCC-V50
C15	.02		BPD-02	DA-203	H-05S2	CCD-203	TA-120	TG-S20
C16	5mmf		NPO-DI 5.0	DTZ-4R7	C10V5C	CCTO-050	CNO-547	10TCC-V50
C17	.04							
C18	.01		BPD-01	DM-103	H-05S1	CCD-103	TA-110	TG-S10
C19	.01		BPD-01	DM-103	H-05S1	CCD-103	TA-110	TG-S10
C20	.1		C80V104AM	DA-104	H-05P1		TA-010	TG-P10
C21	.04							

## CONTROLS

All wattages 1/2 watt, or less, unless otherwise listed.

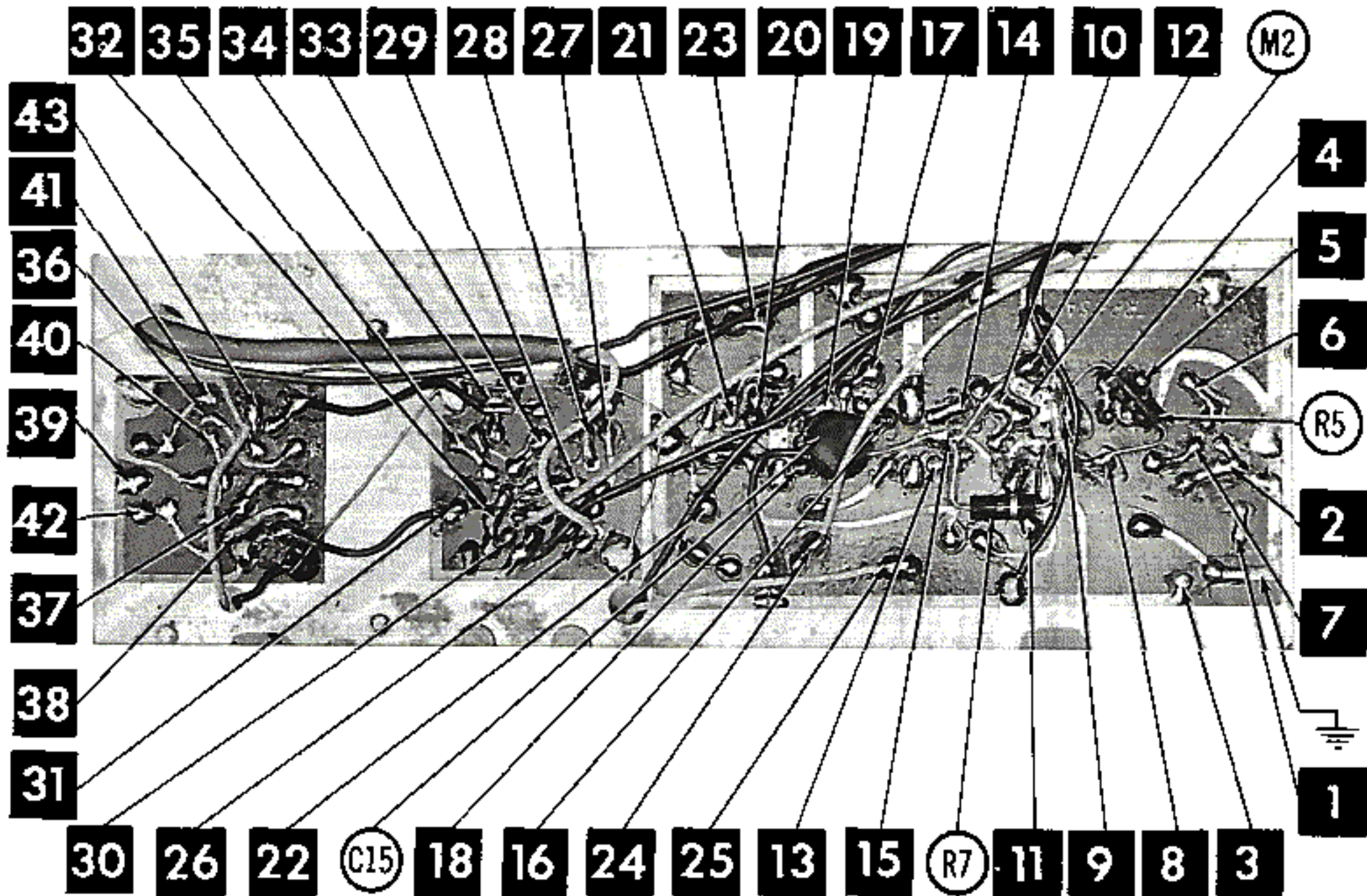
ITEM No.	USE	RESISTANCE	REPLACEMENT DATA				
			LAFAYETTE PART No.	CENTRALAB PART No.	CLAROSTAT PART No.	CTS-IRC PART No.	MALLORY PART No.
R1	Volume & Switch	50K					

## RESISTORS

All wattages 1/2 watt, or less, unless otherwise listed.

ITEM No.	RATING	REPLACEMENT DATA			ITEM No.	RATING	REPLACEMENT DATA		
		IRC PART No.	WORKMAN TV PART No.	REMARKS			IRC PART No.	WORKMAN TV PART No.	REMARKS
R2	15K				R14	39K			
R3	3000Ω				R15	100Ω			
R4	3300Ω				R16	3000Ω			
R5	68K				R17	6800Ω			
R6	2200Ω				R18	27K			
R7	1000Ω				R19	1000Ω			
R8	5000Ω				R20	500Ω			
R9	2200Ω				R21	100Ω			
R10	47K				R22	500Ω			
R11	15K				R23	4200Ω			
R12	1meg				R24	5Ω			
R13	470K				R25	2000Ω			

(CONTINUED ON REAR PAGE)



# PARTS LIST AND DES

## COILS (RF-IF)

ITEM No.	USE	REPLACEMENT DATA					NOTES
		AMERICANA PART No.	Merit PART No.	Miller PART No.	Stancor PART No.	Workman TV PART No.	
L1	Loopstick Osc. 1st IF 2nd IF 3rd IF						
L2							
L3							
L4							
L5							

## TRANSFORMER (DRIVER)

ITEM No.	TURNS RATIO		REPLACEMENT DATA					NOTES
	PRI.	SEC.	AMERICANA PART No.	Merit PART No.	Stancor PART No.	Thordarson PART No.	Triad PART No.	
T1	1	1	R11-120					

## TRANSFORMER (AUDIO OUTPUT)

ITEM No.	IMPEDANCE		REPLACEMENT DATA					NOTES
	PRI.	SEC.	AMERICANA PART No.	Merit PART No.	Stancor PART No.	Thordarson PART No.	Triad PART No.	
T2	1500Ω CT	10-12Ω	RLO-220					

## SPEAKER

ITEM No.	TYPE			REPLACEMENT DATA		NOTES
	SIZE	FIELD	V. C. IMP.	AMERICANA PART No.	QUAM PART No.	
SP1	2"	PM	10-12Ω	RAS-120		

## BATTERIES

ITEM No.	VOLTAGE	AMERICANA PART No.	REPLACEMENT DATA						NOTES
			BURGESS		EVEREADY		MALLORY		
			"A"	"B"	"A"	"B"	"A"	"B"	
M1	9V	006P		2U6		216		M-1604	

# DESCRIPTIONS (Continued)

## SIGNAL DIODES

ITEM No.	ORIG. TYPE	REPLACEMENT DATA			NOTES
		AMERICANA PART No.	GENERAL ELECTRIC PART No.	RAYTHEON PART No.	
M2	IN34A	IN34A		IN34A	Detector

## MISCELLANEOUS

ITEM No.	PART NAME	AMERICANA PART No.	NOTES
M3	Tuning Cap.		2 Gang

## WIRING DATA

General-use Unshielded Hook-up Wire ..... Use BELDEN No. 8530 (Solid) Available in Ten Colors  
8524 (Stranded) Available in Ten Colors