



PHOTOFACT[®] with

CIRCUITRACE[®]

Met dank aan Jef Bos

TRADE NAME : Lafayette Model FS-129
 SUPPLIER : Lafayette Radio Electronics Corp.
 111 Jericho Turnpike, Syosset, L.I.N. Y.
 TYPE SET : 11 Transistor AM Receiver
 POWER SUPPLY : 6 Volts DC
 RATING : 12MA@6VDC (No Signal, Min. Volume)
 25MA@6VDC (Signal, Normal Volume)
 TUNING RANGE : BROADCAST 540 - 1620KC

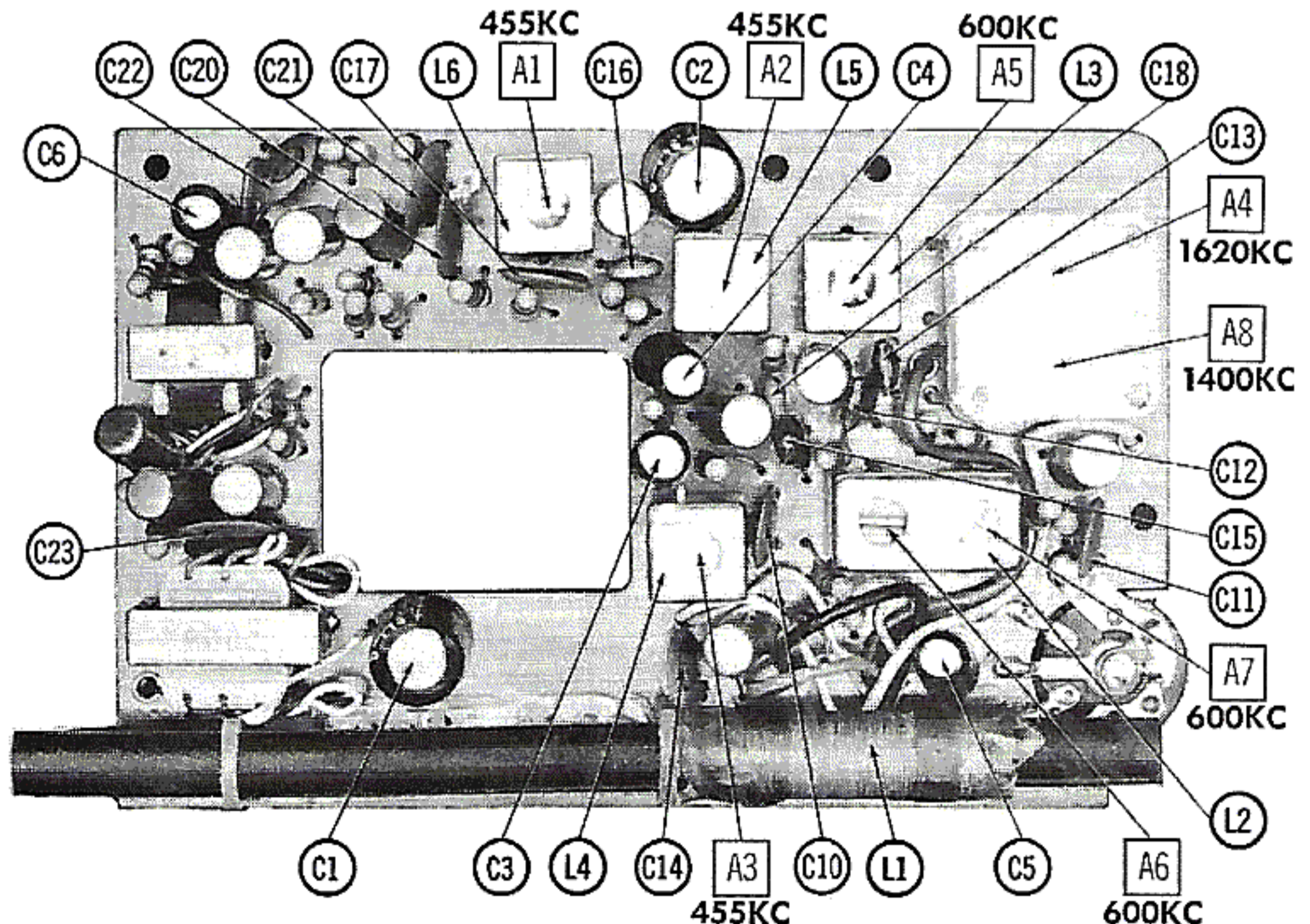
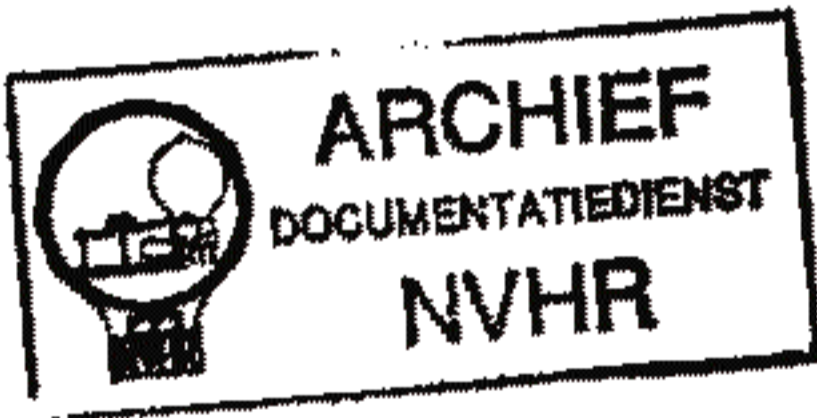


ALIGNMENT INSTRUCTIONS

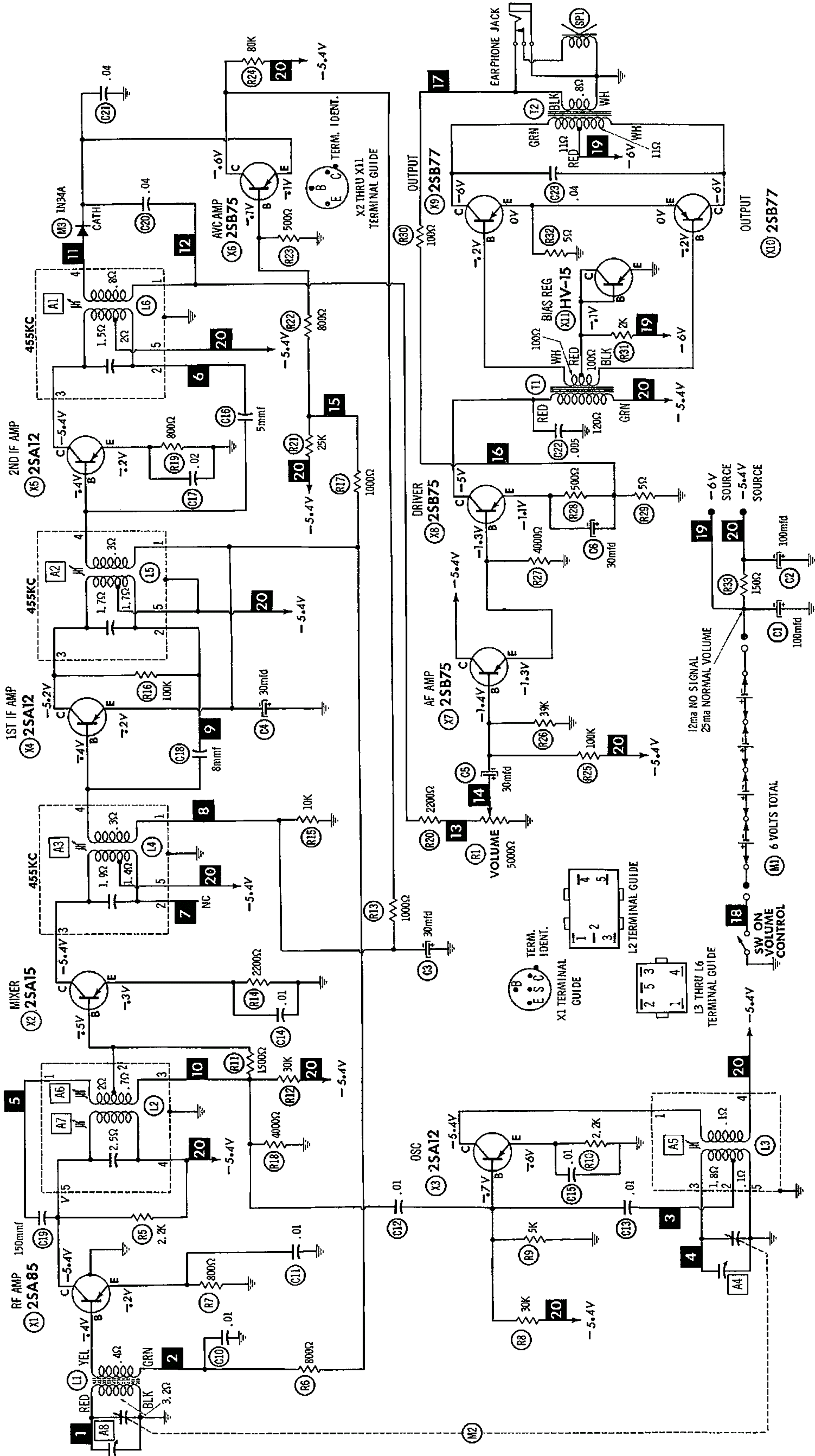
Check for specified source voltage.
 Fashion loop of several turns of wire and connect generator across loop.
 Adjust output of generator to radiate only enough signal into receiver to obtain a suitable indication.
 Suggested Alignment Tools:
 A1, A2, A3, A5, A6, A7. . . . GENERAL CEMENT #8275, 8282
 WALSCO #2526
 A4, A8. GENERAL CEMENT #5000, 5089
 WALSCO #2525

SIGNAL GENERATOR FREQUENCY	RADIO DIAL SETTING	INDICATOR	ADJUST	REMARKS
1. 455KC (400v Mod.)	Tuning gang fully open.	Output Meter across voice coil.	A1, A2, A3	Adjust for maximum. Repeat as required.
2. 1620KC	"	"	A4	Adjust for maximum.
3. 600KC	Tune to Signal.	"	A5, A6, A7	Rock tuning gang and adjust for maximum. Repeat steps 2 and 3.
4. 1400KC	"	"	A8	Adjust for maximum.

Ned. Ver. v. Historie v/d Radio



HOWARD W. SAMS & CO., INC. Indianapolis 6, Indiana

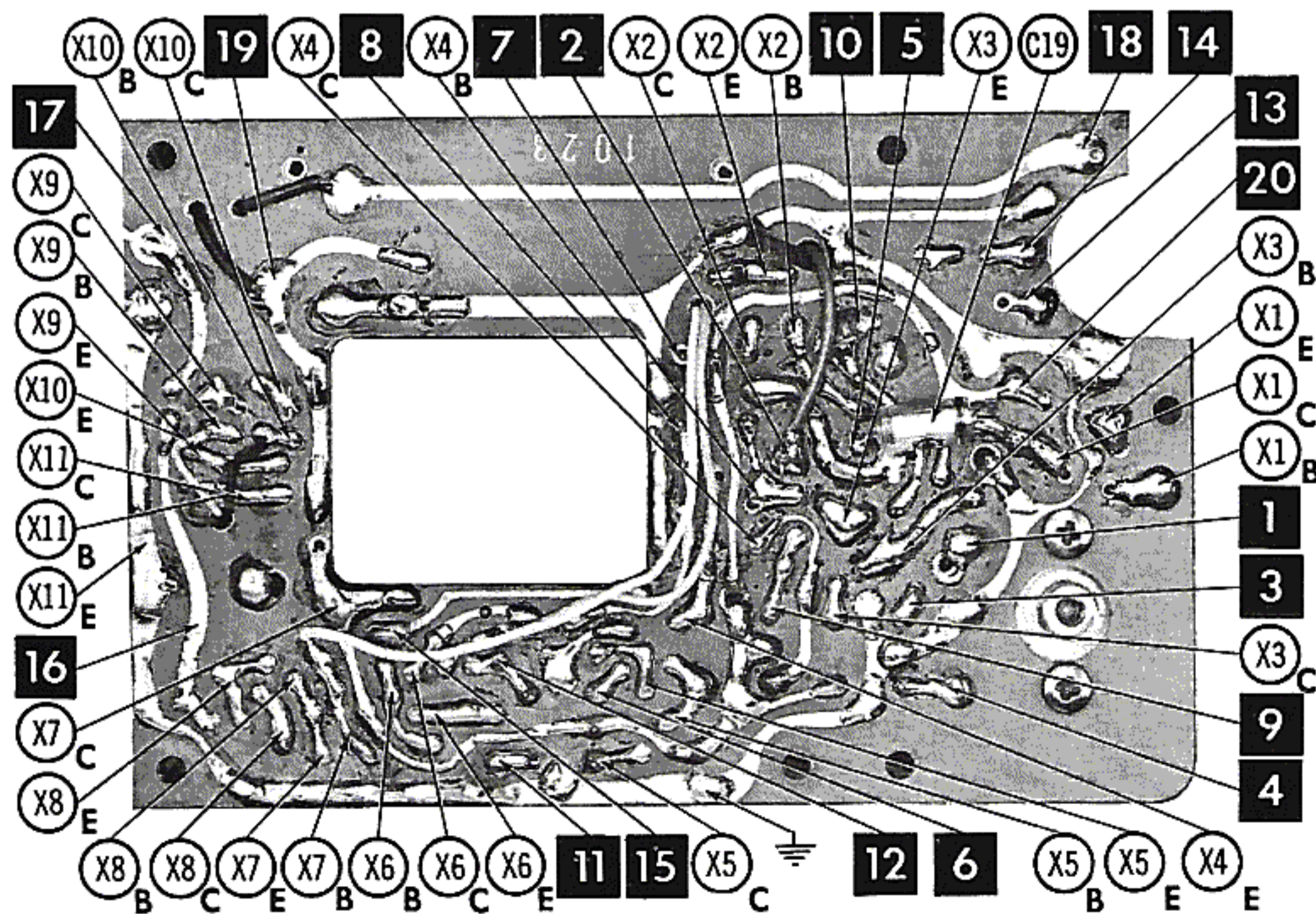
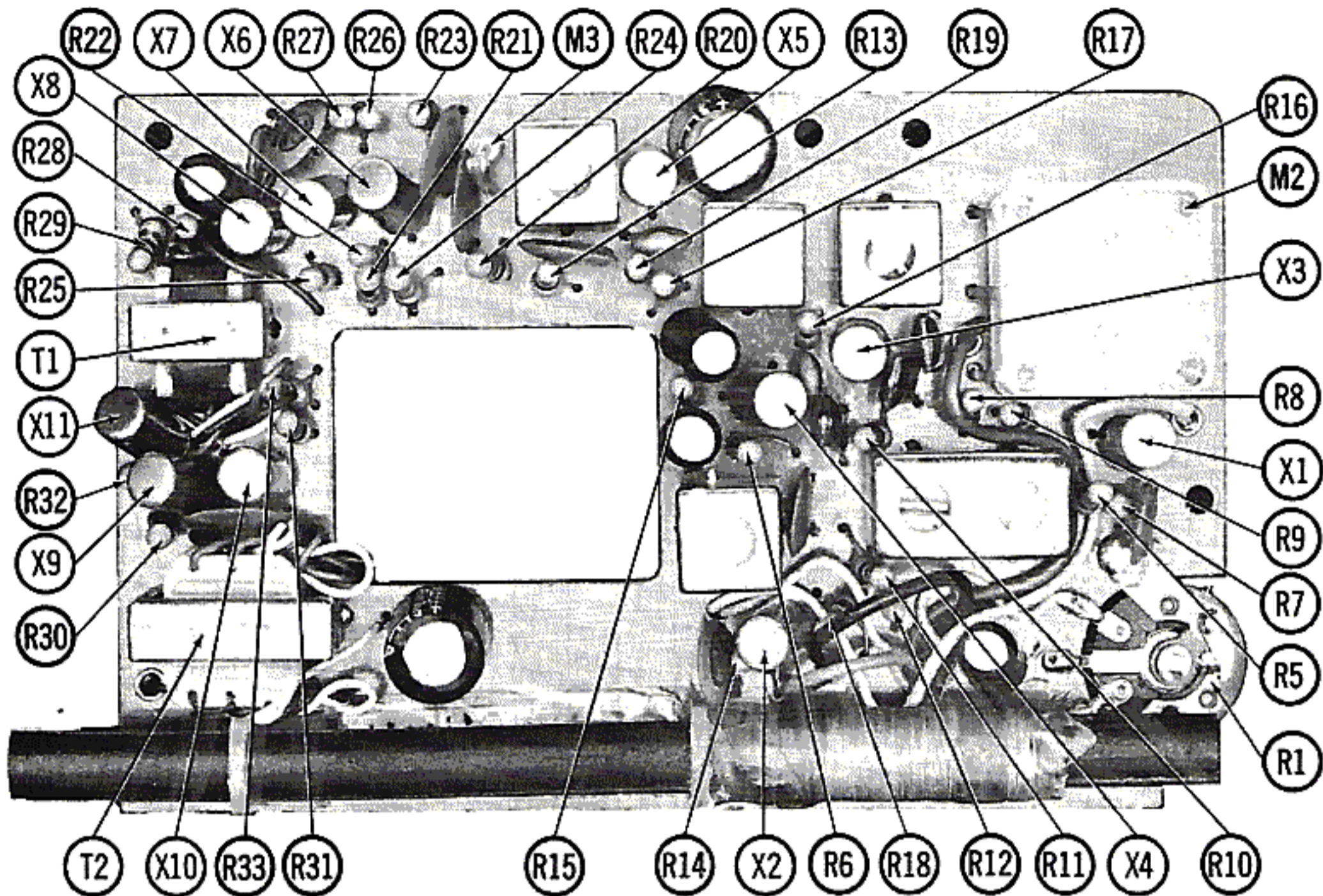


1. Voltage measurements taken with vacuum tube voltmeter.
2. All controls set for normal operation, no signal applied.
3. Measured values are from socket pin or terminal to common ground.
4. All terminals viewed from bottom unless otherwise designated.
5. Numbers assigned to terminals may not be found on the unit.
6. Supply voltage maintained at rated value for voltage readings.
7. Resistance measurements not given because of the wide variation in internal resistance of transistor.

A PHOTOFACT STANDARD NOTATION SCHEMATIC
with **CIRCUITRACE**

©Howard W. Sams & Co., Inc. 1963

LAFAYETTE MODEL FS-129



TRANSISTORS

ITEM No.	ORIG. TYPE	USE	REPLACEMENT DATA			NOTES
			DELCO PART No.	GENERAL ELECTRIC PART No.	RCA PART No.	
X1	2SA85	RF Amplifier	DS-25	GE-1		PNP
X2	2SA15	Mixer	DS-25	GE-1	2N412	PNP
X3	2SA12	Oscillator	DS-25	GE-1	2N410	PNP
X4	2SA12	1st IF Amplifier	DS-25	GE-1	2N410	PNP
X5	2SA12	2nd IF Amplifier	DS-25	GE-1	2N410	PNP
X6	2SB75	AVC	DS-26	GE-2	2N406	PNP
X7	2SB75	AF Amplifier	DS-26	GE-2	2N406	PNP
X8	2SB75	Driver	DS-26	GE-2	2N406	PNP
X9	2SB77	Output	DS-26	GE-2	2N408	PNP
X10	2SB77	Output	DS-26	GE-2	2N408	PNP
X11	HV-15	Bias Regulator			1N2326	PNP

ELECTROLYTIC CAPACITORS

ITEM No.	RATING		REPLACEMENT DATA						
	CAP.	VOLT.	Lafayette PART No.	AEROVOX PART No.	CORNELL-DUBILIER PART No.	GENERAL ELECTRIC PART No.	GENERAL INSTRUMENT PART No.	MALLORY PART No.	SPRAGUE PART No.
C1	100	6		BCD6100	ECPB117	MT1-18	MLV100-6	TT6X100	TE-1102
C2	100	6		BCD6100	ECPB117	MT1-18	MLV100-6	TT6X100	TE-1102
C3	30	6		BCD6025	ECPB412	MT1-13	MLV30-6	TT6X30	VL-1092
C4	30	6		BCD6025	ECPB412	MT1-13	MLV30-6	TT6X30	VL-1092
C5	30	6		BCD6025	ECPB412	MT1-13	MLV30-6	TT6X30	VL-1092
C6	30	6		BCD6025	ECPB412	MT1-13	MLV30-6	TT6X30	VL-1092

FIXED CAPACITORS

ITEM No.	RATING	REMARKS	REPLACEMENT DATA					
			AEROVOX PART No.	CENTRALAB PART No.	CORNELL-DUBILIER PART No.	ELMENCO PART No.	MALLORY PART No.	SPRAGUE PART No.
C10	.01		TTD-01	CK-103	H2		TA-110	TG-S10
C11	.01		TTD-01	CK-103	H2		TA-110	TG-S10
C12	.01		TTD-01	CK-103	H2		TA-110	TG-S10
C13	.01		TTD-01	CK-103	H2		TA-110	TG-S10
C14	.01		TTD-01	CK-103	H2		TA-110	TG-S10
C15	.01		TTD-01	CK-103	H2		TA-110	TG-S10
C16	5		NPO-DI 5.0	DTZ-4R7	C10V5C	CCTO-050	CNO-547	10TCC-V50
C17	.02		TTD-02	CK-203	H3		TA-120	TG-S20
C18	8		NPO-SI 8.2		C10V8C			10TCC-V80
C19	150		SI 150	D6-151	LA10T15	CCD-151	GP350	10TS-T15
C20	.04		TTD-05	CK-503	H5		TA-150	TG-S50
C21	.04		TTD-05	CK-503	H5		TA-150	TG-S50
C22	.005		TTD-005	CK-502	H1		TA-250	TG-D50
C23	.04		TTD-05	CK-503	H5		TA-150	TG-S50

CONTROLS

All wattages 1/2 watt, or less, unless otherwise listed.

ITEM No.	USE	RESISTANCE	REPLACEMENT DATA				
			Lafayette PART No.	CENTRALAB PART No.	CLAROSTAT PART No.	CTS-IRC PART No.	MALLORY PART No.
R1	Volume & Switch	5000Ω		B16-214 Ⓢ			

Ⓢ Use Original Knob.

COILS (RF-IF)

ITEM No.	USE	REPLACEMENT DATA					NOTES
		Lafayette PART No.	MERIT PART No.	MILLER PART No.	STANCOR PART No.	WORKMAN PART No.	
L1	Loopstick						
L2	RF						
L3	Osc.						
L4	1st IF		BC-574	2066	RTC-9266		
L5	2nd IF		BC-575	2067	RTC-9267		
L6	3rd IF		BC-576	2068	RTC-9268		

DESCRIPTION

TRANSFORMER (DRIVER)

ITEM No.	TURNS RATIO		REPLACEMENT DATA					NOTES
	PRI.	SEC.	Lafayette PART No.	MERIT PART No.	STANCOR PART No.	THORDARSON PART No.	TRIAD PART No.	
T1	1.7	1						

TRANSFORMER (AUDIO OUTPUT)

ITEM No.	IMPEDANCE		REPLACEMENT DATA					NOTES
	PRI.	SEC.	Lafayette PART No.	MERIT PART No.	STANCOR PART No.	THORDARSON PART No.	TRIAD PART No.	
T2	360 Ω	8-10 Ω						

SPEAKER

ITEM No.	TYPE	REPLACEMENT DATA		NOTES
		Lafayette PART No.	QUAM PART No.	
SP1	2 3/4" PM 8-10 Ω		27A06Z8	

BATTERIES

ITEM No.	VOLTAGE	Lafayette PART No.	REPLACEMENT DATA			NOTES
			BURGESS	EVEREADY	MALLORY	
M1	6V		930 (or AL-9, Hg-9)	1015 (or E91, E9)	M-15R (or MN1500, ZM-9)	4 Required

MISCELLANEOUS

ITEM No.	PART NAME	Lafayette PART No.	NOTES
M2 M3	Tuning Cap. Detector (1N34A)		

WIRING DATA

General-use Unshielded Hook-up Wire Use BELDEN No. 8530 (Solid 22AWG) Available in 12 Colors
 8524 (Stranded 22AWG)
 8570 (Stranded 26AWG)

DIAL CORD STRINGING

