

PHOTOFACT* Folder

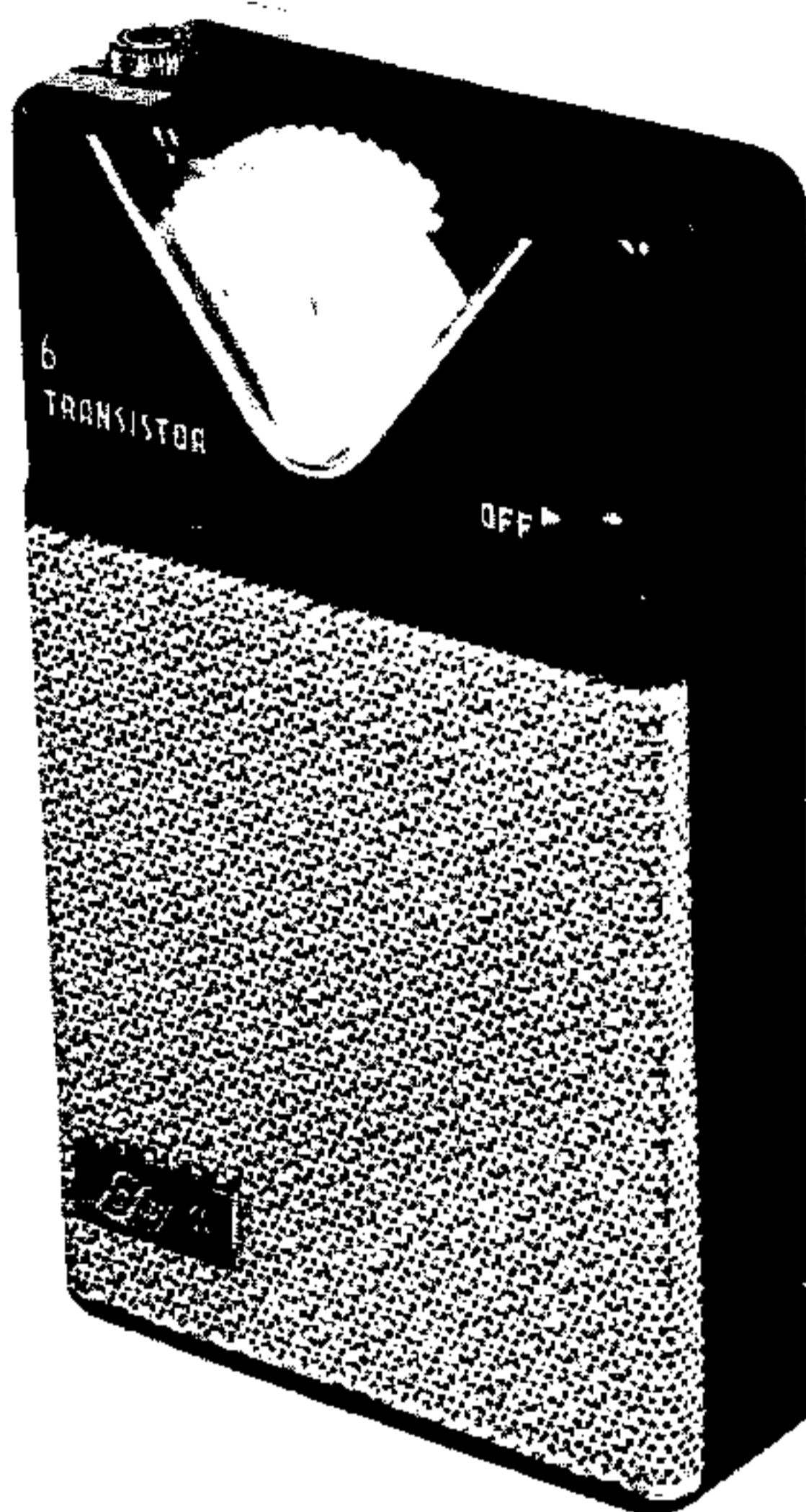
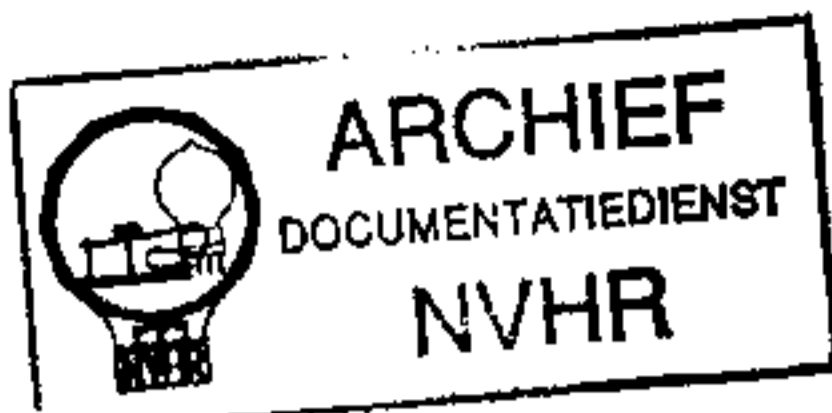


LAFAYETTE MODEL FS-112

with **CIRCUITRACE***

Met dank aan Jef Bos

Ned. Ver. v. Historie v/d Radio



TRADE NAME	Lafayette Model FS-112		
SUPPLIER	Lafayette Radio, 165-08 Liberty Ave., Jamaica 33, N. Y.		
TYPE SET	Battery Operated Portable Transistorized AM Receiver		
POWER SUPPLY	9 Volts DC	RATING	6MA@9 Volts DC (No Signal, Min. Volume)
TUNING RANGE—BROADCAST	540 — 1620KC		7MA@9 Volts DC (Signal, Normal Volume)

ALIGNMENT INSTRUCTIONS

ALIGNMENT INSTRUCTIONS—READ CAREFULLY BEFORE ATTEMPTING ALIGNMENT

Volume control should be at maximum position. Output of signal generator should be no higher than necessary to obtain an output reading.

Suggested alignment tools:

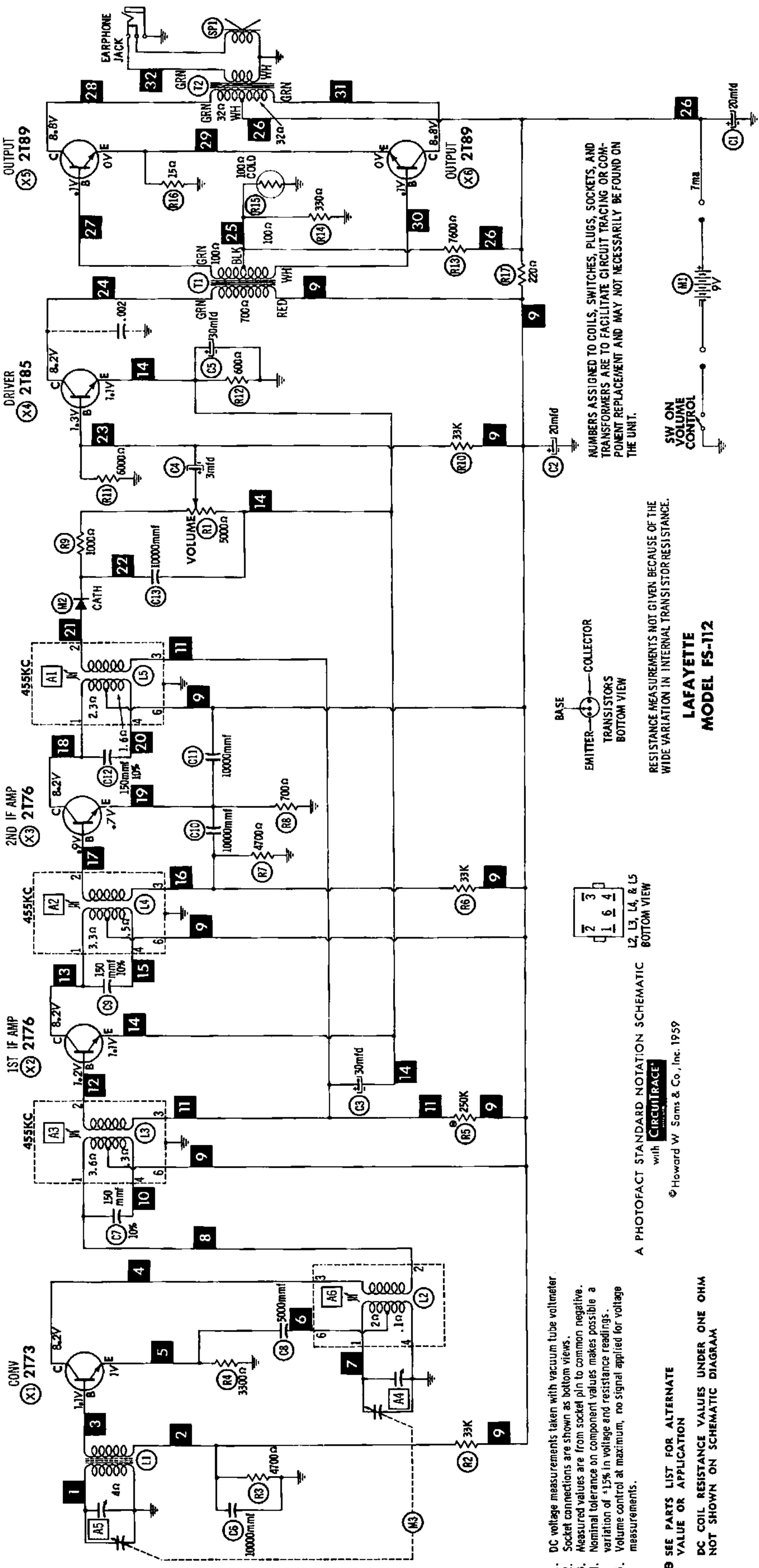
A1, A2, A3, A6.....	GENERAL CEMENT #8607, 9291 WALSCO #2520, 2522, 2523, 2524, 2537
A4, A5.....	GENERAL CEMENT #5000, 5003, 8276, 8290 WALSCO #2512, 2525

	DUMMY ANTENNA	SIGNAL GENERATOR COUPLING	SIGNAL GENERATOR FREQUENCY	RADIO DIAL SETTING	OUTPUT METER	ADJUST	REMARKS
1		Loop	455KC (400v Mod.)	Tuning gang fully open	Across voice coil	A1, A2, A3	Fashion loop of several turns of wire and radiate signal into loop of receiver. Adjust for maximum output.
2.		"	1620KC	"	"	A4, A5	"
3.		"	600KC	600KC	"	A6	Adjust for maximum output while rocking tuning gang.

HOWARD W. SAMS & CO., INC. Indianapolis 6, Indiana

The listing of any available replacement part herein does not constitute in any case a recommendation, warranty or guaranty by Howard W. Sams & Co., Inc., as to the quality and suitability of such replacement part. The numbers of these parts have been compiled from information furnished to Howard W. Sams & Co., Inc., by the manufacturers of JF297

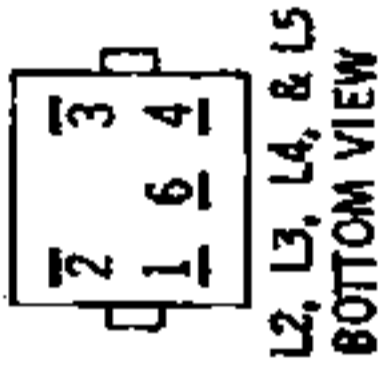
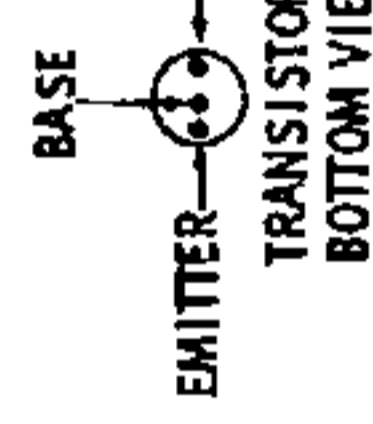
the particular type of replacement part listed. Reproduction or use, without express permission, of editorial or pictorial content, in any manner, is prohibited. No patent liability is assumed with respect to the use of the information contained herein. © 1959 Howard W. Sams & Co., Inc., Indianapolis 6, Indiana. Printed in U.S. of America



1. DC voltage measurements taken with vacuum tube voltmeter.
2. Socket connections are shown as bottom views.
3. Measured values are from socket pin to common negative.
4. Nominal tolerance on component values makes possible a variation of $\pm 15\%$ in voltage and resistance readings.
5. Volume control at maximum, no signal applied for voltage measurements.

SEE PARTS LIST FOR ALTERNATE VALUE OR APPLICATION

DC COIL RESISTANCE VALUES UNDER ONE OHM NOT SHOWN ON SCHEMATIC DIAGRAM



A PHOTOFACT STANDARD NOTATION SCHEMATIC with CIRCUITRACE

© Howard W. Sams & Co., Inc. 1959

NUMBERS ASSIGNED TO COILS, SWITCHES, PLUGS, SOCKETS, AND TRANSFORMERS ARE TO FACILITATE CIRCUIT TRACING OR COMPONENT REPLACEMENT AND MAY NOT NECESSARILY BE FOUND ON THE UNIT.



LAFAYETTE
MODEL FS-112

RESISTANCE MEASUREMENTS NOT GIVEN BECAUSE OF THE WIDE VARIATION IN INTERNAL TRANSISTOR RESISTANCE.



PARTS LIST AND DESCRIPTIONS

TRANSISTORS

ITEM No.	ORIG. TYPE	USE	REPLACEMENT DATA				NOTES
			CBS PART No.	RCA PART No.	RAYTHEON PART No.	SYLVANIA PART No.	
X1	2T73	Converter					NPN
X2	2T76	1st IF Amplifier					NPN
X3	2T76	2nd IF Amplifier					NPN
X4	2T85	Driver					NPN
X5	2T89	Output					NPN
X6	2T89	Output					NPN Matched Pair

ELECTROLYTIC CAPACITORS

ITEM No.	RATING		REPLACEMENT DATA						NOTES
	CAP.	VOLT.	LAFAYETTE PART No.	AEROVOX PART No.	CORNELL-DUBILIER PART No.	MALLORY PART No.	PYRAMID PART No.	SPRAGUE PART No.	
C1	20	10		XPP-10020	EC20-15	TT15X20	ML20-15	TE-1130	
C2	20	10		XPP-10020	EC20-15	TT15X20	ML20-15	TE-1130	
C3	30	3		XPP-3030	EC30-6	TT6X30	ML30-6	TE-1092	
C4	3	6		XPP-6003	NLW3-6	TT6X3	ML4-6	TE-1082	
C5	30	3		XPP-3030	EC30-6	TT6X30	ML30-6	TE-1092	

FIXED CAPACITORS

Capacity values given in the rating column are in mfd. for Paper Capacitors, and in mmfd. for Mica and Ceramic Capacitors.

ITEM No.	RATING			REPLACEMENT DATA						NOTES
	CAP.	VOLT	TOL	LAFAYETTE PART No.	AEROVOX PART No.	CENTRALAB PART No.	CORNELL-DUBILIER PART No.	MALLORY PART No.	SPRAGUE PART No.	
C6	10000				BPD-01	DM-103	H-05S1	TA-110	TG-S10	
C7	150		10%		NPO-SI 150	D6-151	L10T15	ZT-5315	5GA-T15S 10%*	
C8	5000				BPD-005	DM-502	H-05D5	TA-250	TG-D50	
C9	150		10%		NPO-SI 150	D6-151	L10T15	ZT-5315	5GA-T15S 10%*	
C10	10000				BPD-01	DM-103	H-05S1	TA-110	TG-S10	
C11	10000				BPD-01	DM-103	H-05S1	TA-110	TG-S10	
C12	150		10%		NPO-SI 150	D6-151	L10T15	ZT-5315	5GA-T15S 10%*	
C13	10000				BPD-01	DM-103	H-05S1	TA-110	TG-S10	

* Not normally in distributor's stock. Available thru distributor on order to manufacturer.

CONTROLS

ITEM No.	RATING		REPLACEMENT DATA					INSTALLATION NOTES
	RESISTANCE	WATTS	LAFAYETTE PART No.	CENTRALAB PART No.	CLAROSTAT PART No.	IRC PART No.	MALLORY PART No.	
R1	5000Ω	1/4		B16-214				Volume & Switch

RESISTORS

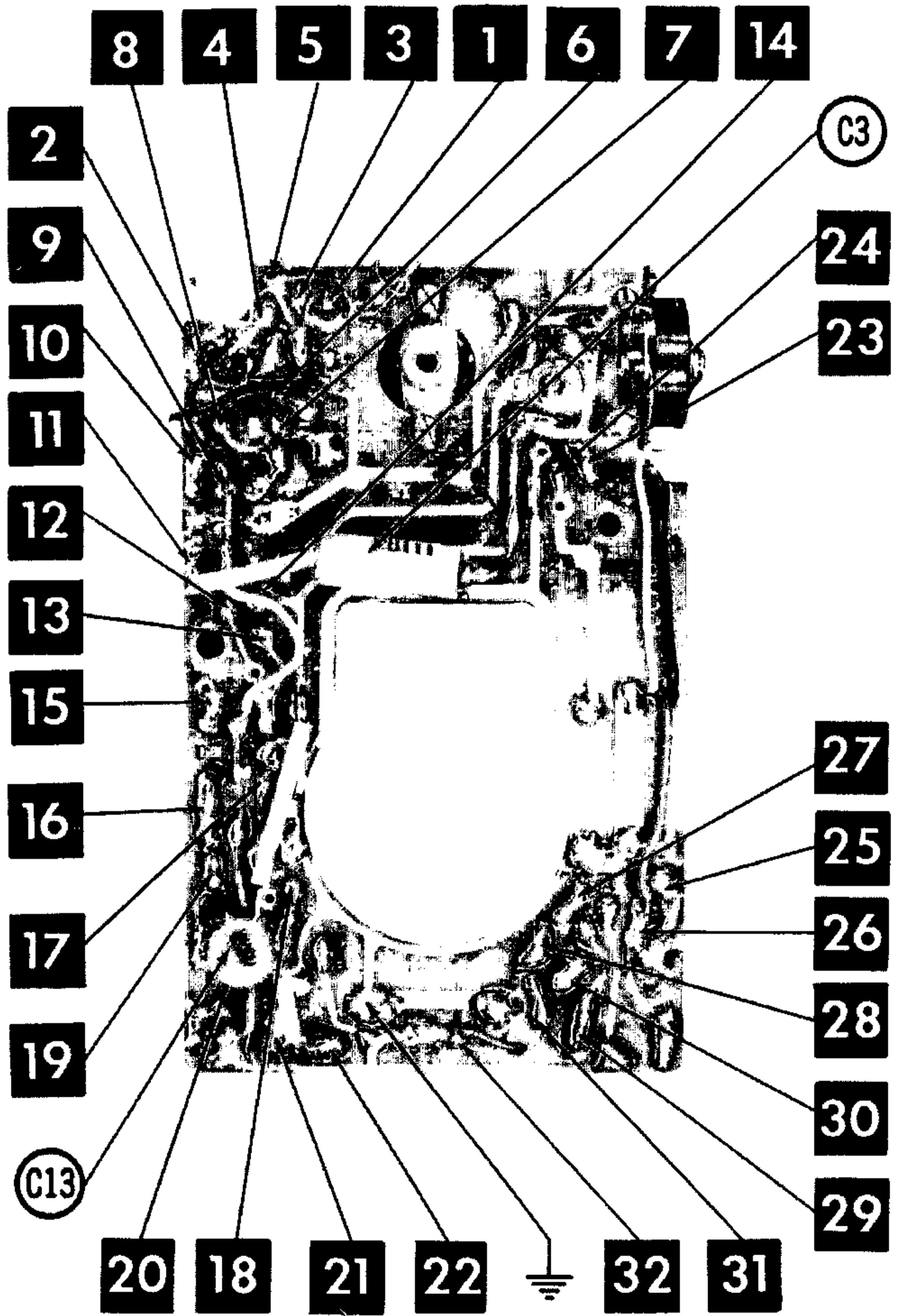
All wattages 1/2 watt, or less, unless otherwise listed.

ITEM No.	RATING	REMARKS	ITEM No.	RATING	REMARKS	ITEM No.	RATING	REMARKS
R2	33K		R7	4700Ω		R12	600Ω	
R3	4700Ω		R8	700Ω		R13	7600Ω	
R4	3300Ω		R9	1000Ω		R14	330Ω	
R5	250K	(300K) *	R10	33K		R15	100Ω Cold	
R6	33K		R11	6000Ω		R16	15Ω	
						R17	220Ω	

* Alternate

PRINTED BOARD

A Howard W. Sams **CIRCUITRACE** Photo



PARTS LIST AND DESCRIPTIONS (Continued)

COILS (RF-IF)

ITEM No.	USE	REPLACEMENT DATA						NOTES
		LAFAYETTE PART No.	Gramer PART No.	Meissner PART No.	Merit PART No.	Miller PART No.	Ram PART No.	
L1	Loopstick Osc. Coil 1st IF Trans. 2nd IF Trans. 3rd IF Trans.							
L2								
L3								
L4								
L5								

TRANSFORMER (DRIVER)

ITEM No.	TURNS RATIO		REPLACEMENT DATA					NOTES	
	PRI.	SEC.	LAFAYETTE PART No.	Halldorson PART No.	Merit PART No.	Stancor PART No.	Thordarson PART No.		Triad PART No.
T1	1.5	1	R-8202	TR-4		TA-28	TR-4	T-41X	

TRANSFORMER (AUDIO OUTPUT)

ITEM No.	IMPEDANCE		REPLACEMENT DATA						NOTES	
	PRI.	SEC.	LAFAYETTE PART No.	Halldorson PART No.	Merit PART No.	Ram PART No.	Stancor PART No.	Thordarson PART No.		Triad PART No.
T2	300Ω CT	6-8Ω	R-8201							

SPEAKER

ITEM No.	TYPE			REPLACEMENT DATA		NOTES
	SIZE	FIELD	V. C. IMP.	LAFAYETTE PART No.	QUAM PART No.	
SP1	2"	PM	6-8Ω			

BATTERIES

ITEM No.	VOLTAGE	LAFAYETTE PART No.	REPLACEMENT DATA						NOTES
			BURGESS		EVEREADY		MALLORY		
			"A"	"B"	"A"	"B"	"A"	"B"	
M1	9V			2U6		216		TR-146R	

CRYSTAL DIODES

ITEM No.	ORIG. TYPE	LAFAYETTE PART No.	REPLACEMENT DATA			NOTES
			CBS PART No.	RAYTHEON PART No.	SYLVANIA PART No.	
M2			1N60	1N60	1N295	Detector (Pigtail)

MISCELLANEOUS

ITEM No.	PART NAME	LAFAYETTE PART No.	NOTES
M3	Tuning Cap		2 Gang (Ant. 5.5 - 74.5mmf, Osc. 6 - 77.5mmf)

WIRING DATA

General-use Unshielded Hook-up Wire Use BELDEN No. 8530 (Solid) Available in Ten Colors
8524 (Stranded) Available in Ten Colors

CHASSIS—TOP VIEW

