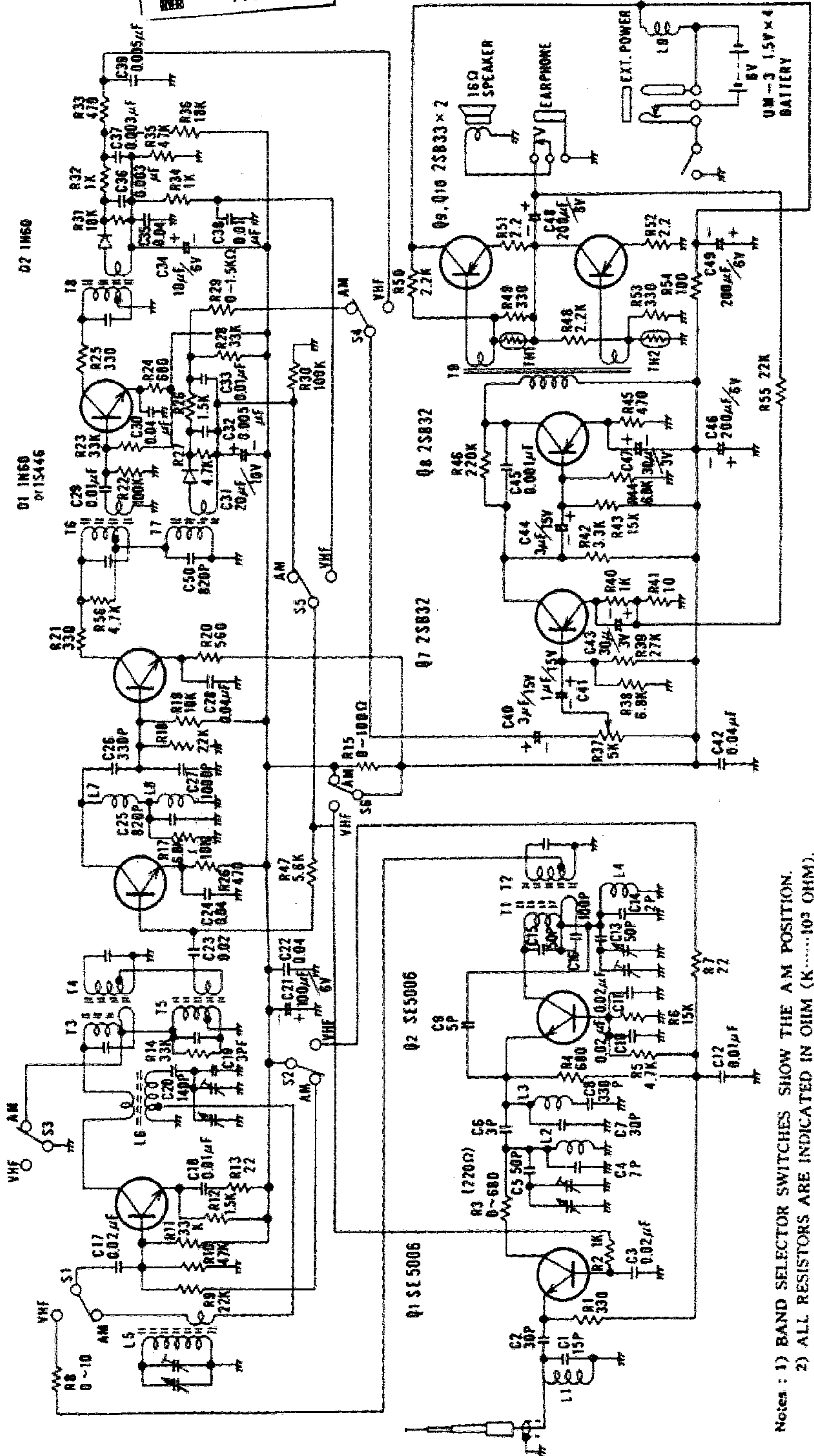


Q3 2SC460 Q4 2SC460 Q5 2SC460 Q6 2SC460



- Notes :
- 1) BAND SELECTOR SWITCHES SHOW THE AM POSITION.
  - 2) ALL RESISTORS ARE INDICATED IN OHM (K.....10<sup>3</sup> OHM).
  - 3) ALL CAPACITORS ARE INDICATED IN  $\mu$ F (P.....10<sup>-6</sup>  $\mu$ F).